



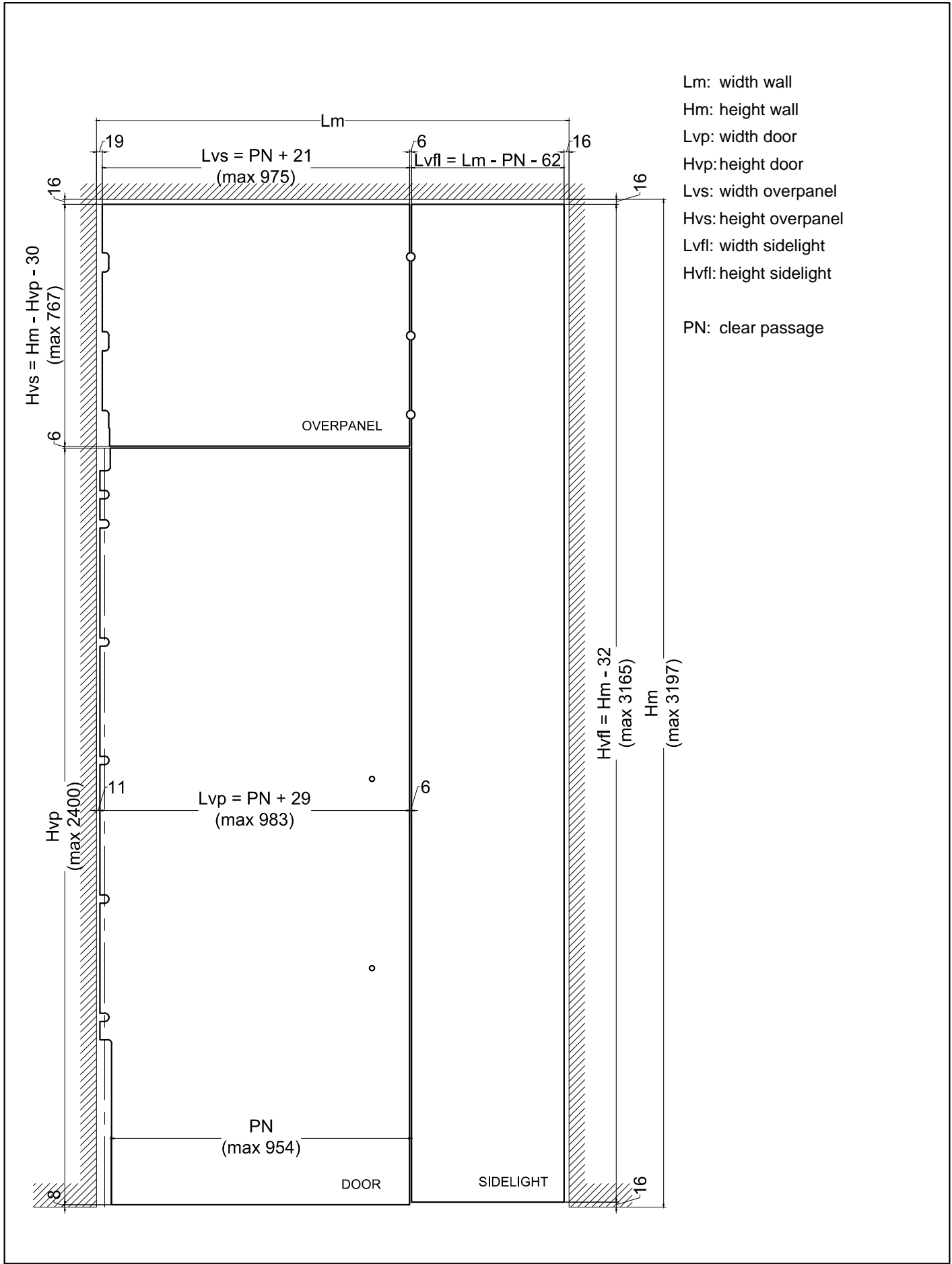
ALFA SRL

ZENITH D - TECHNICAL CATALOGUE

update 1.1
06/2011

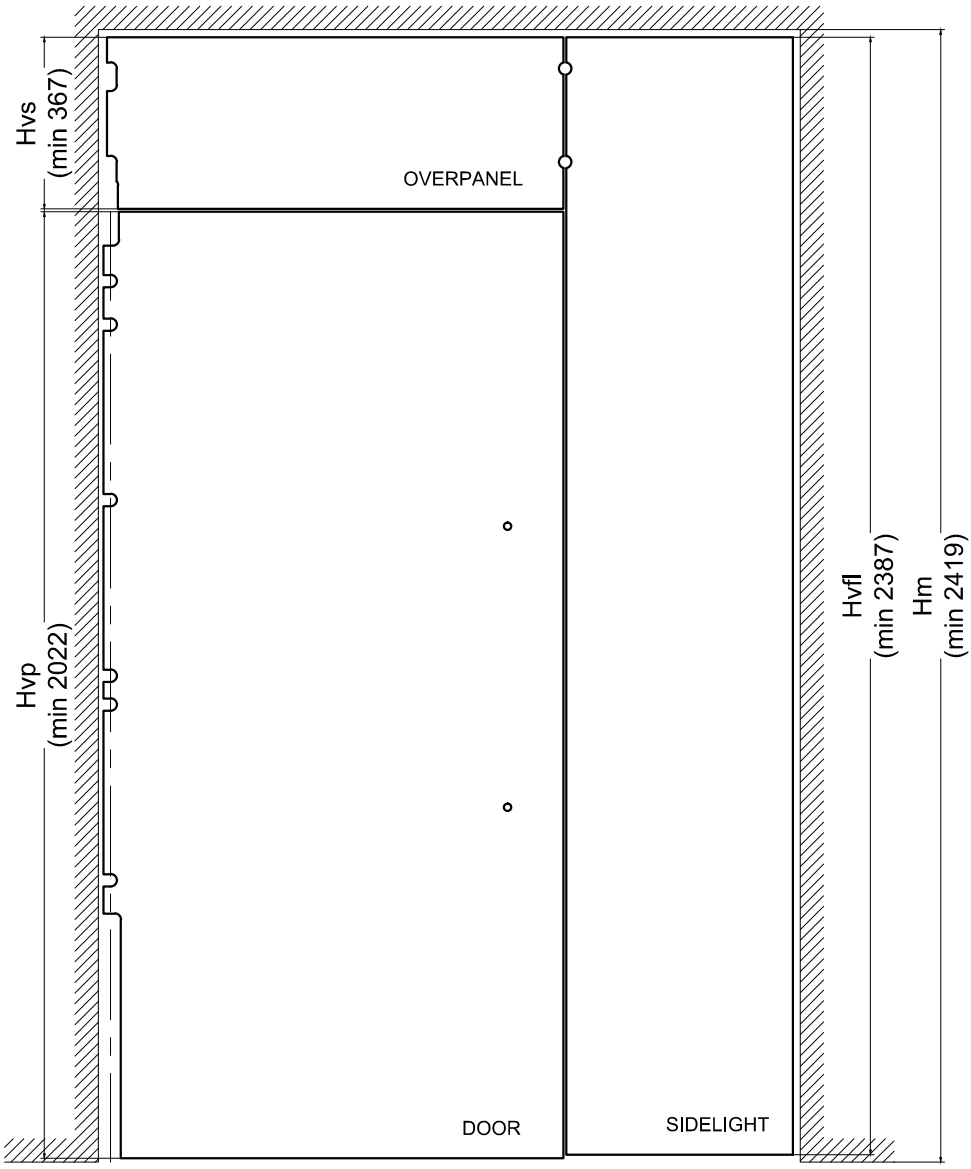
CT.D4.00

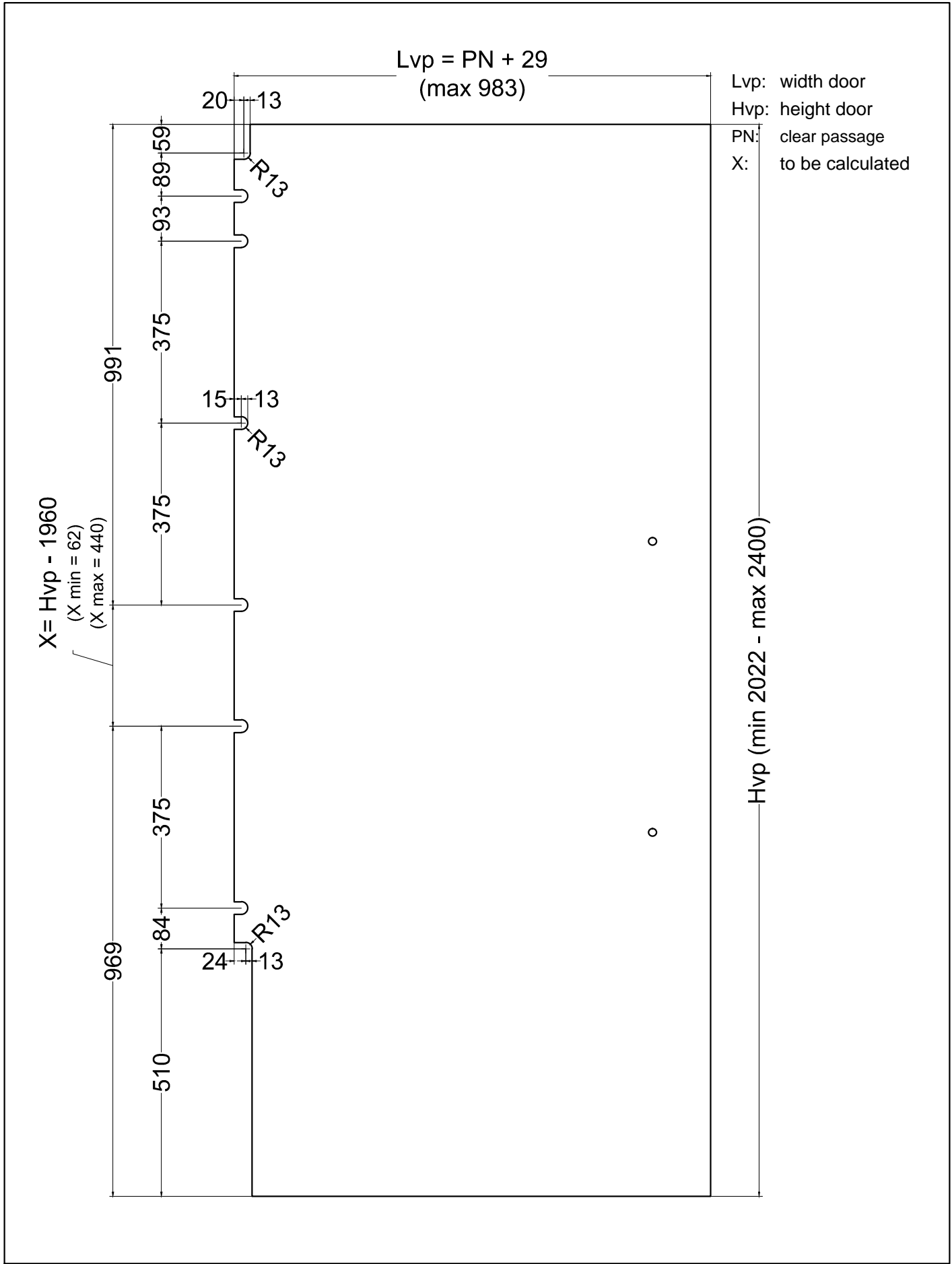
- ZENITH D4 -
TECHNICAL CATALOGUE
GLASS DOOR WITH OVERPANEL AND SIDELIGHT



| | |
|----------|--------------------------------|
| CT.D4.01 | ZENITH D4 - MAXIMUM DIMENSIONS |
|----------|--------------------------------|

Hm: height wall
Hvp: height door
Hvs: height overpanel
Hvfl: height sidelight





| | |
|----------|--------------------------------|
| CT.D4.03 | ZENITH D4 - WORKING GLASS DOOR |
|----------|--------------------------------|

Lvs: top width glass overpanel

Hvs: height glass overpanel

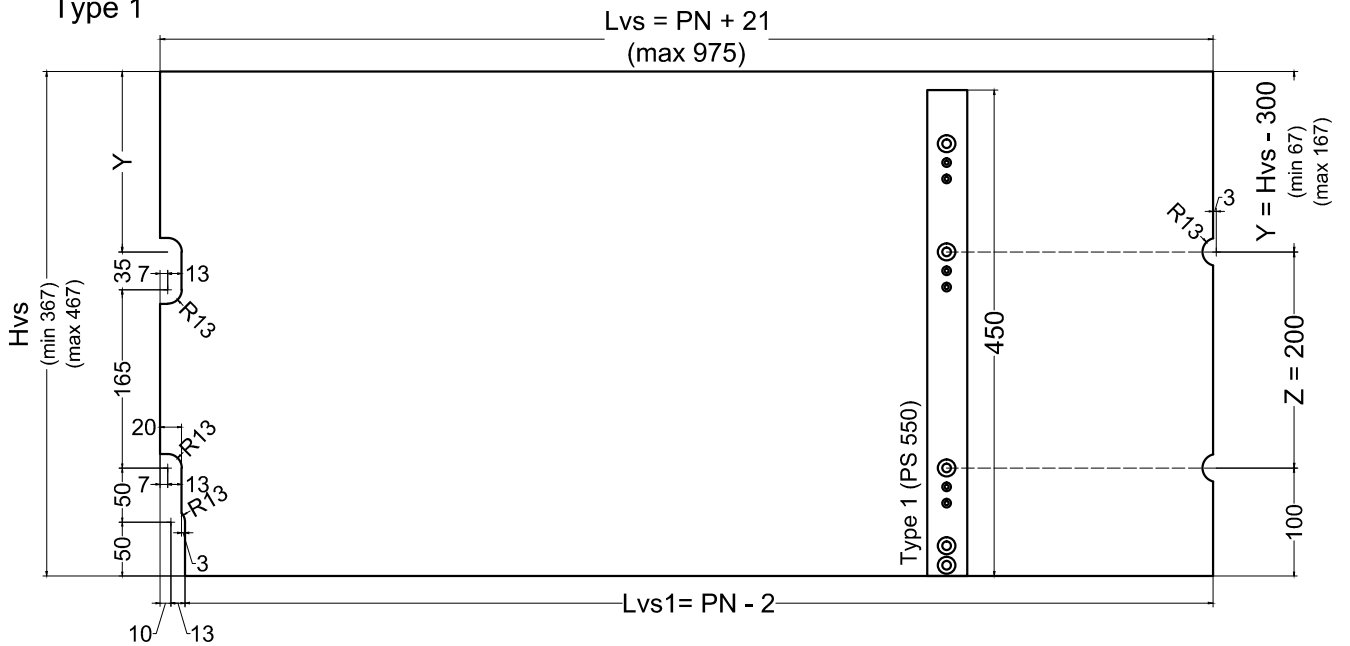
Lvs1: bottom width glass overpanel

Y: to be calculated

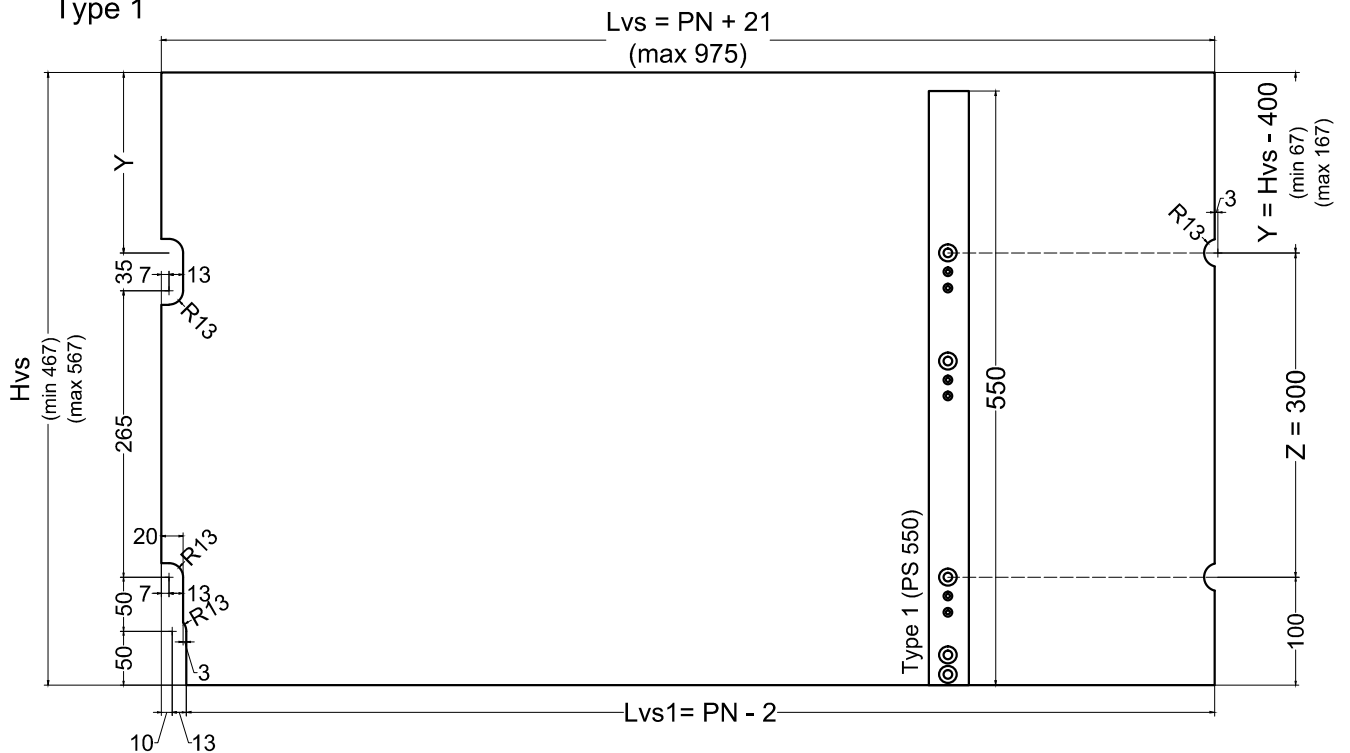
PN: clear passage

Z: distance between holes

ALUMINIUM BAR Type 1



ALUMINIUM BAR Type 1



CT.D4.04

ZENITH D4 - WORKING GLASS FOR OVERPANEL
(FROM MIN mm 367 TO MAX mm 567)

Lvs: top width glass overpanel

Hvs: height glass overpanel

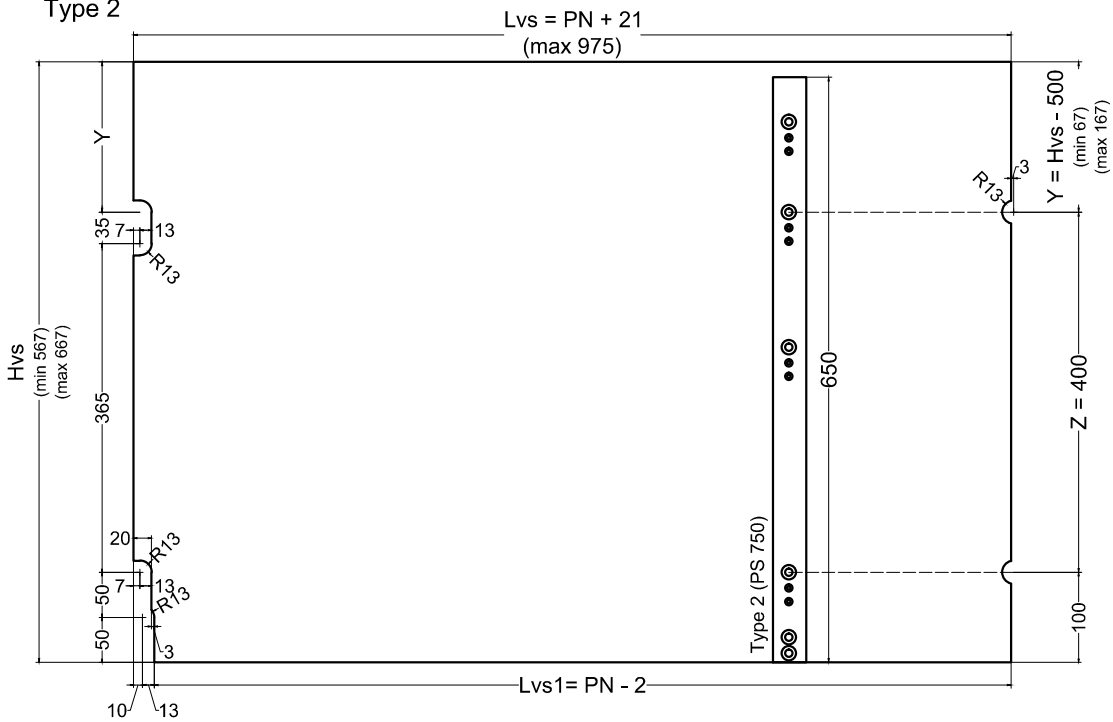
Lvs1: bottom width glass overpanel

Y: to be calculated

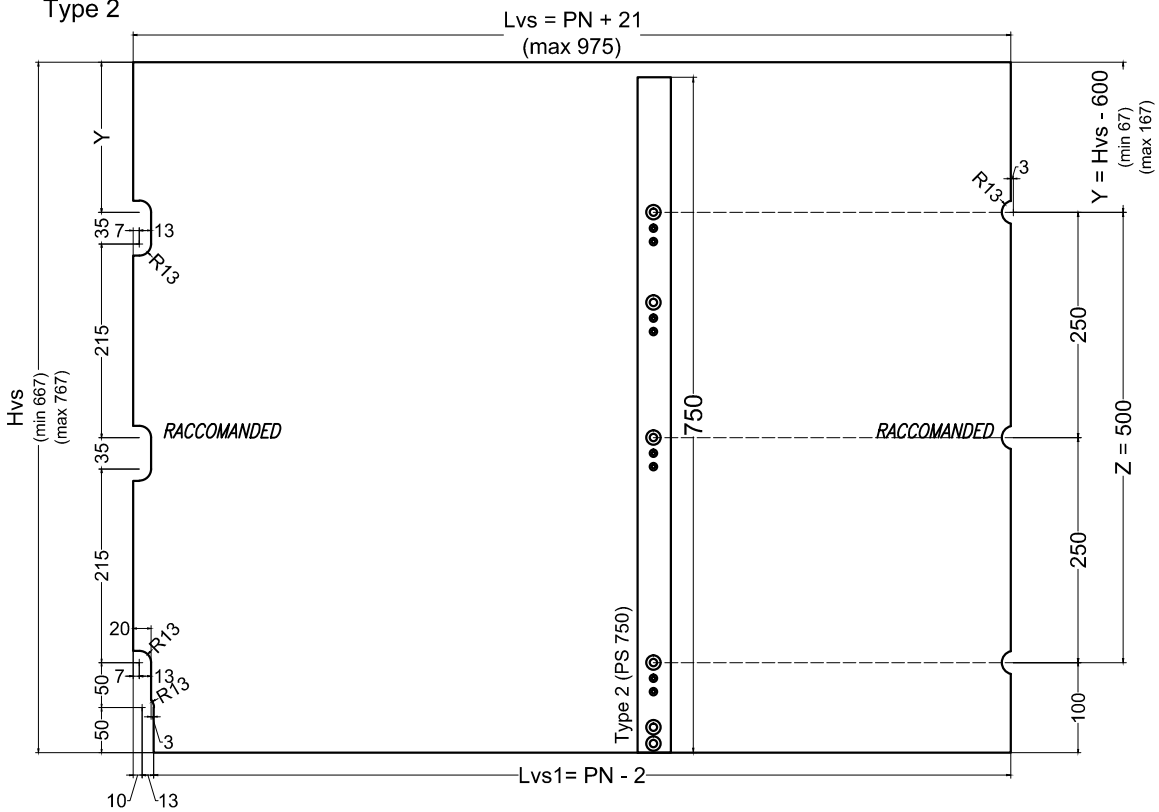
PN: clear passage

Z: distance between holes

ALUMINIUM BAR
Type 2



ALUMINIUM BAR
Type 2



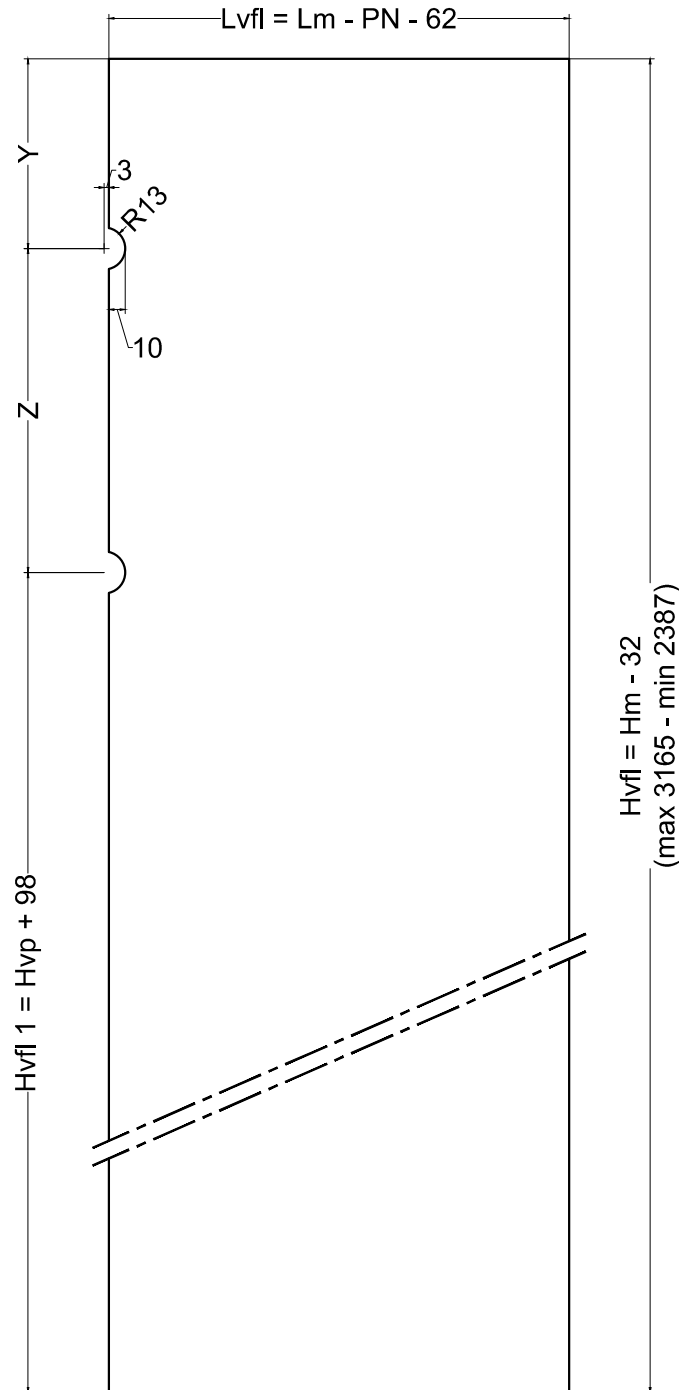
CT.D4.05

ZENITH D4 - WORKING GLASS FOR OVERPANEL
(FROM MIN mm 567 TO MAX mm 767)

Lm: width wall
Hm: height wall
Hvp: height glass door
PN: clear passage

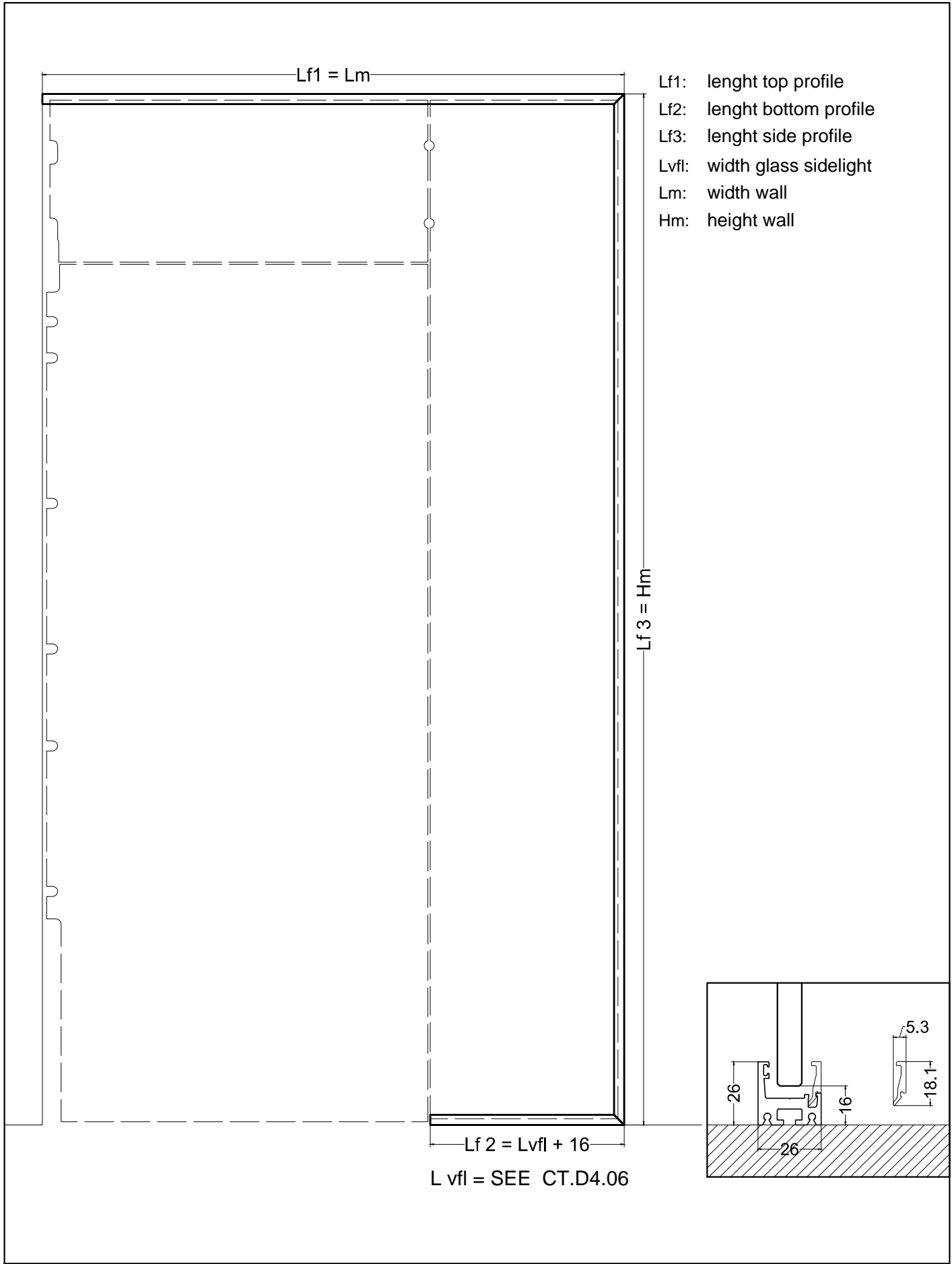
Lvfl: width glass sidelight
Hvfl: height glass sidelight right
Hvfl1: height glass sidelight left

Y, Z = SEE CT.D4.04 / CT.D4.05



CT.D4.06

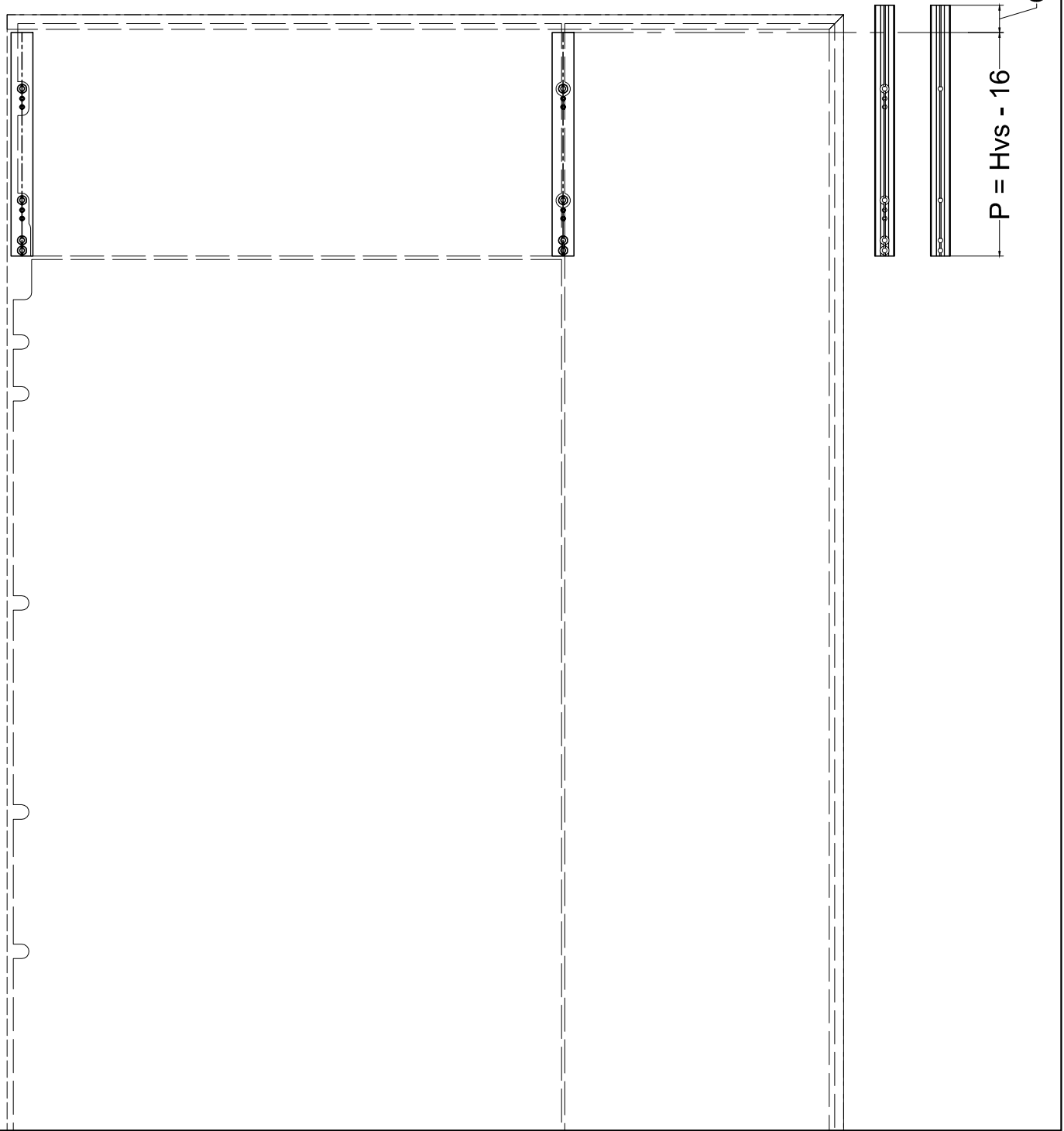
ZENITH D4 - WORKING GLASS SIDELIGHT



| | |
|----------|--|
| CT.D4.07 | ZENITH D4 - CUTTING OF PROFILE FOR FIXED GLASS PANEL |
|----------|--|

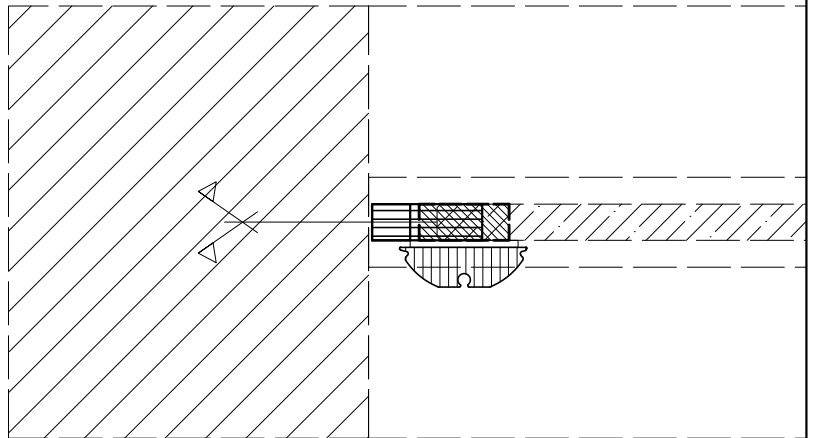
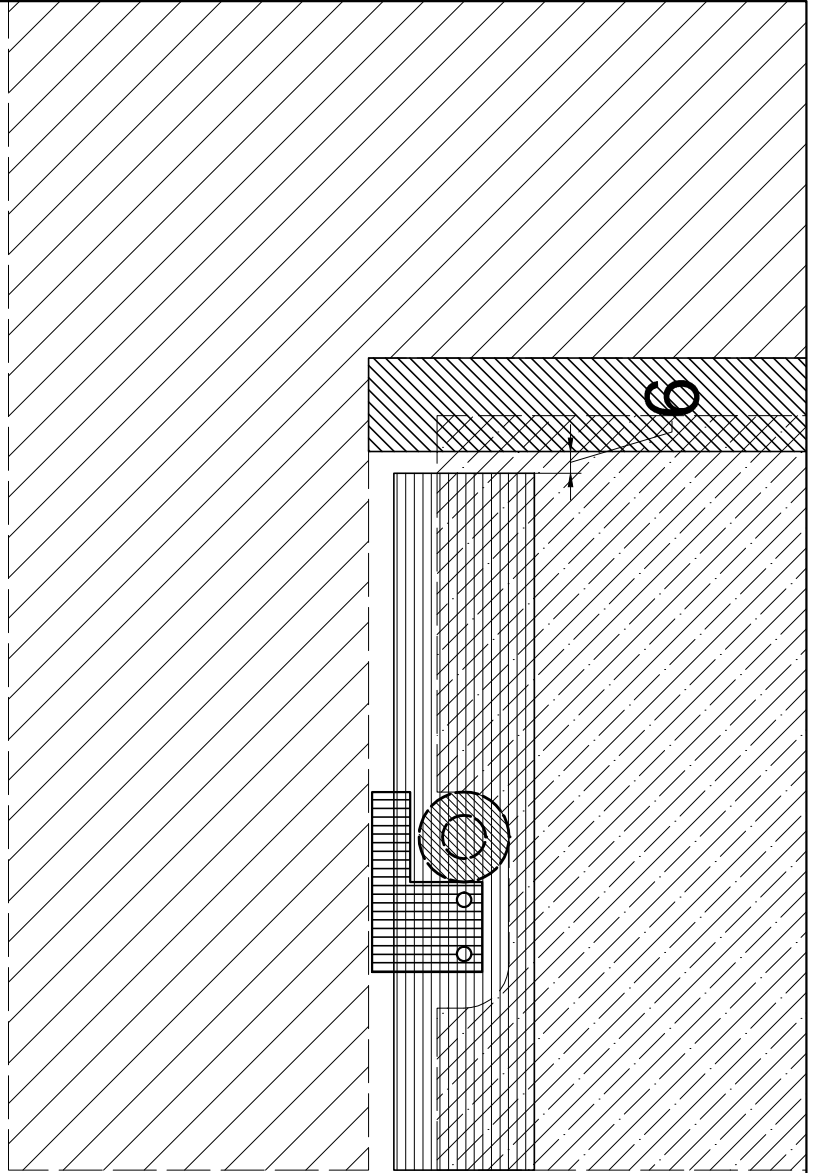
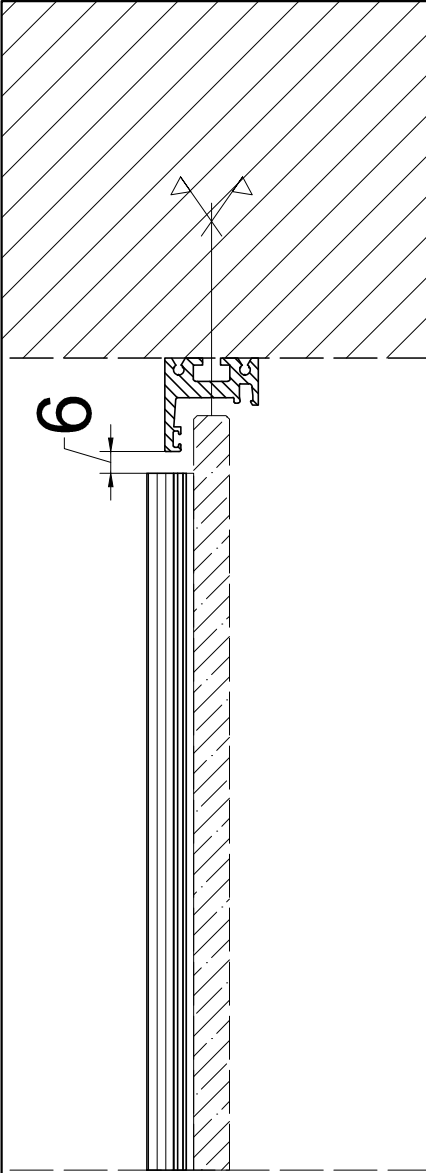
P: length aluminium bar
Hvs: height glass overpanel

Hvs = SEE CTD.2.4 / CTD.2.5



CT.D4.08

ZENITH D4 - CUTTING ALUMINIUM BAR



CT.D4.09

ZENITH D4 - INSTRUCTION TO INSTALL ALUMINIUM BAR AND BRACKETS