



ALFA SRL

ZENITH SC - INSTALLATION INSTRUCTIONS

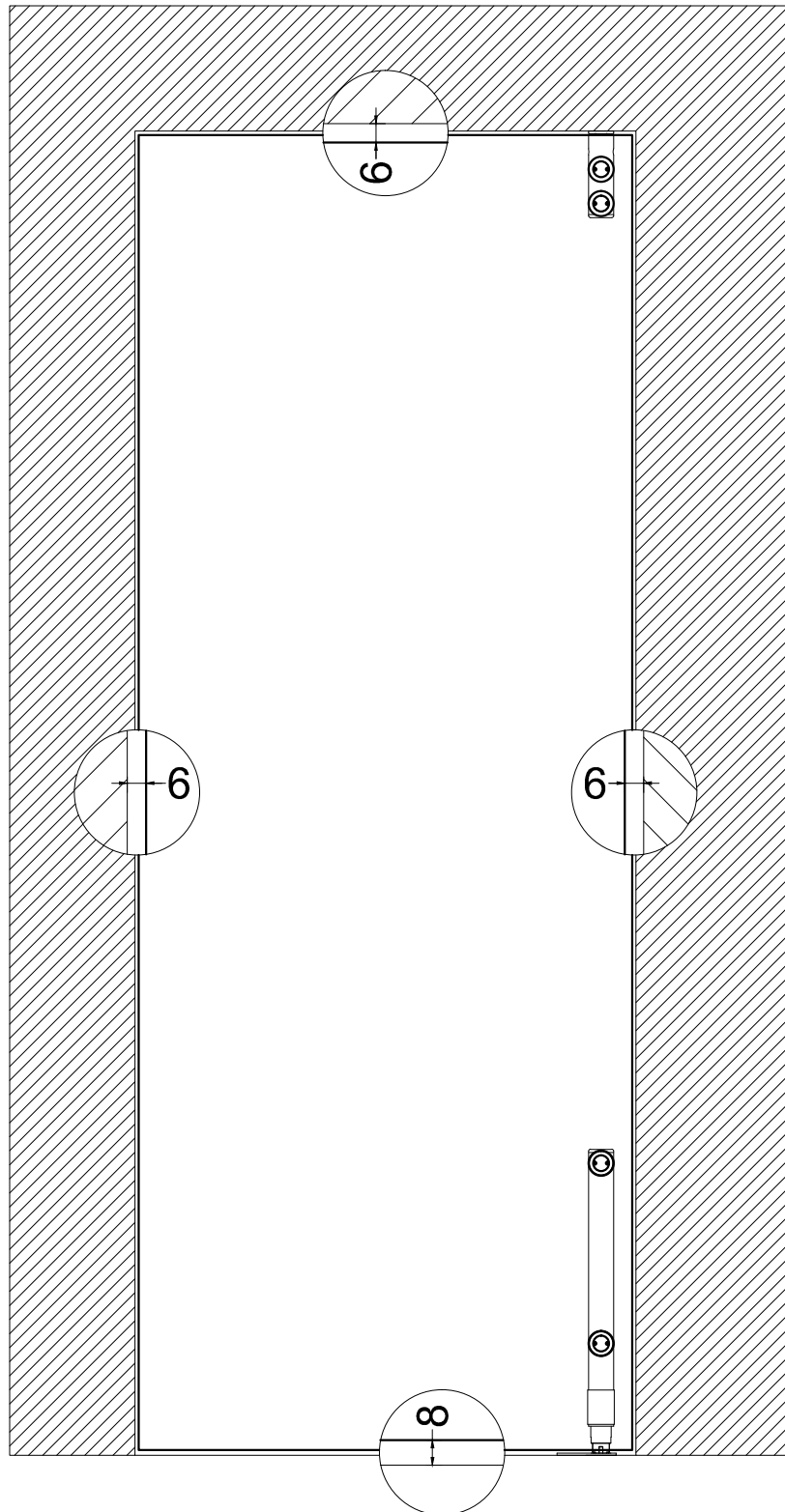
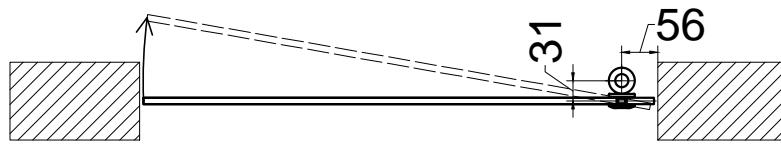
update 2.1
06/2018

GLASS DOOR

solutions SC1 and SSC1
with bottom plate

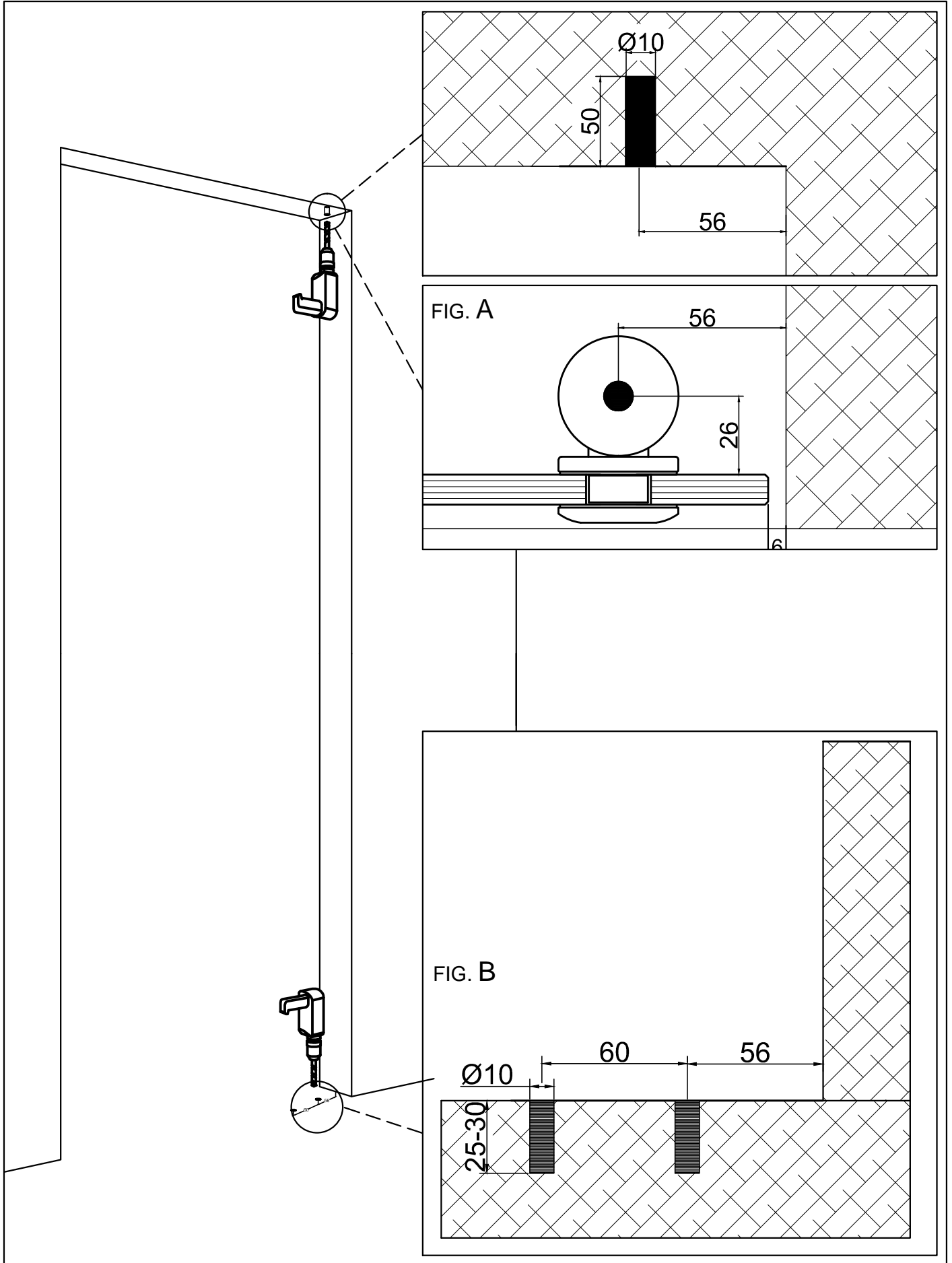
SC1.00

ZENITH SC1 - SSC1
INSTALLATION INSTRUCTIONS
GLASS DOOR



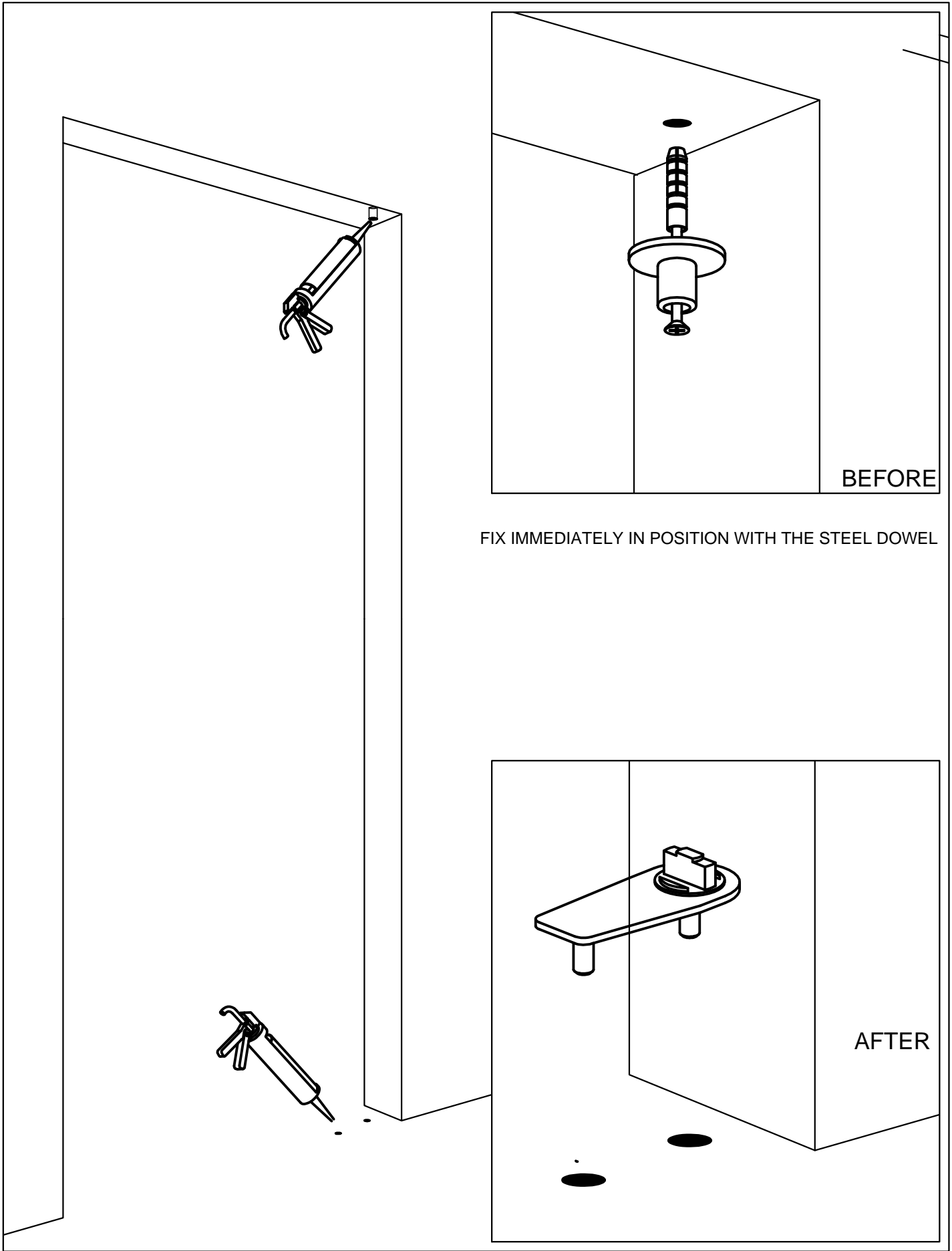
SC1.01

ZENITH SC - APPLICATION NOT IN AXLE ON SINGLE GLASS DOOR



SC1.02

ZENITH SC - HOLE FOR TOP AND BOTTOM WALL ACCESSORY



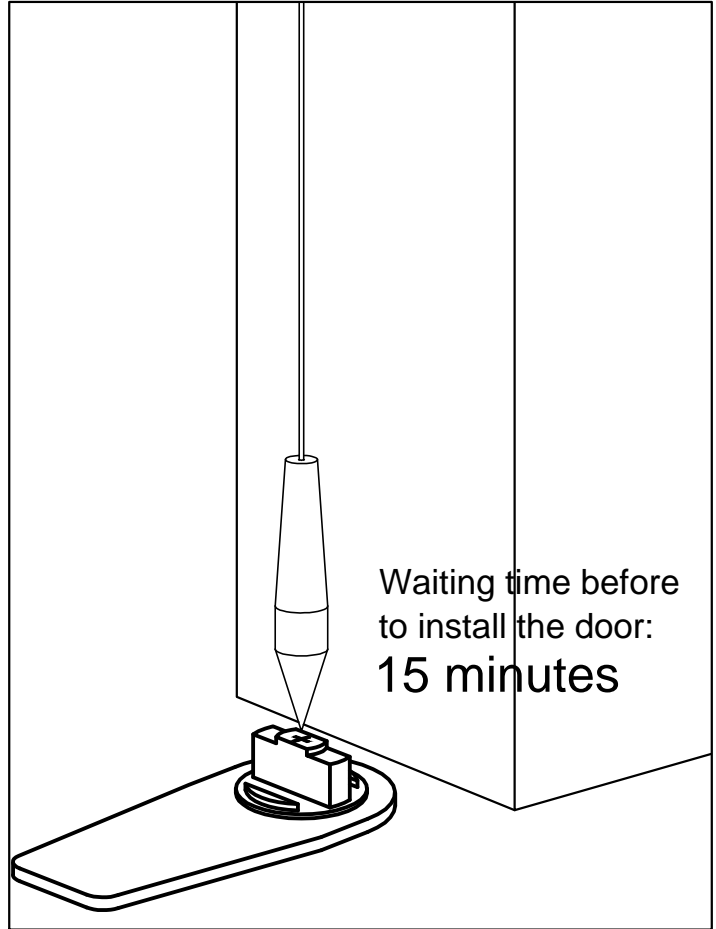
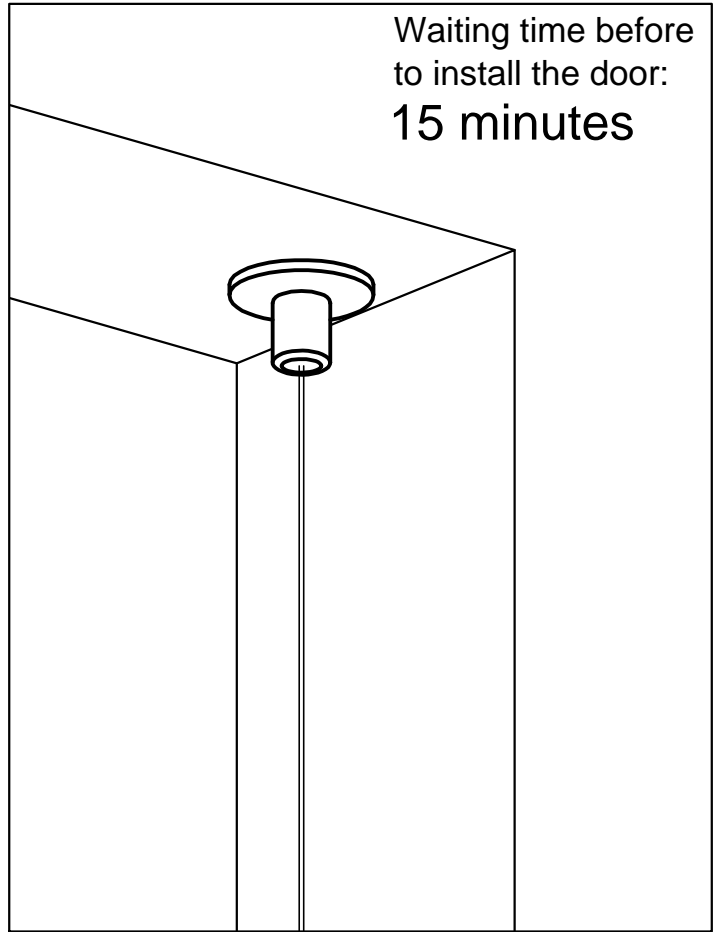
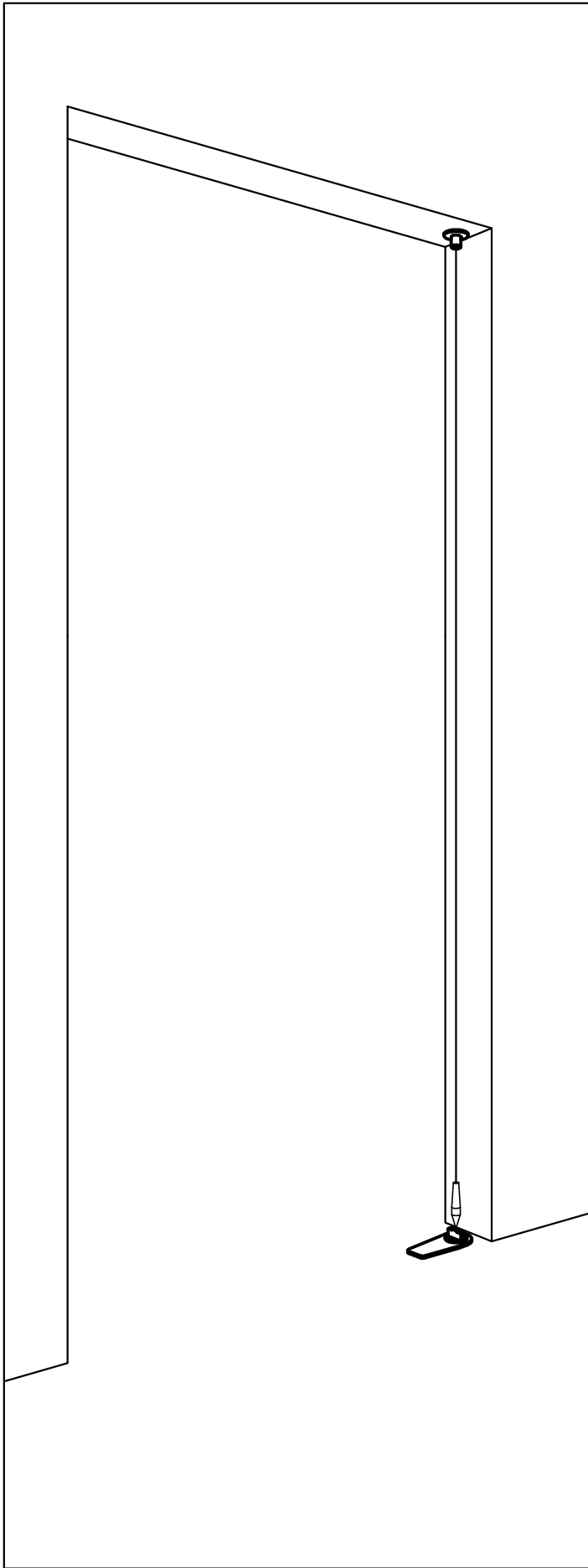
BEFORE

FIX IMMEDIATELY IN POSITION WITH THE STEEL DOWEL

AFTER

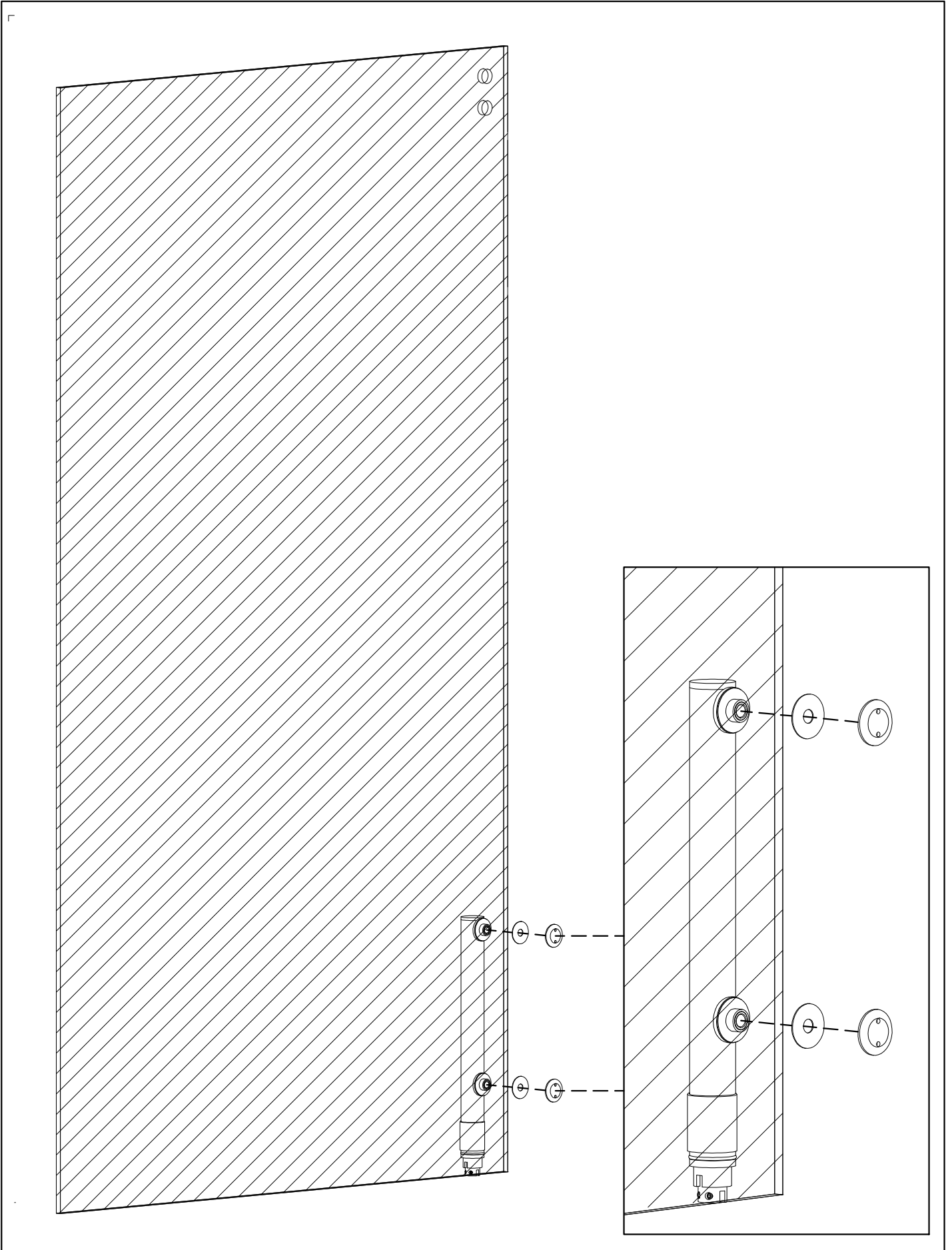
SC1.03

ZENITH SC - MAKE A GOOD CLEANING OF HOLES.
FILLED UP HOLES WITH A CHEMICAL RESIN TO FIX THE TOP AND BOTTOM
ACCESSORIES (THE CHEMICAL RESIN FISCHER FIS V 360 IS SUGGESTING)



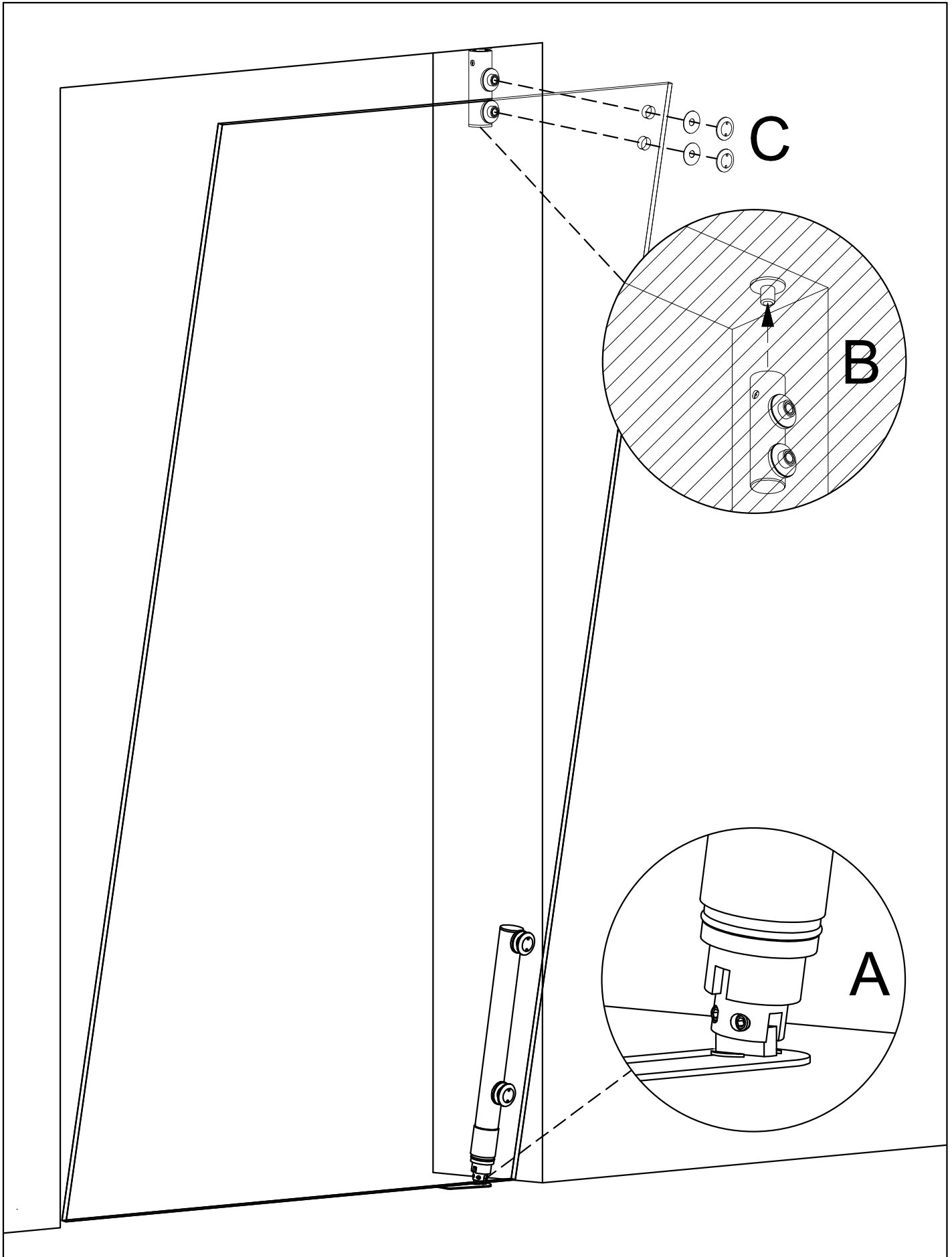
SC1.04

ZENITH SC - TOP AND BOTTOM ACCESSORIES MUST BE PERPENDICULAR TO EACH OTHER



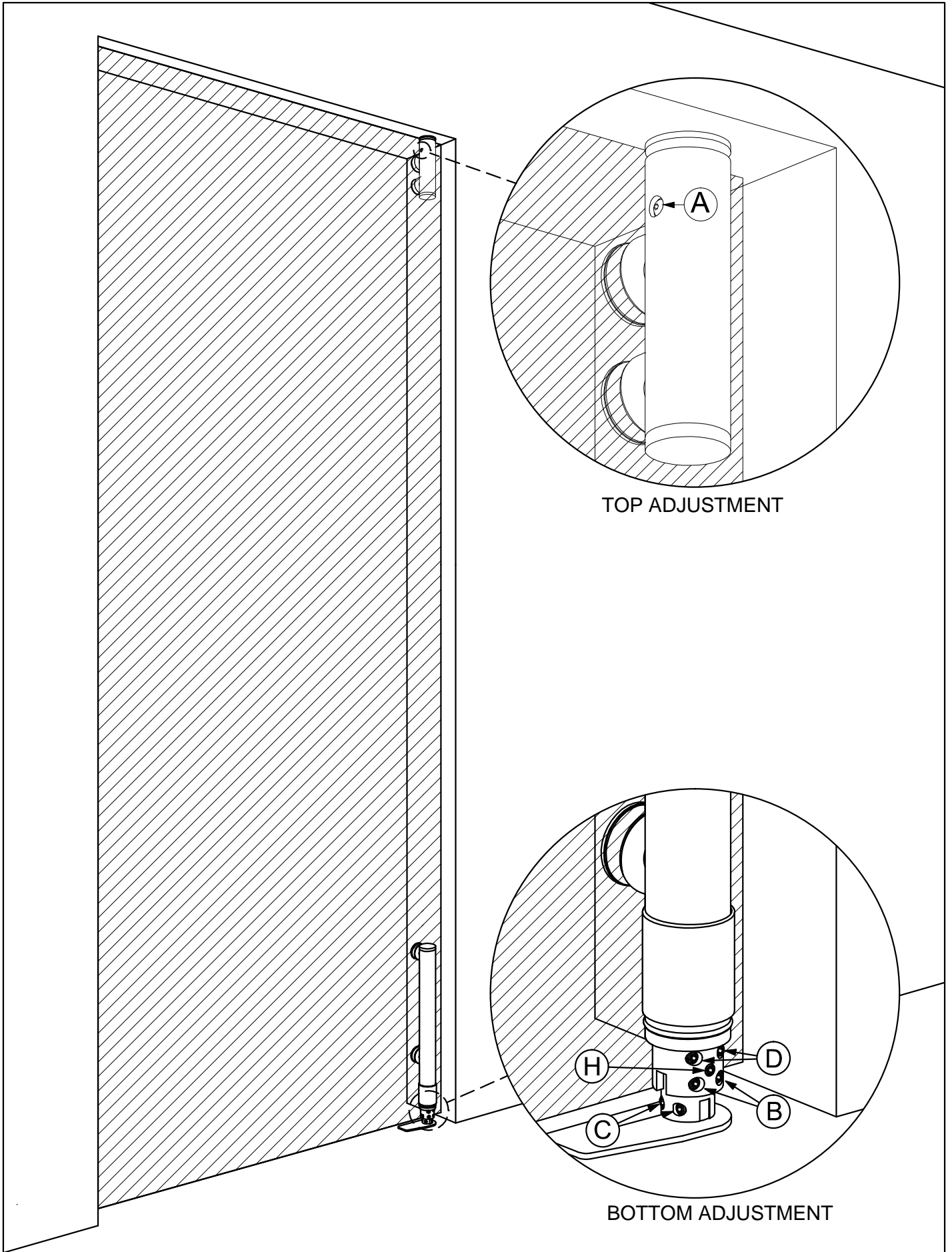
SC1.05

ZENITH SC1 - SCREW IN THE DOOR CLOSER



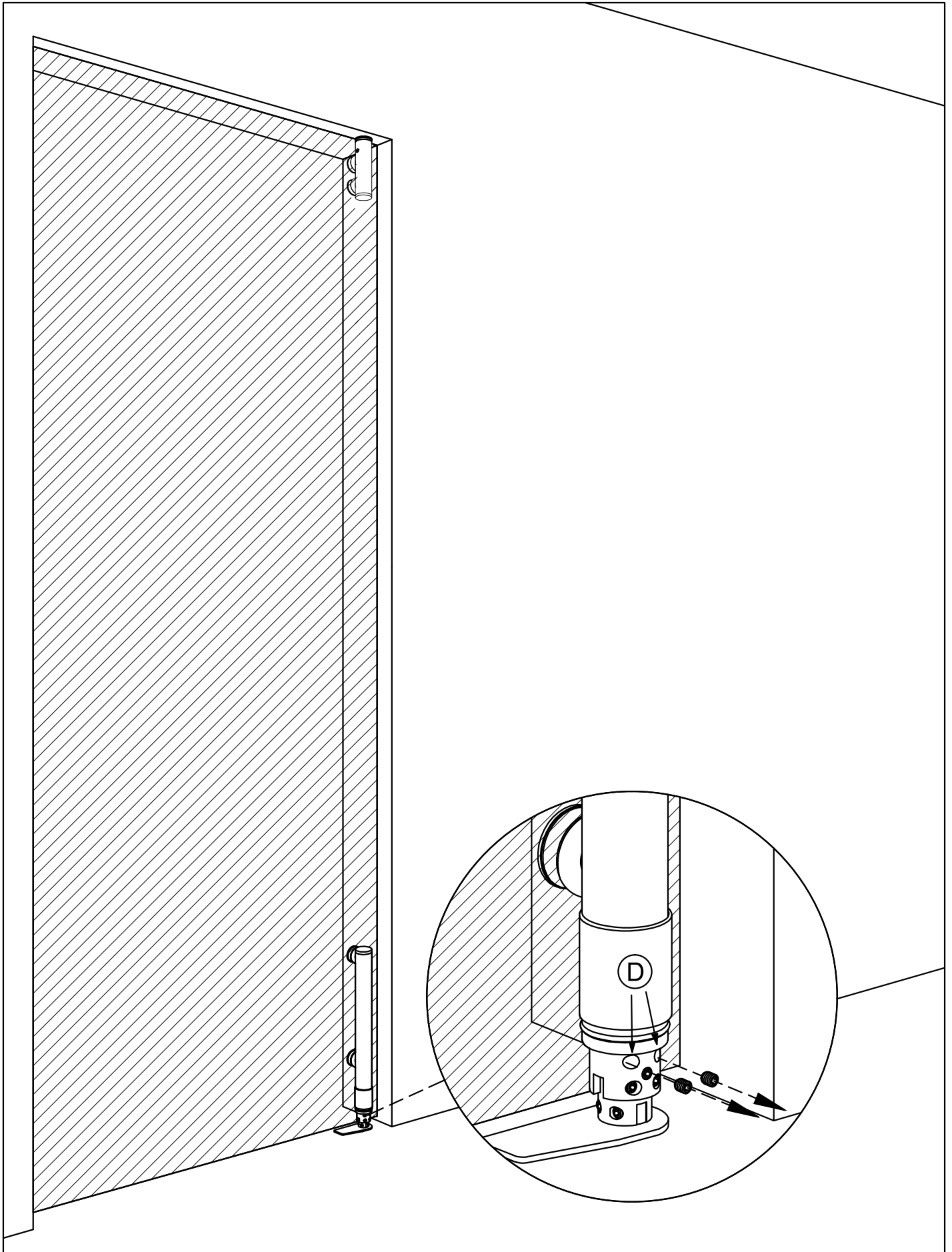
SC1.06

ZENITH SC1 - INSERT THE DOOR AS SHOWN IN PICTURE A - HOLD UP THE UPPER HINGE (B) WHILE INSERTING THE DOOR AS INDICATED IN PICTURE C



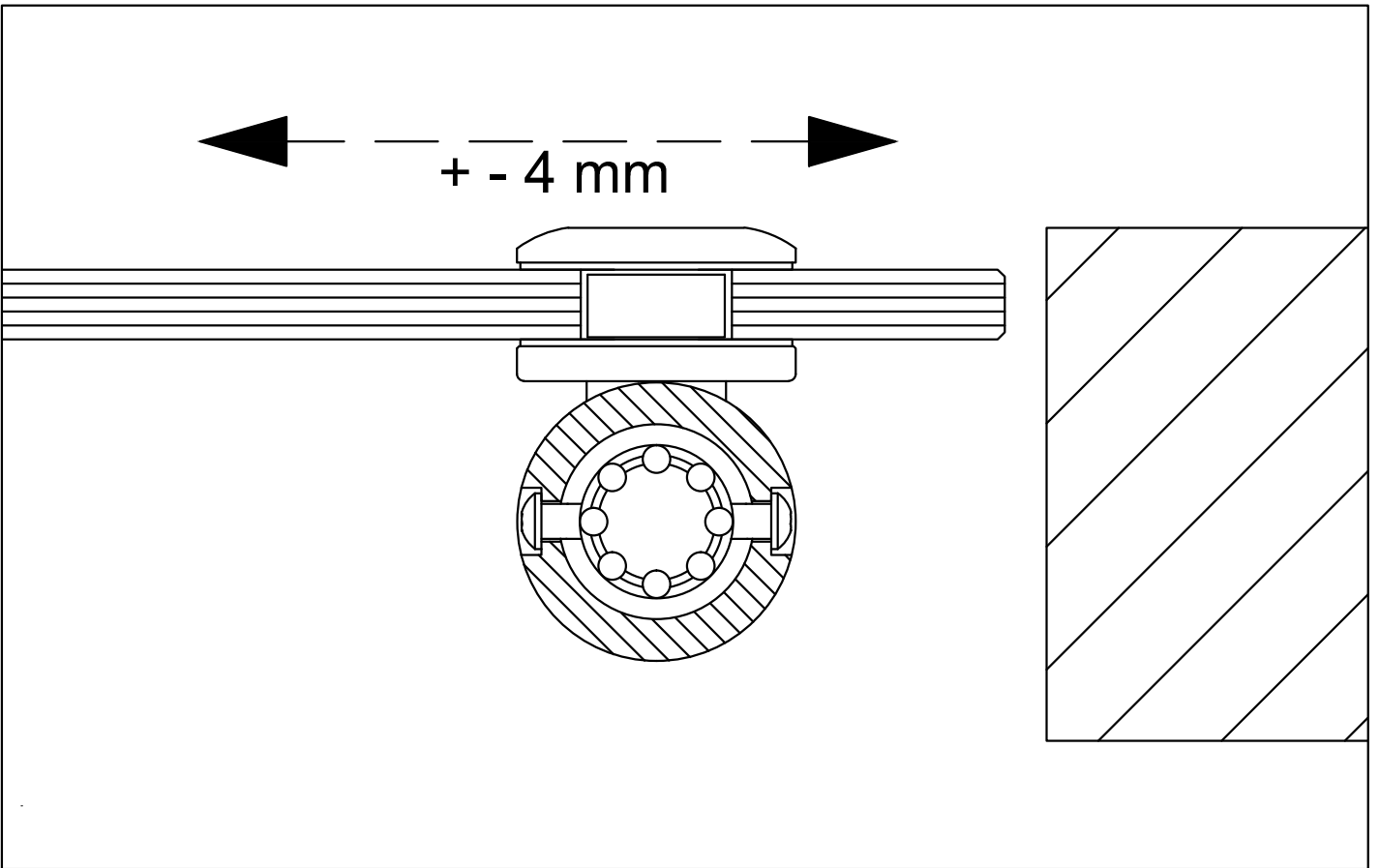
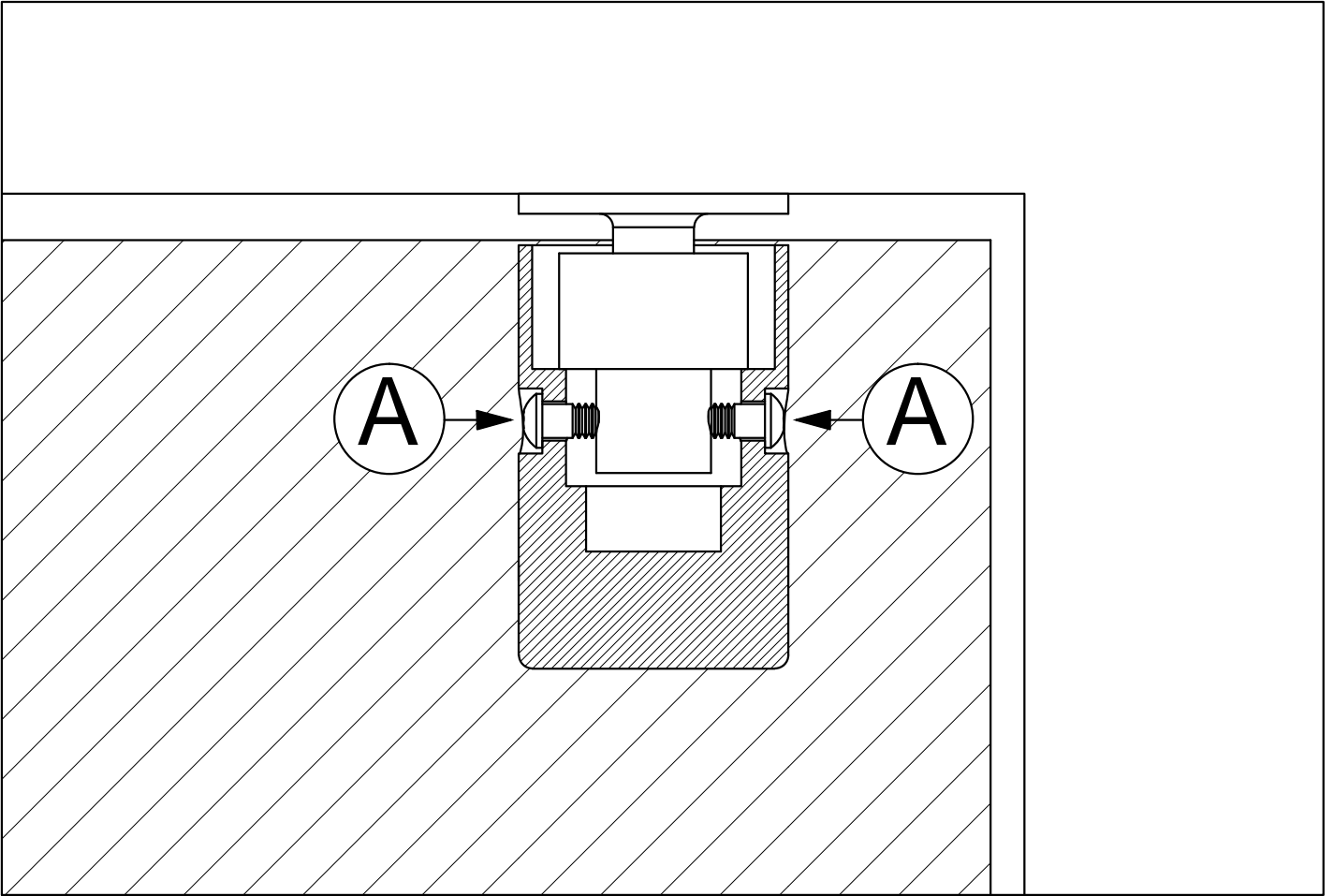
SC1.07

ZENITH SC1 - DOOR ADJUSTMENTS 1°A- 2°B- 3°C- 4°H- 5°D



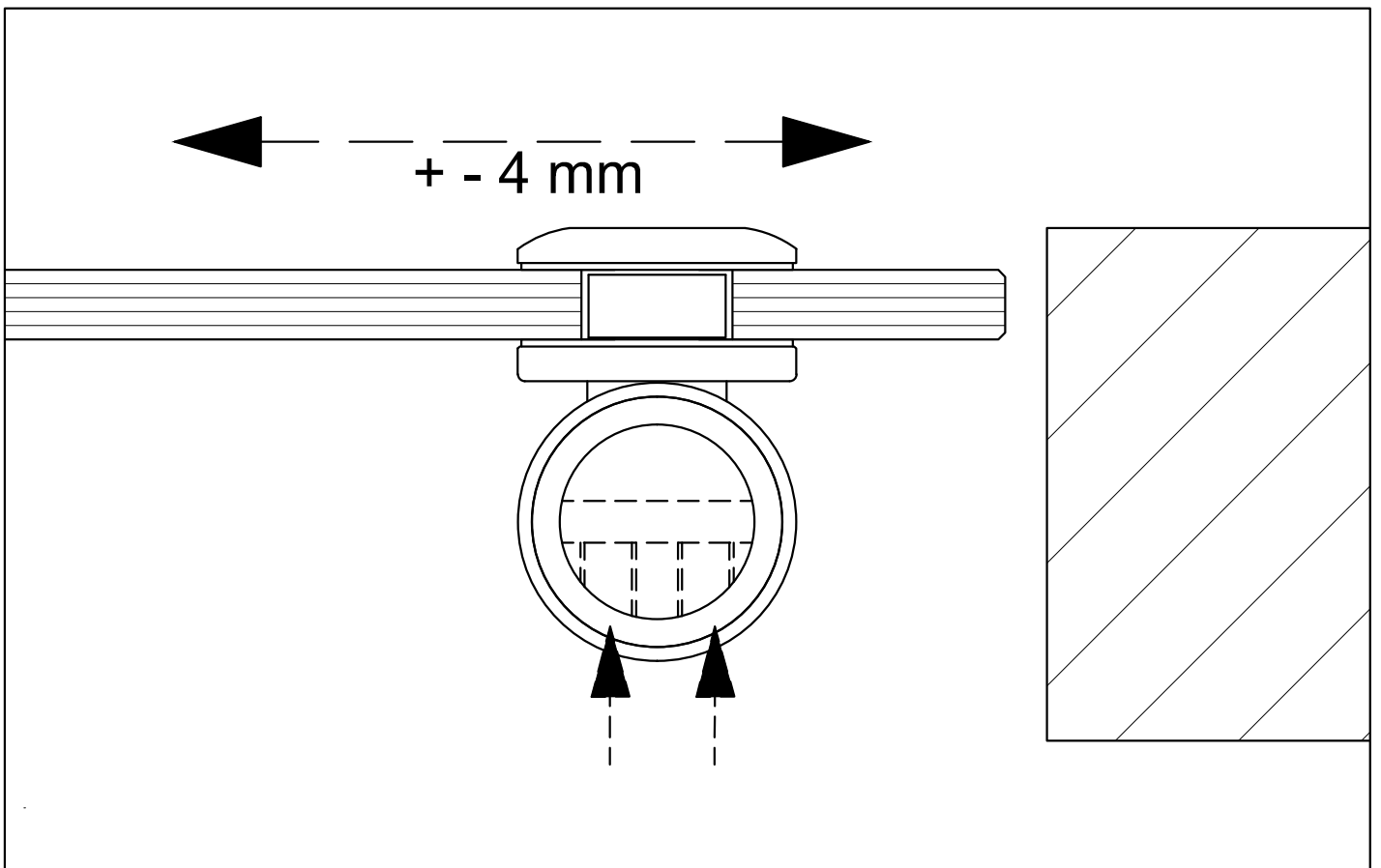
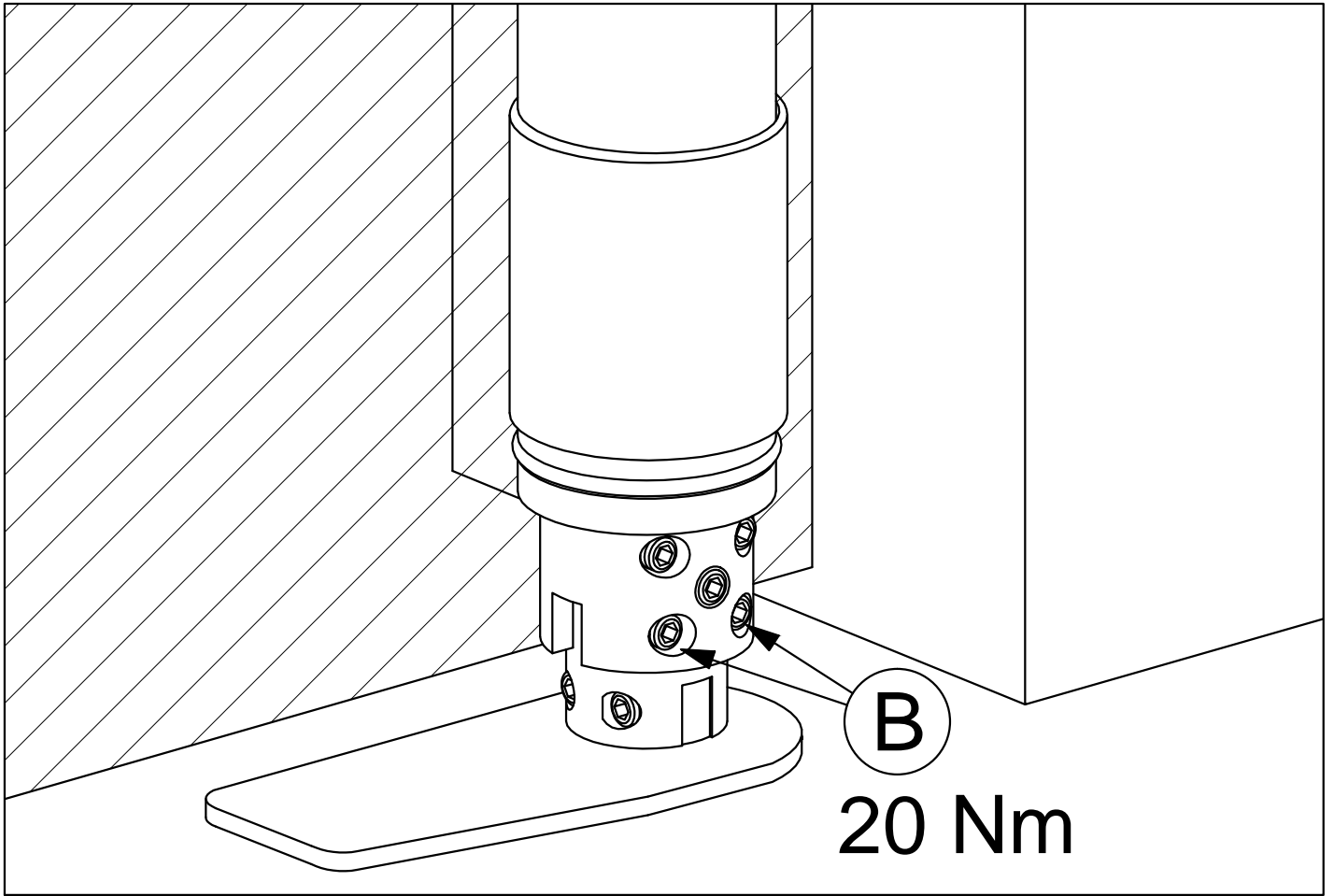
SC1.08

ZENITH SC1 - REMOVE THE **D** SCREWS BEFORE PROCEEDING WITH THE REGULATION OF THE DOOR'S ADJUSTMENTS

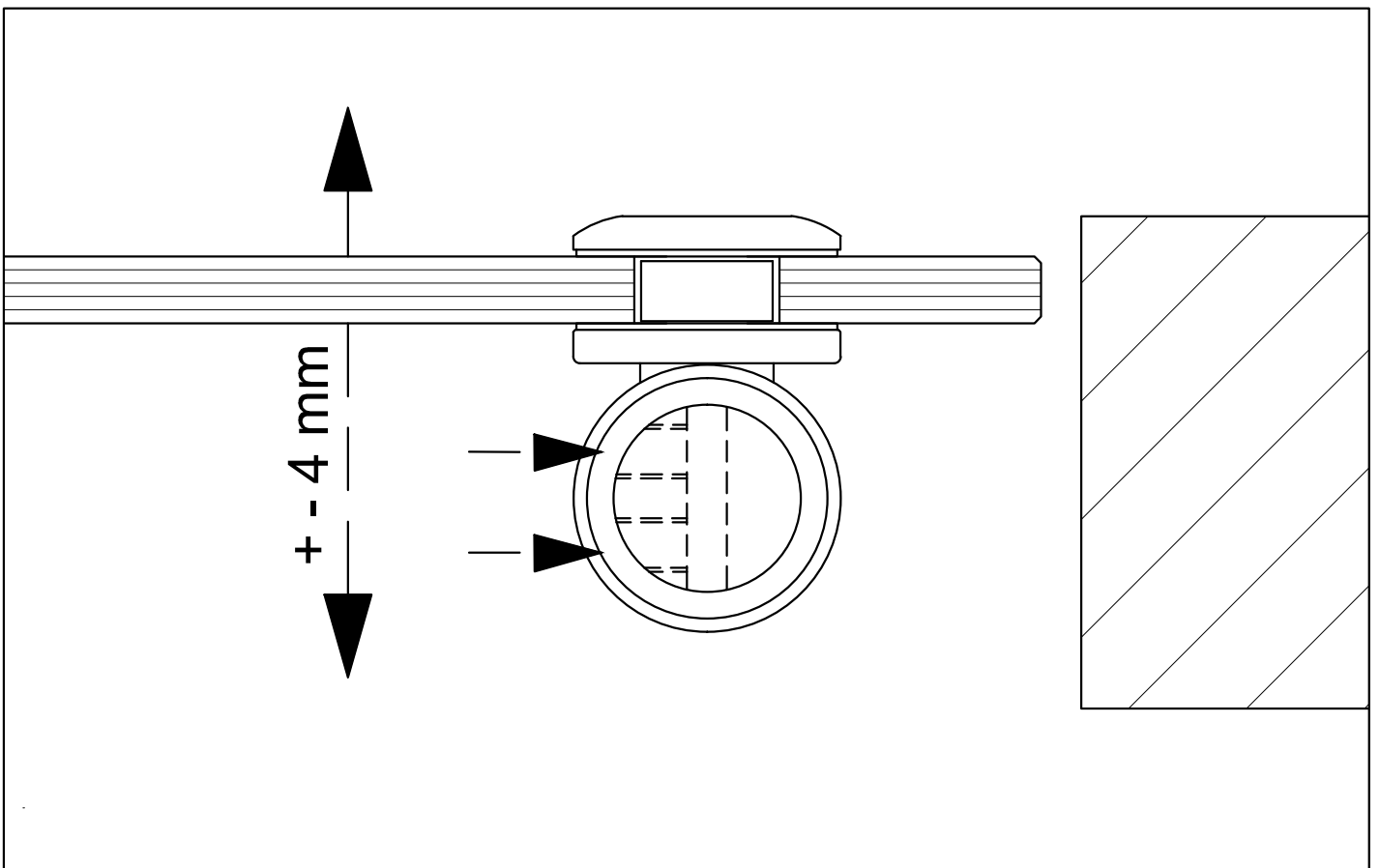
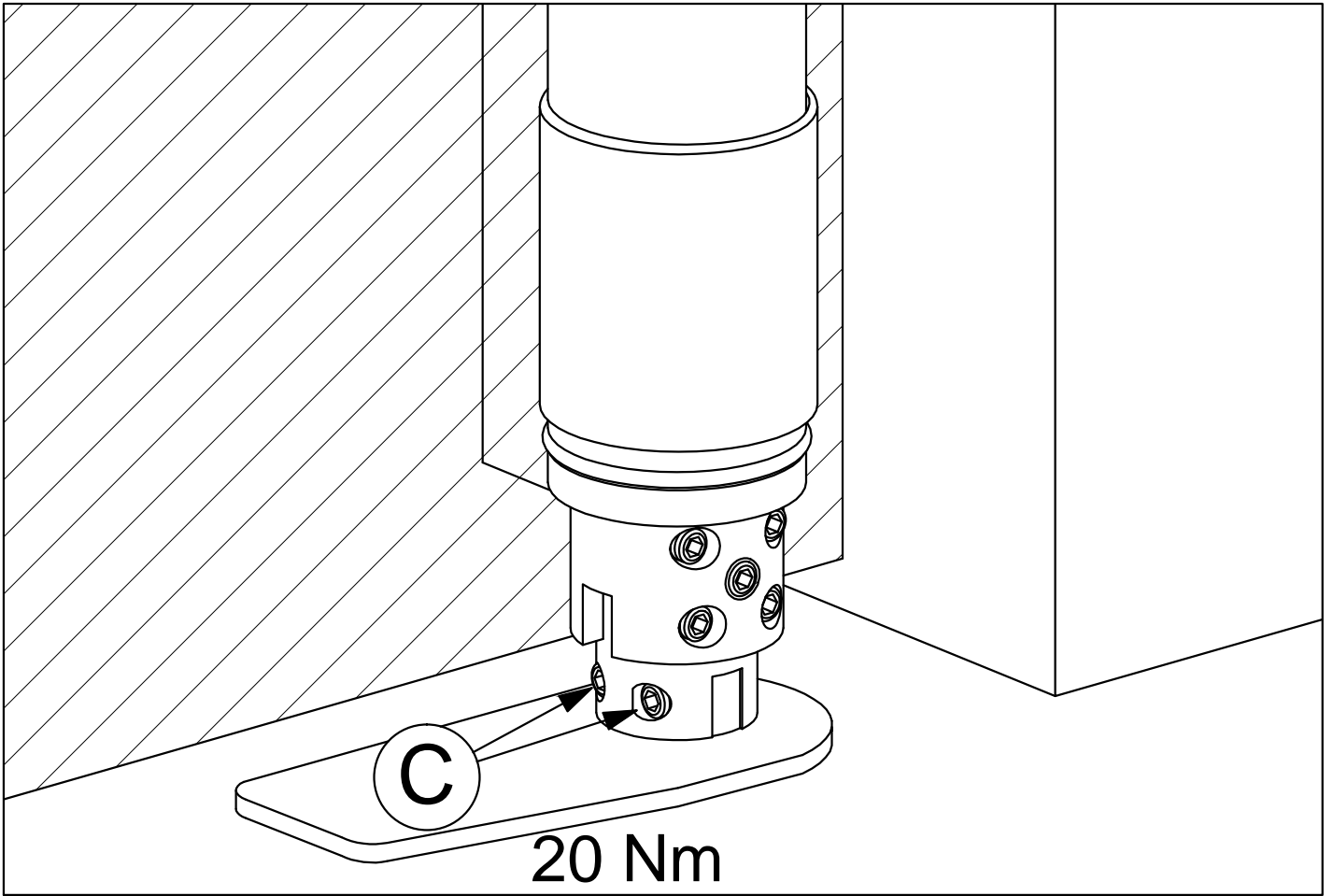


SC1.09

ZENITH SC1 - ADJUSTMENT - A - UPPER HINGE

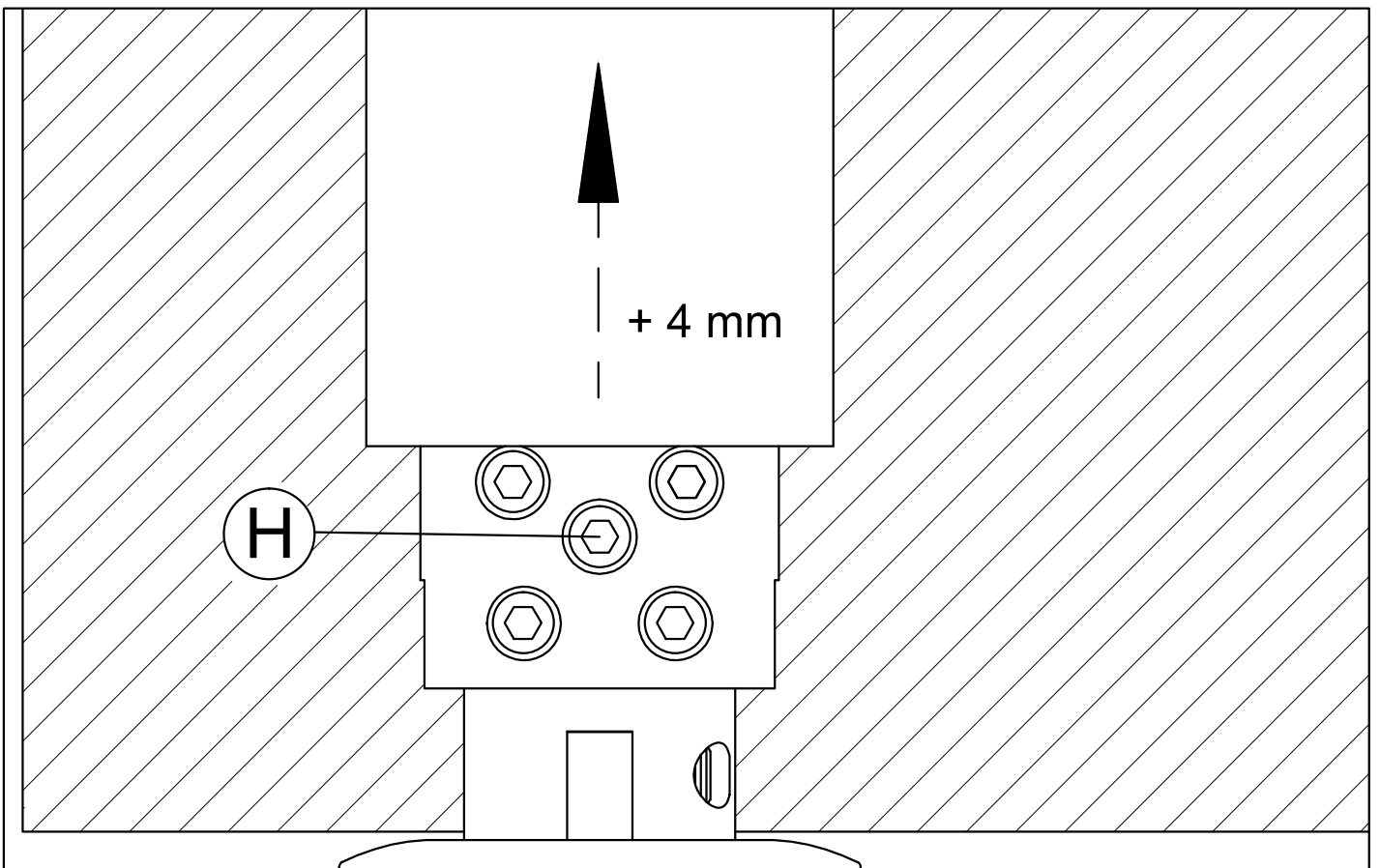
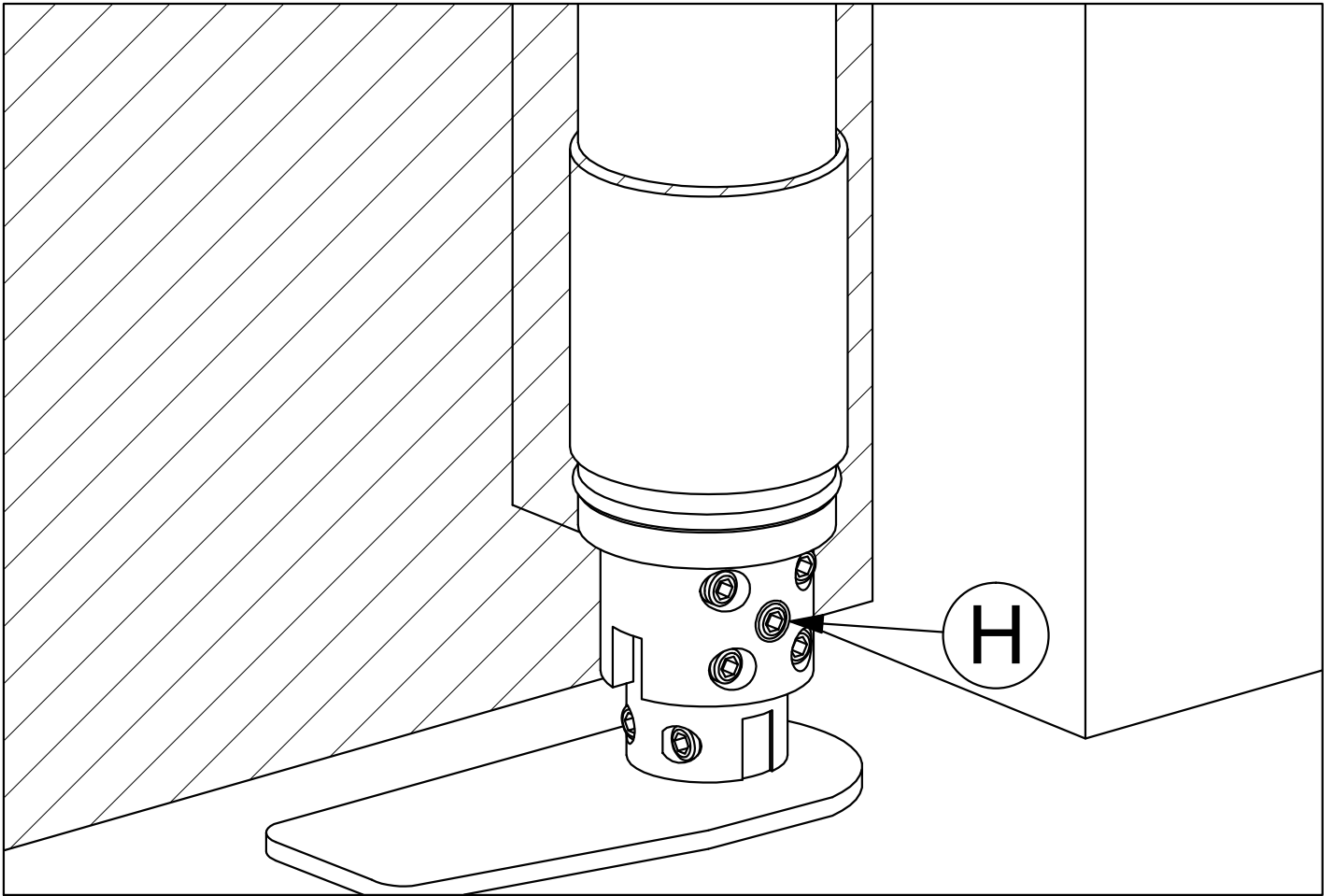


SC1.10	ZENITH SC1 - ADJUSTMENT - B - BOTTOM HINGE
--------	--



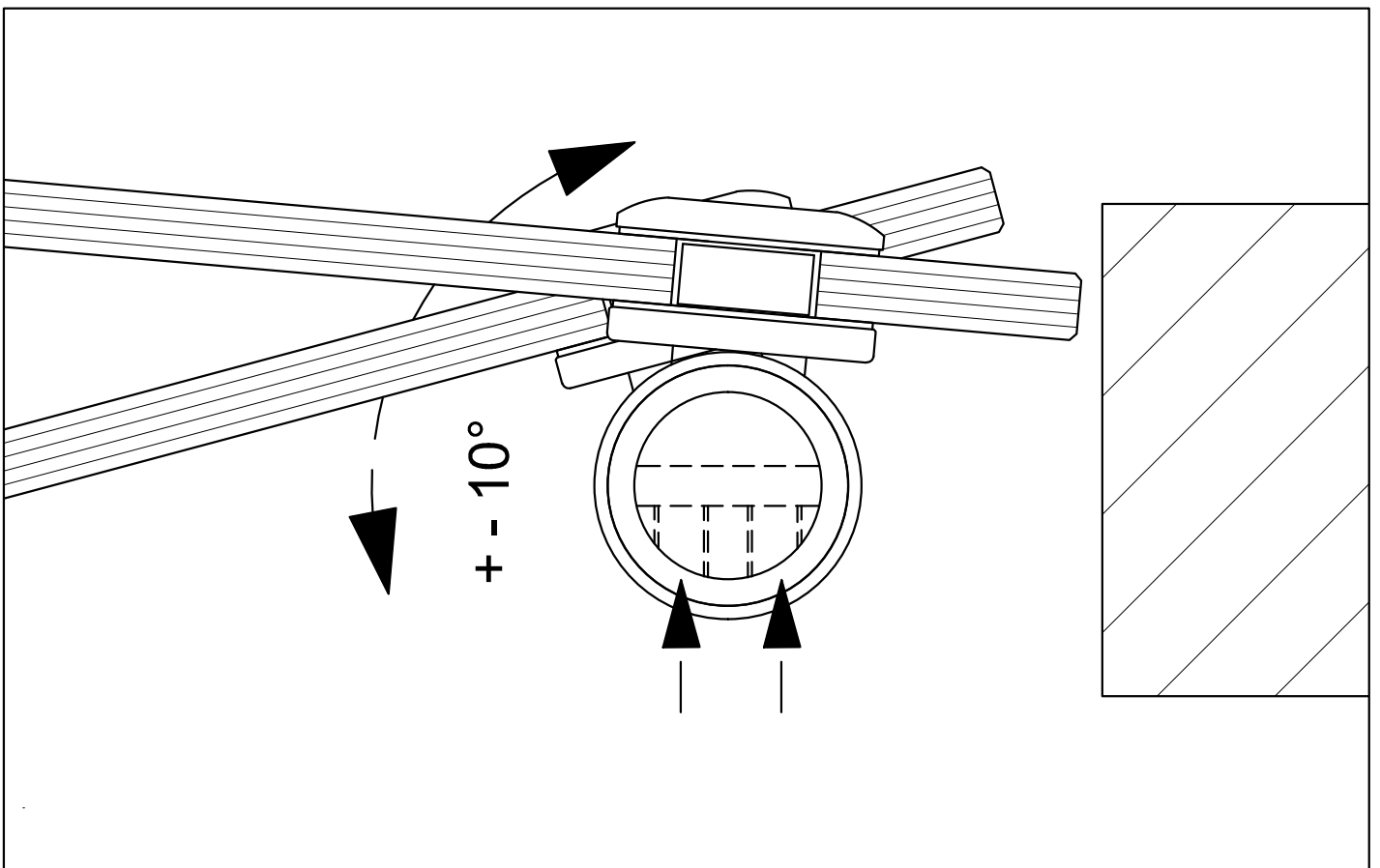
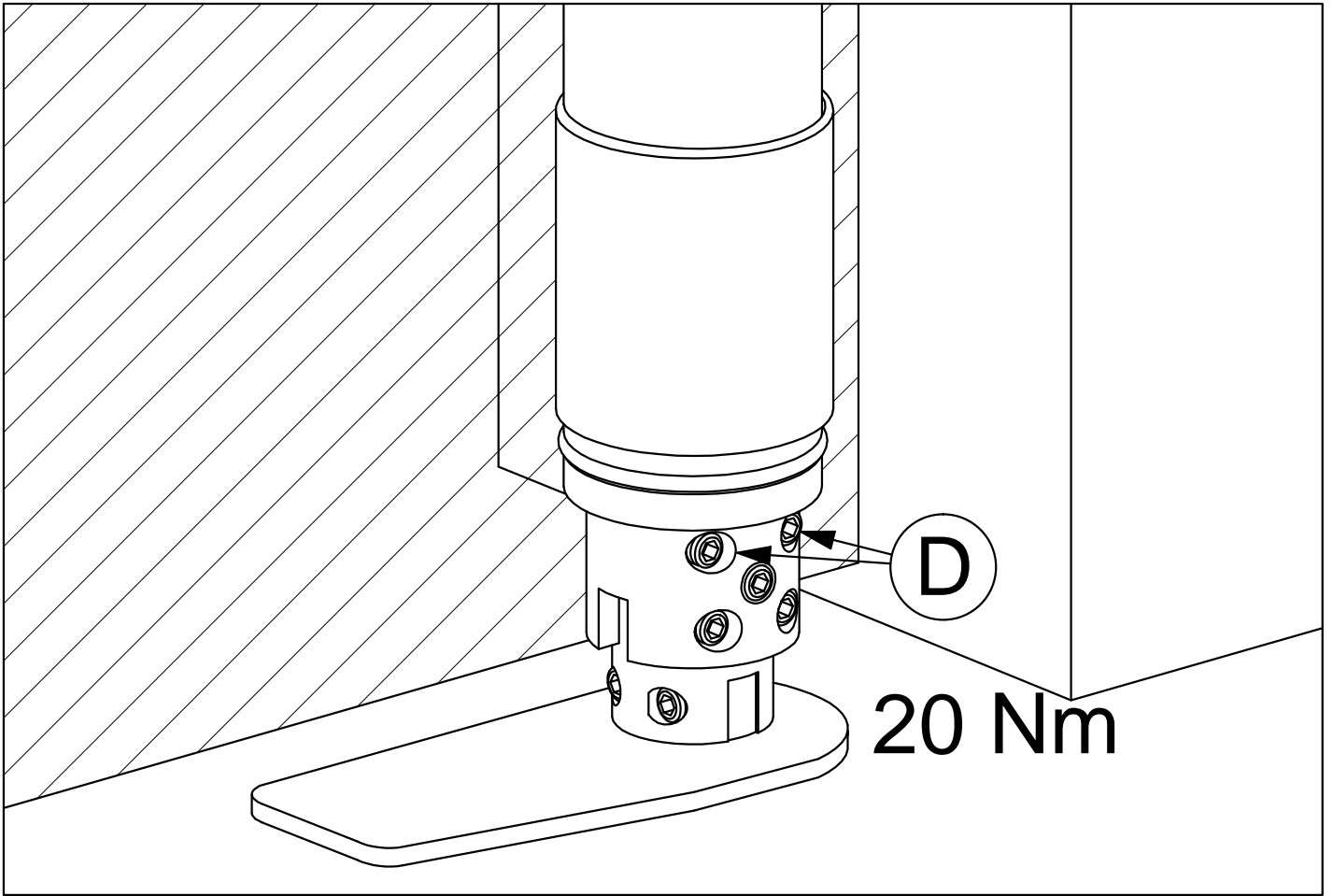
SC1.11

ZENITH SC1 - ADJUSTMENT - C - BOTTOM HINGE



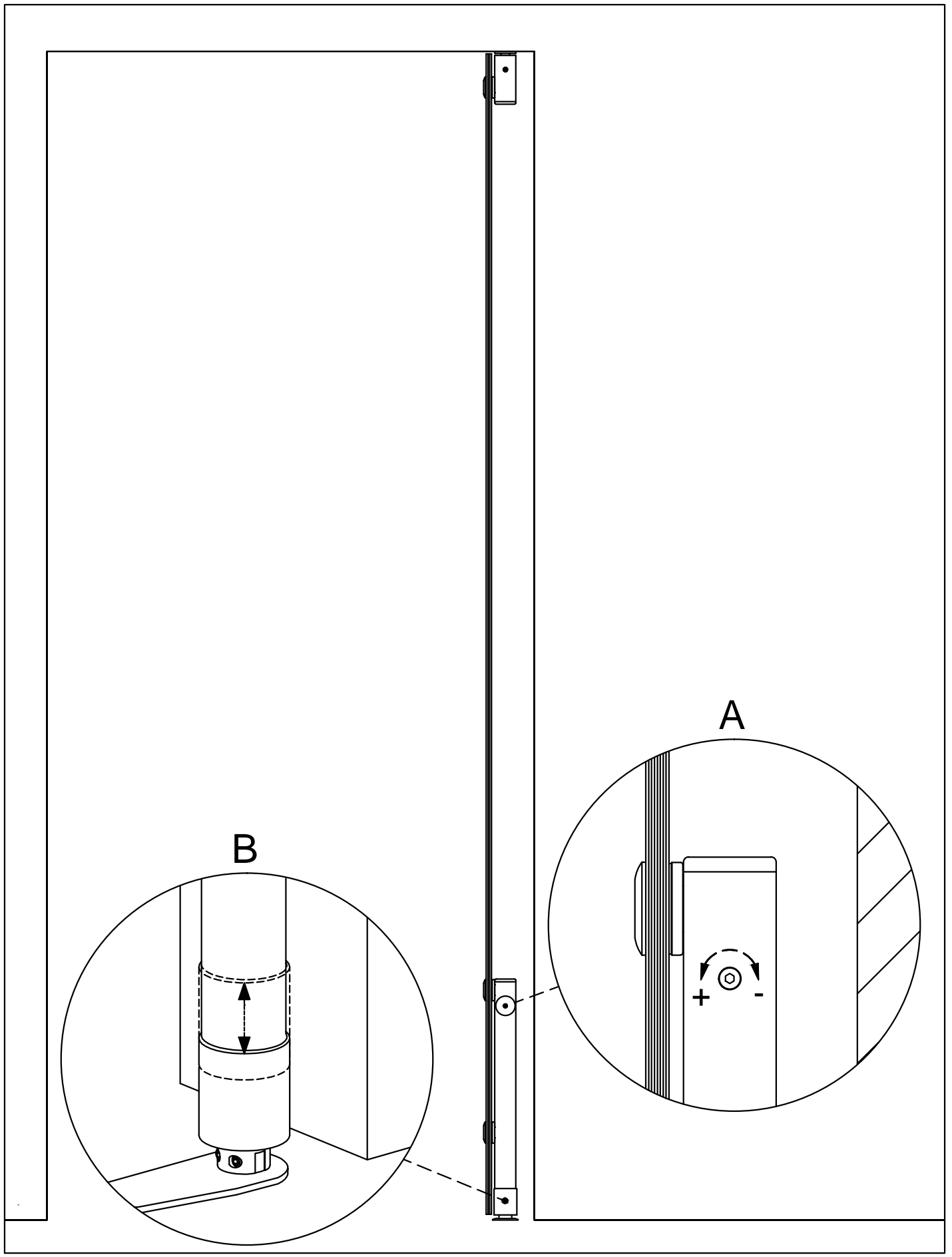
SC1.12

ZENITH SC1 - ADJUSTMENT - H - BOTTOM HINGE



SC1.13

ZENITH SC1 - ADJUSTMENT - D - BOTTOM HINGE



SC1.14 ZENITH SC1 - CLOSING SPEED ADJUSTMENT - PICTURE **A** - LOWER THE FINISH RING AS SHOWN IN PICTURE **B**