



ALFA SRL

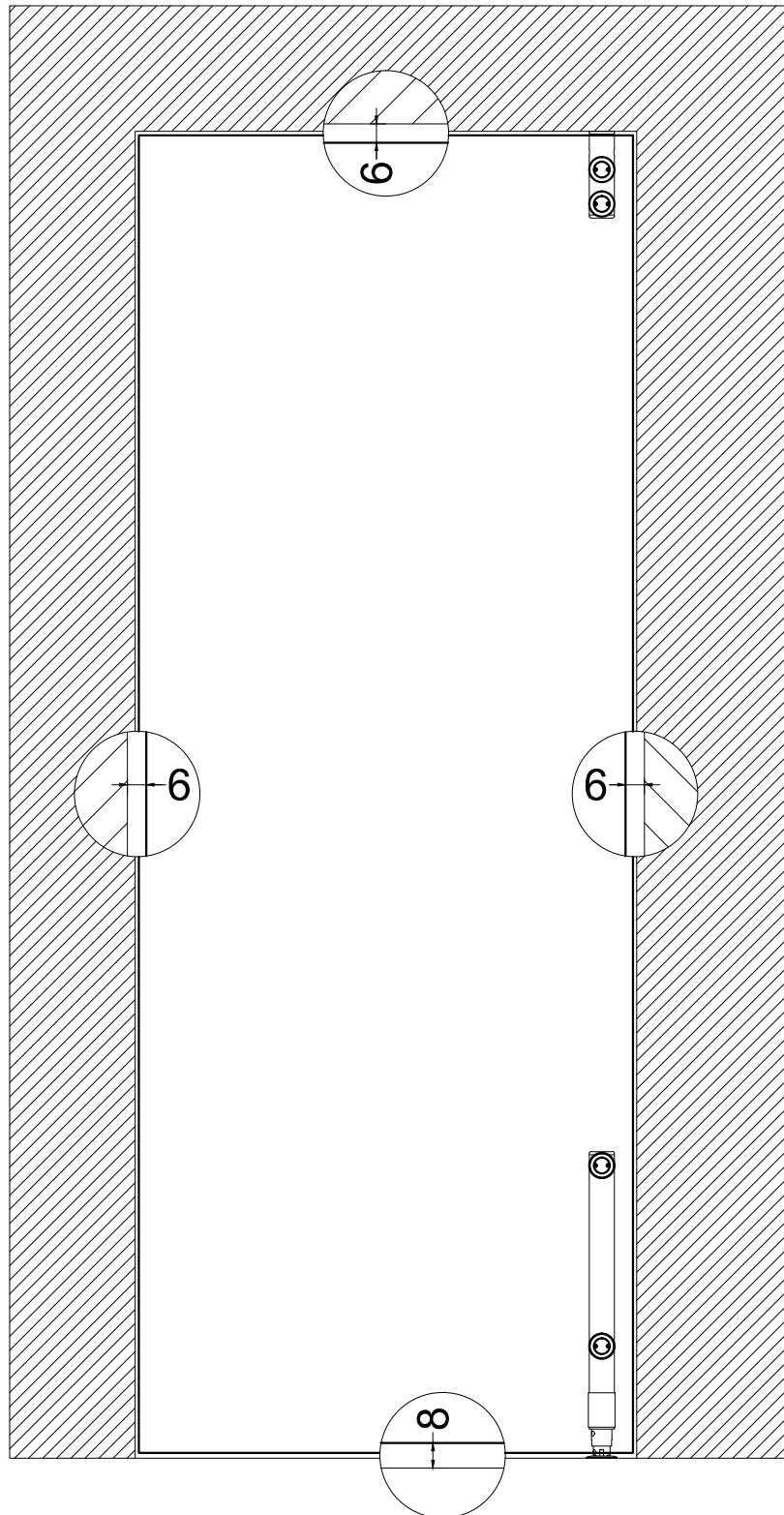
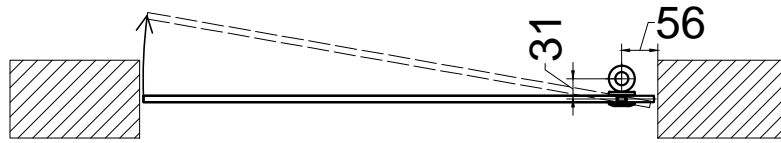
ZENITH SC - INSTALLATION INSTRUCTIONS

update 2.0
06/2018

GLASS DOOR
solutions SC1 and SSC1

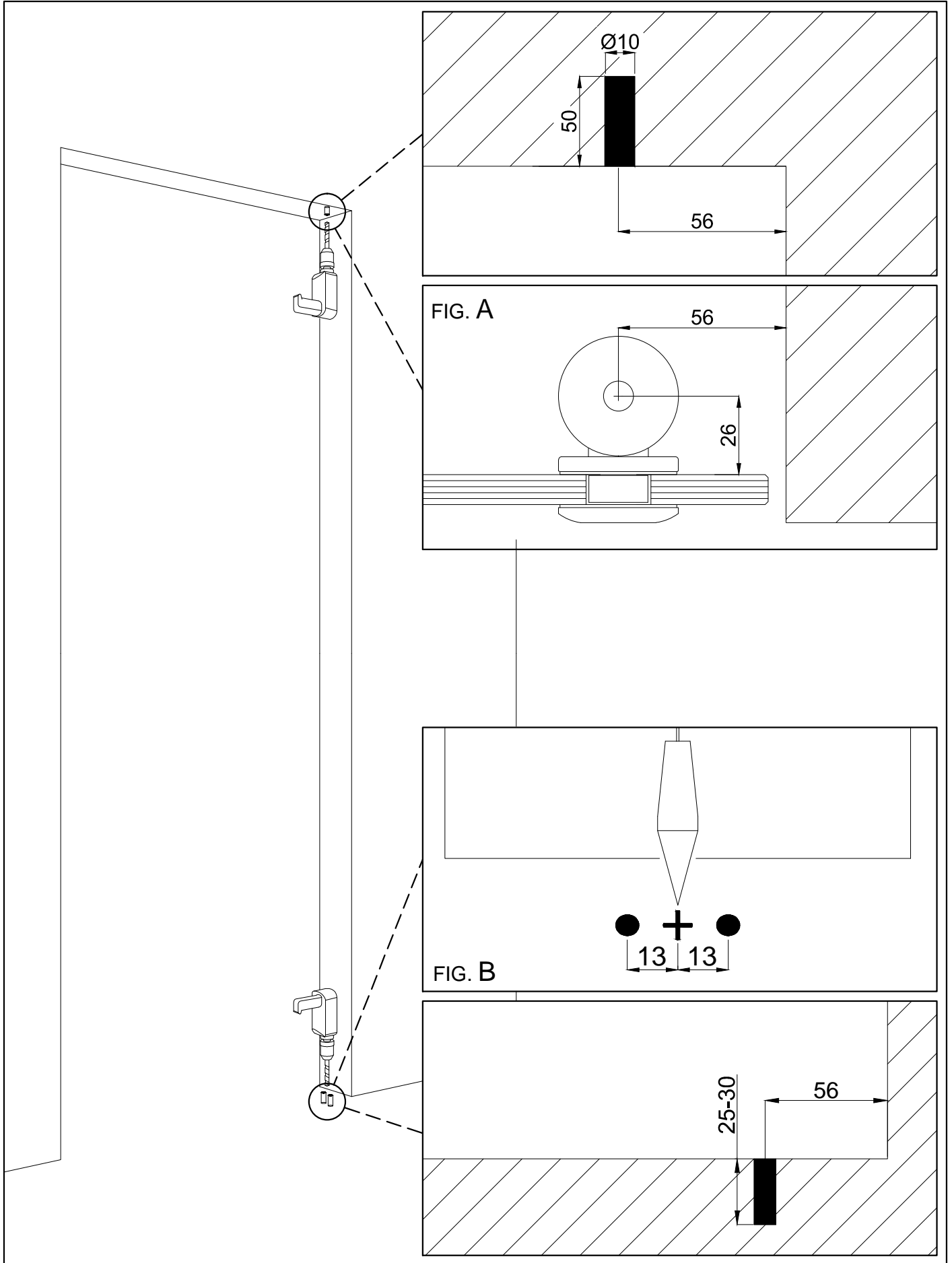
SC1.00

ZENITH SC1 - SSC1
INSTALLATION INSTRUCTIONS
GLASS DOOR



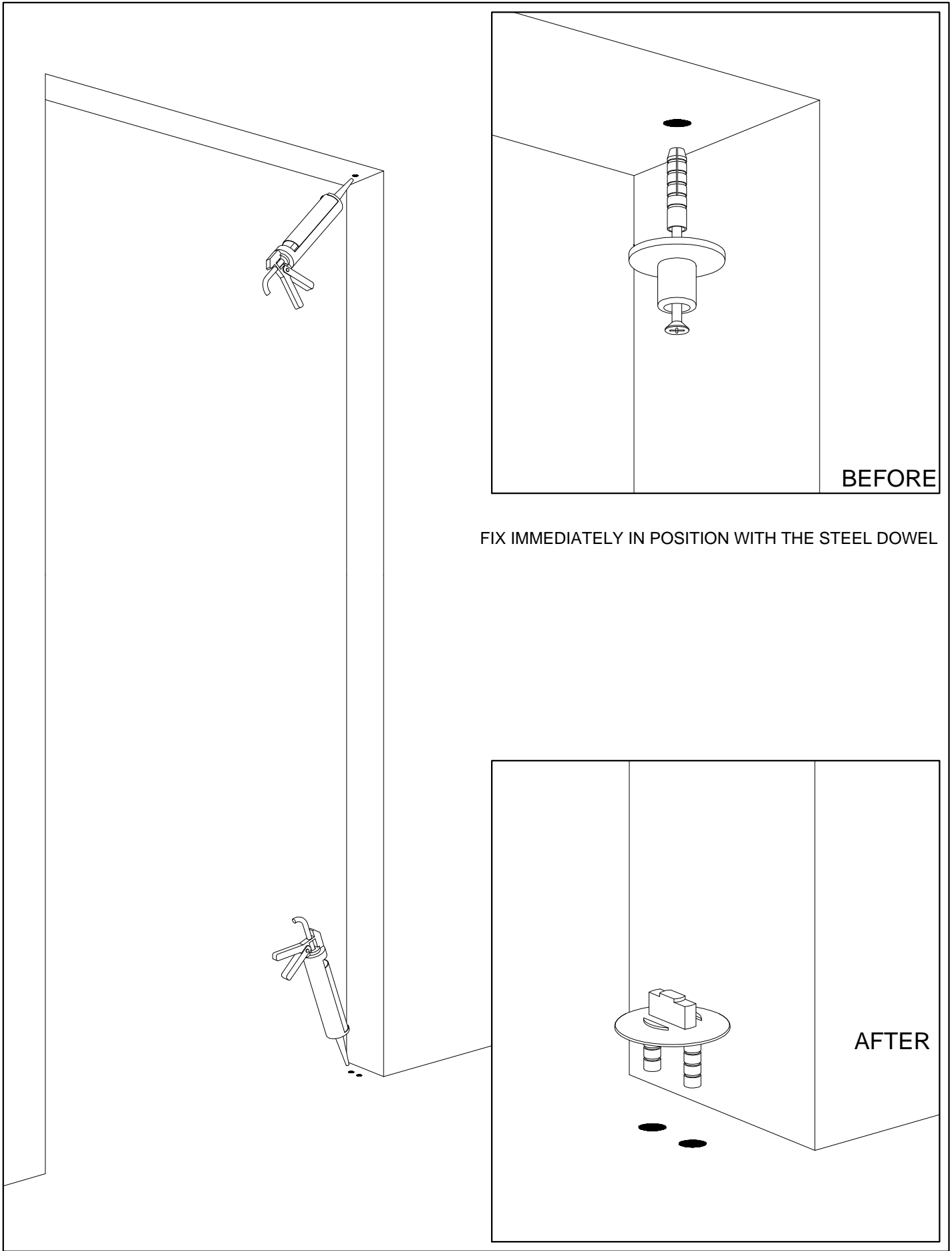
SC1.01

ZENITH SC - APPLICATION NOT IN AXLE ON SINGLE GLASS DOOR



SC1.02

ZENITH SC - HOLE FOR TOP AND BOTTOM WALL ACCESSORY



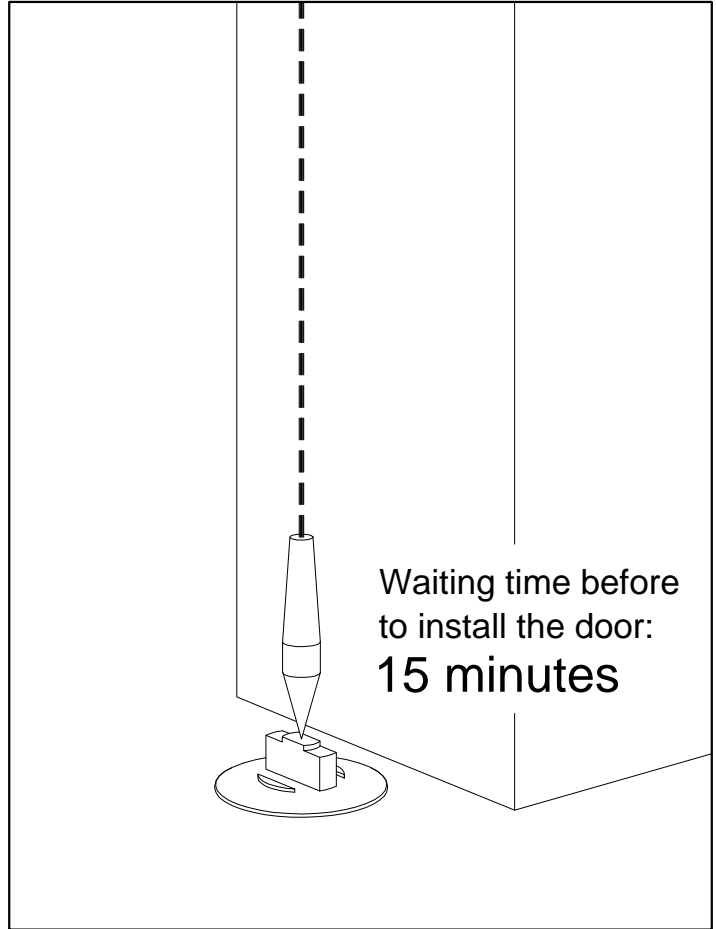
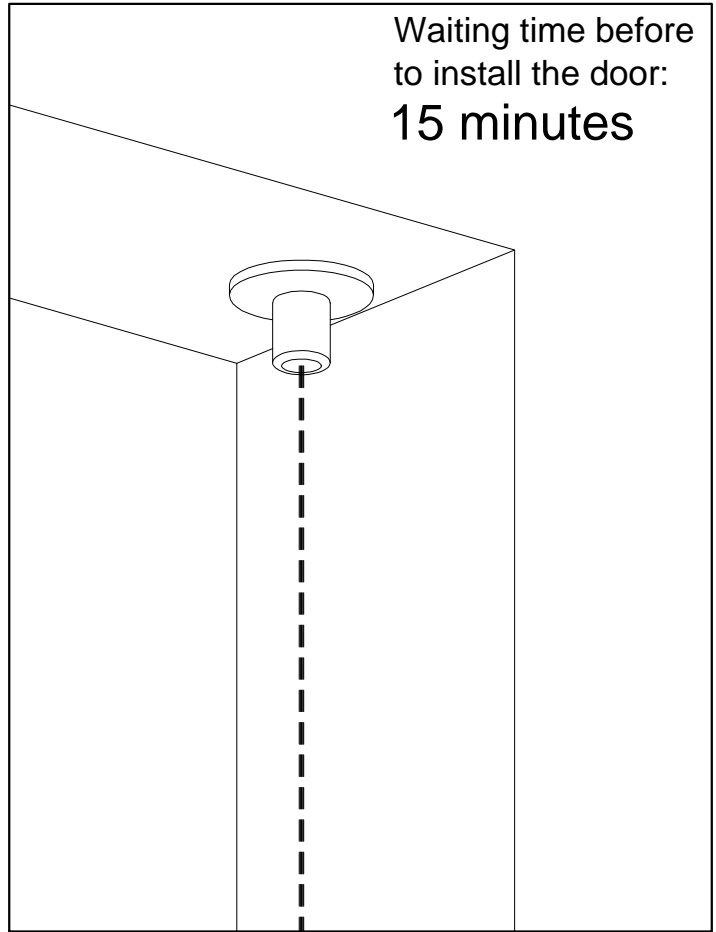
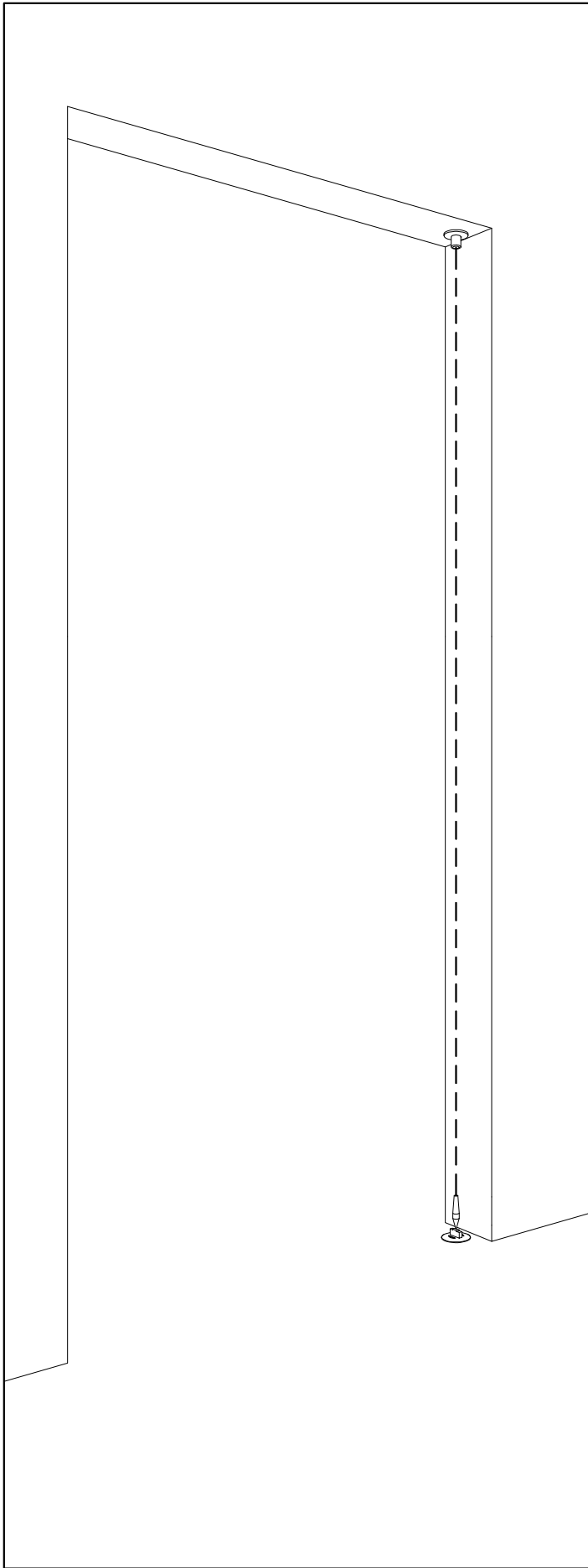
BEFORE

FIX IMMEDIATELY IN POSITION WITH THE STEEL DOWEL

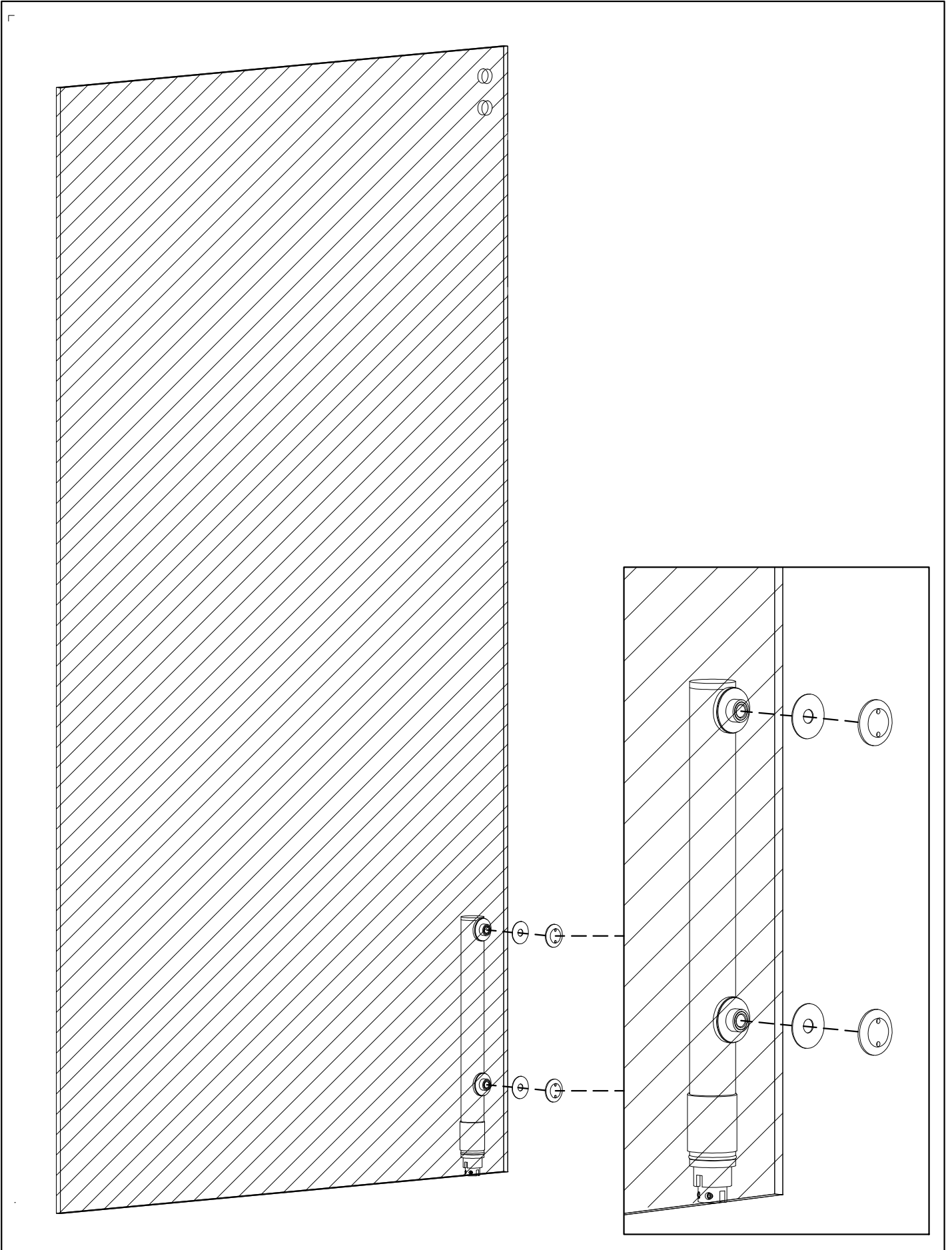
AFTER

SC1.03

ZENITH SC - MAKE A GOOD CLEANING OF HOLES.
FILLED UP HOLES WITH A CHEMICAL RESIN TO FIX THE TOP AND BOTTOM
ACCESSORIES (THE CHEMICAL RESIN FISCHER FIS V 360 IS SUGGESTING)

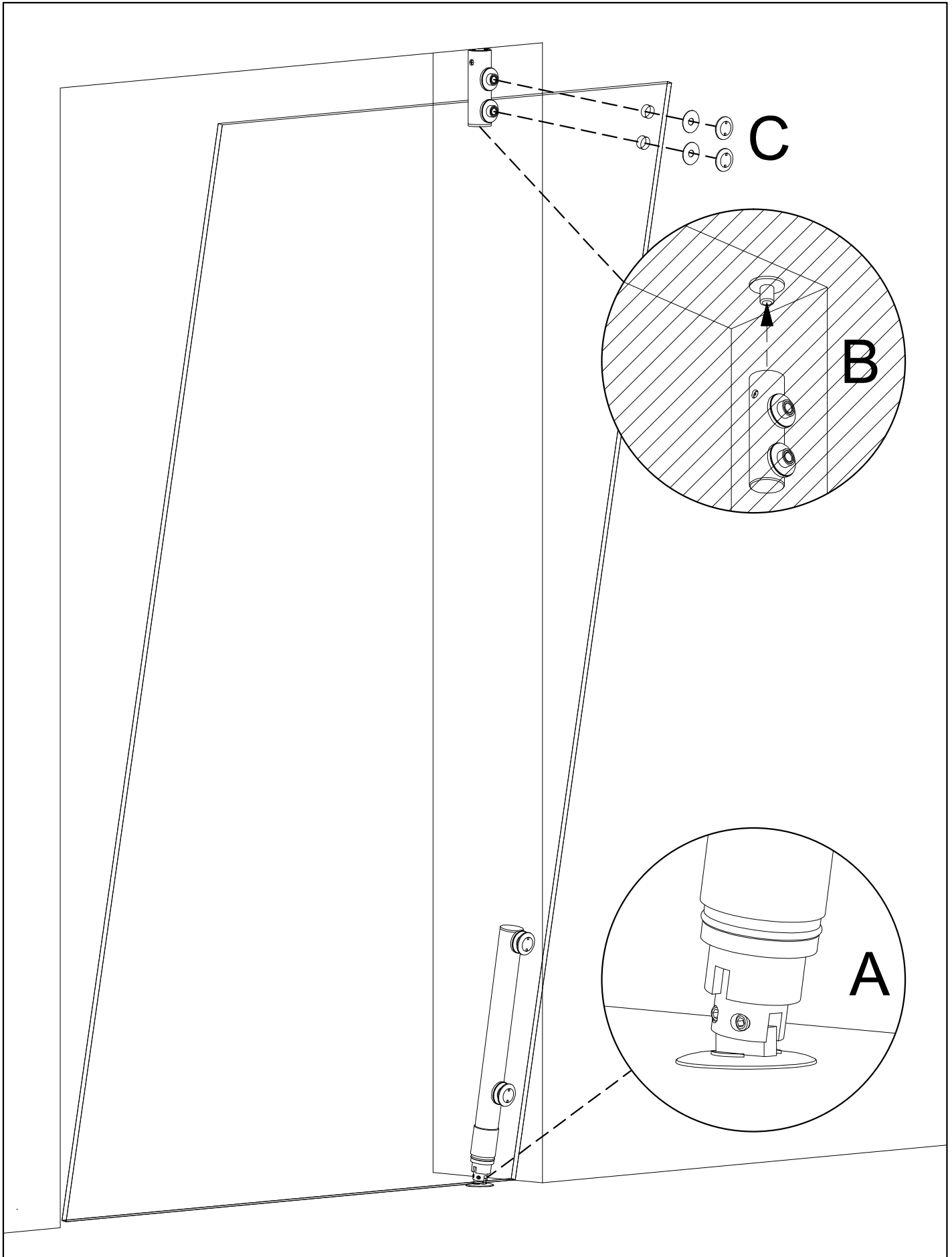


SC1.04	ZENITH SC - TOP AND BOTTOM ACCESSORIES MUST BE PERPENDICULAR TO EACH OTHER
---------------	---



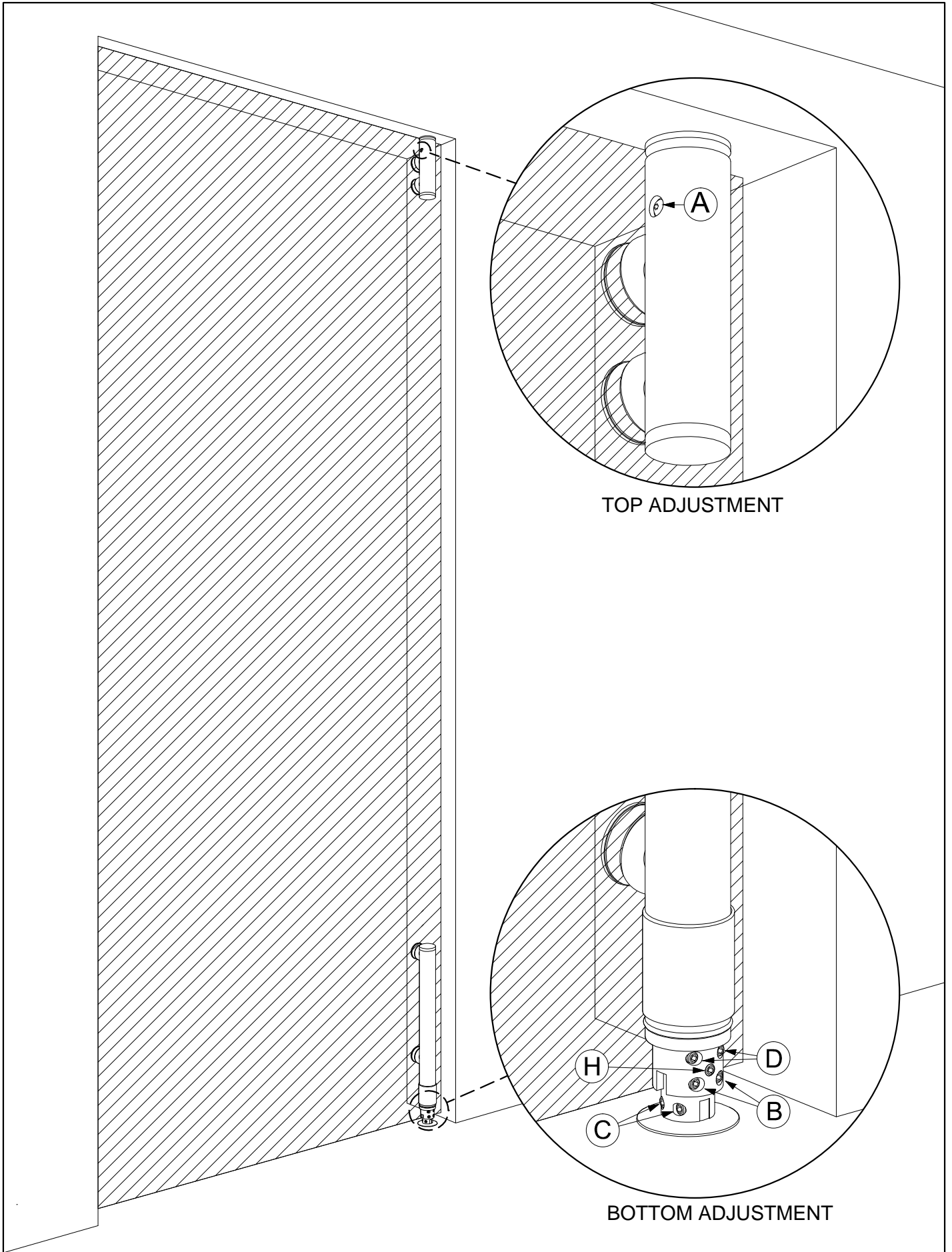
SC1.05

ZENITH SC1 - SCREW IN THE DOOR CLOSER



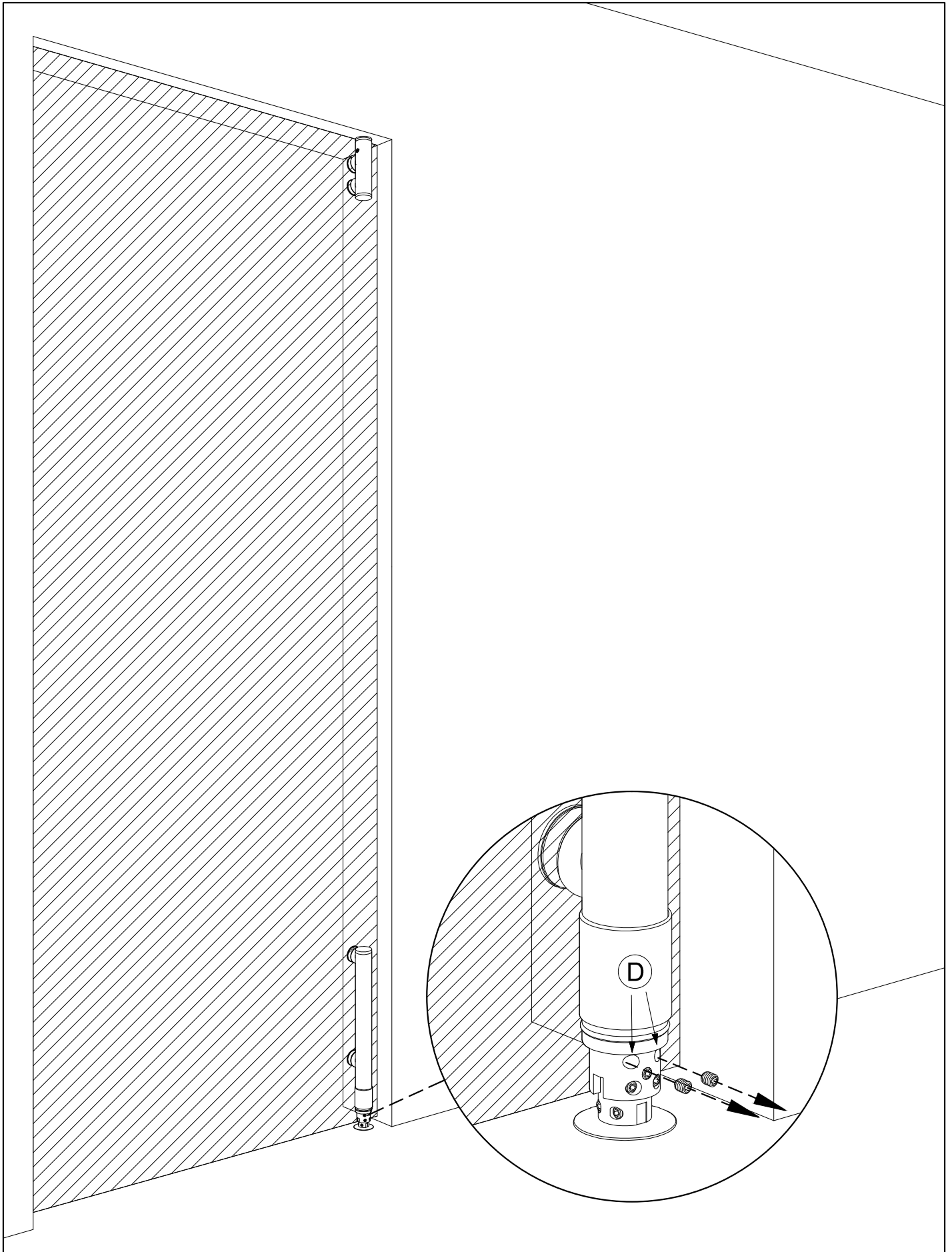
SC1.06

ZENITH SC1 - INSERT THE DOOR AS SHOWN IN PICTURE **A** - HOLD UP THE UPPER HINGE (**B**) WHILE INSERTING THE DOOR AS INDICATED IN PICTURE **C**



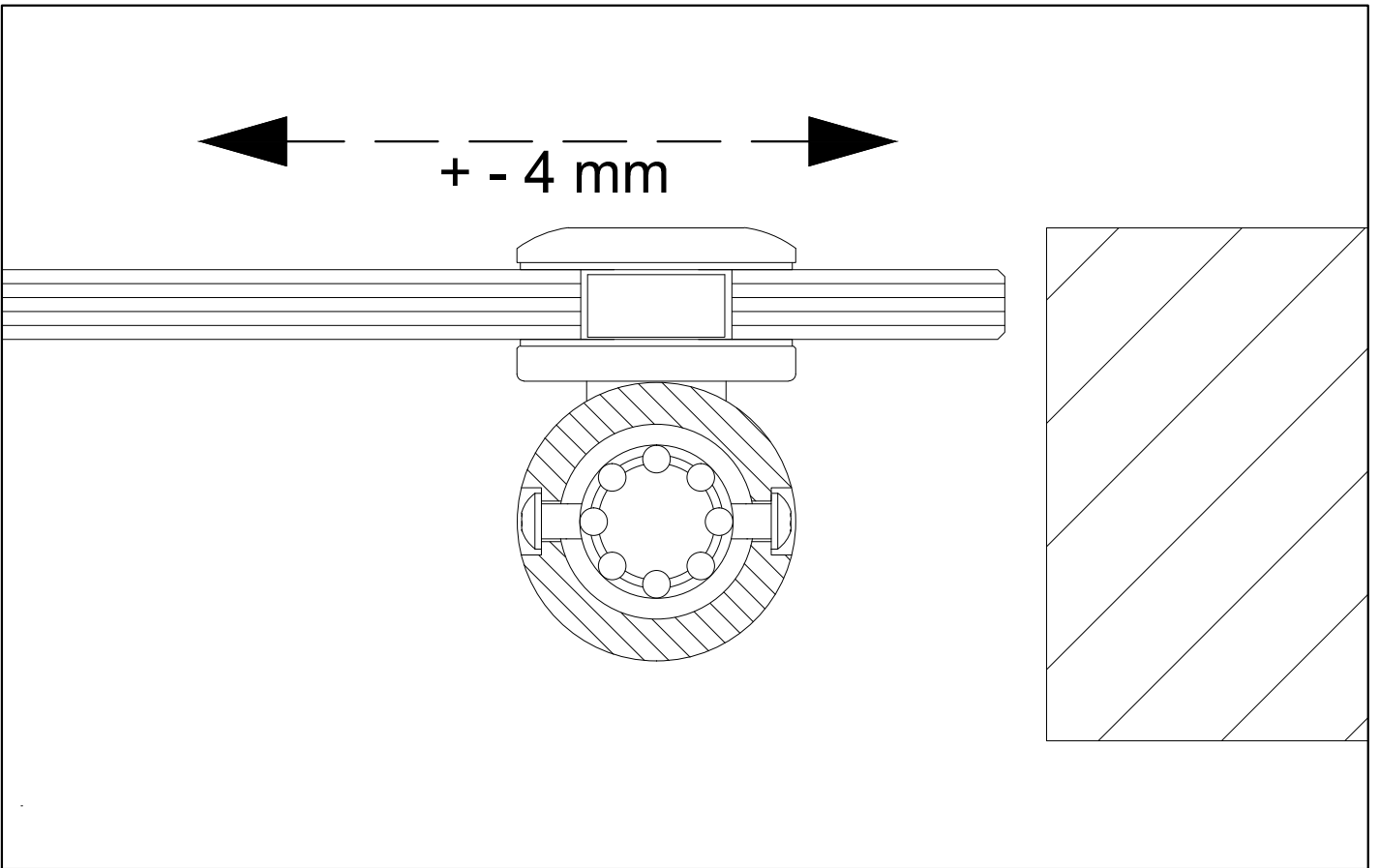
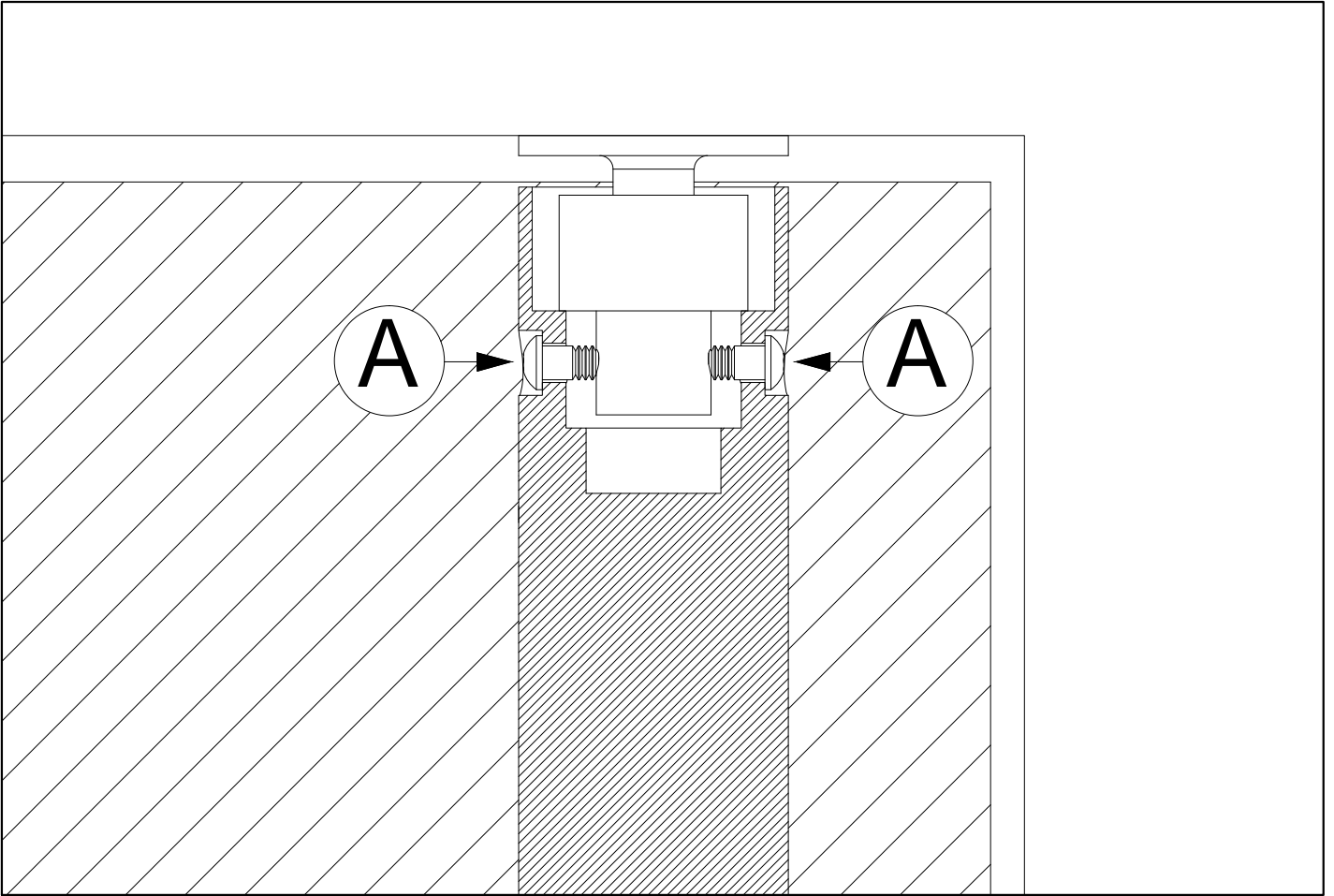
SC1.07

ZENITH SC1 - DOOR ADJUSTMENTS A - B - C - H - D

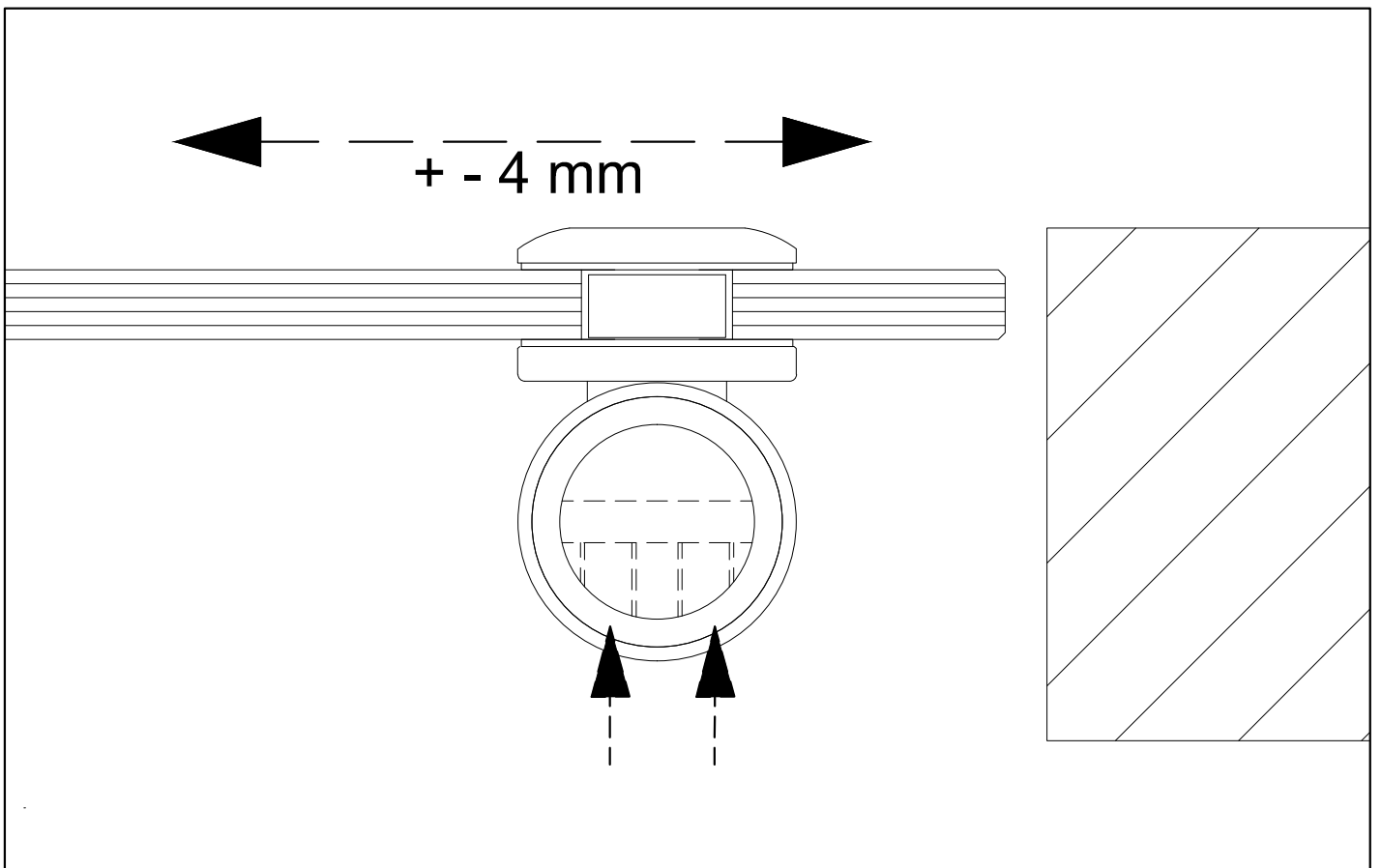
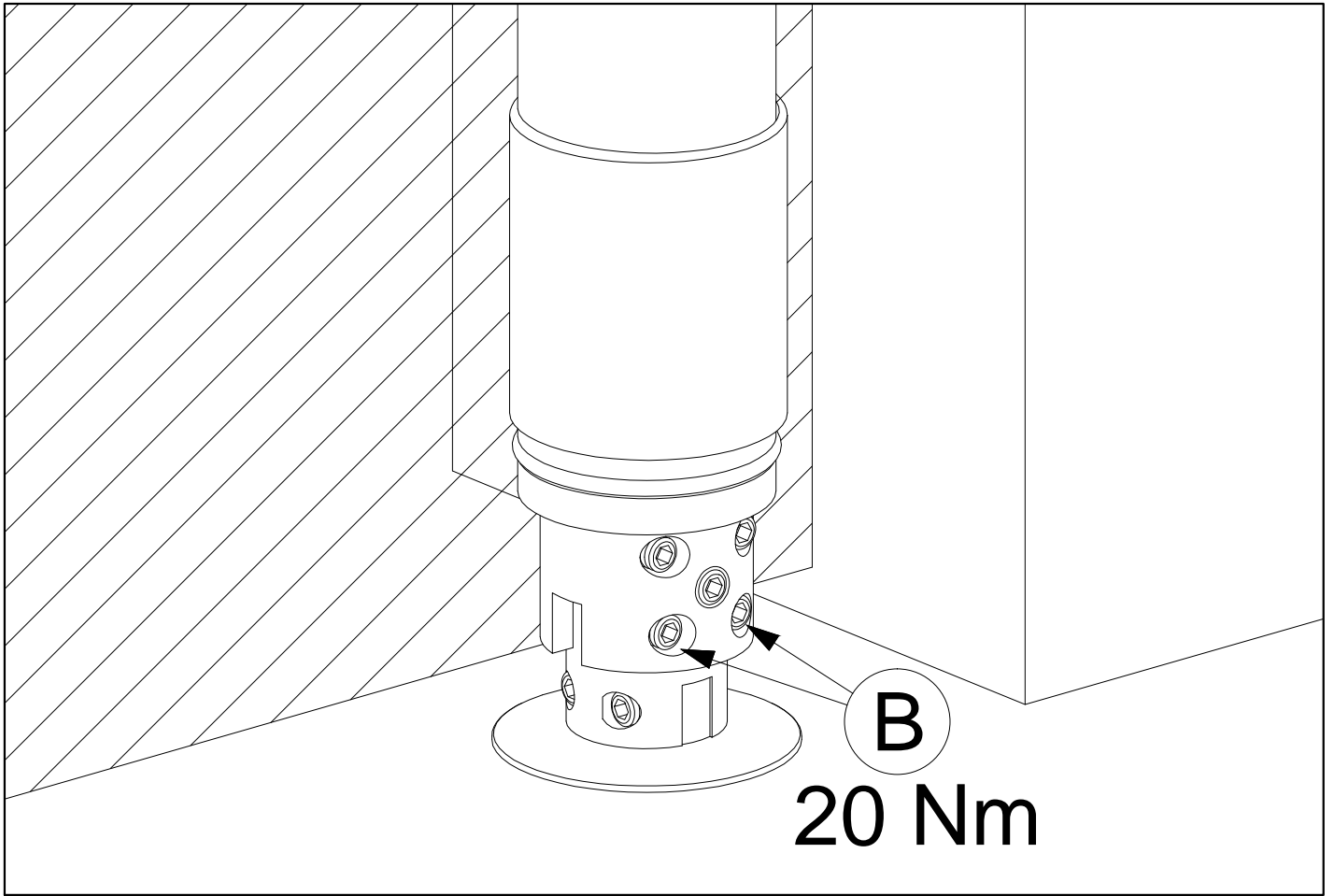


SC1.08

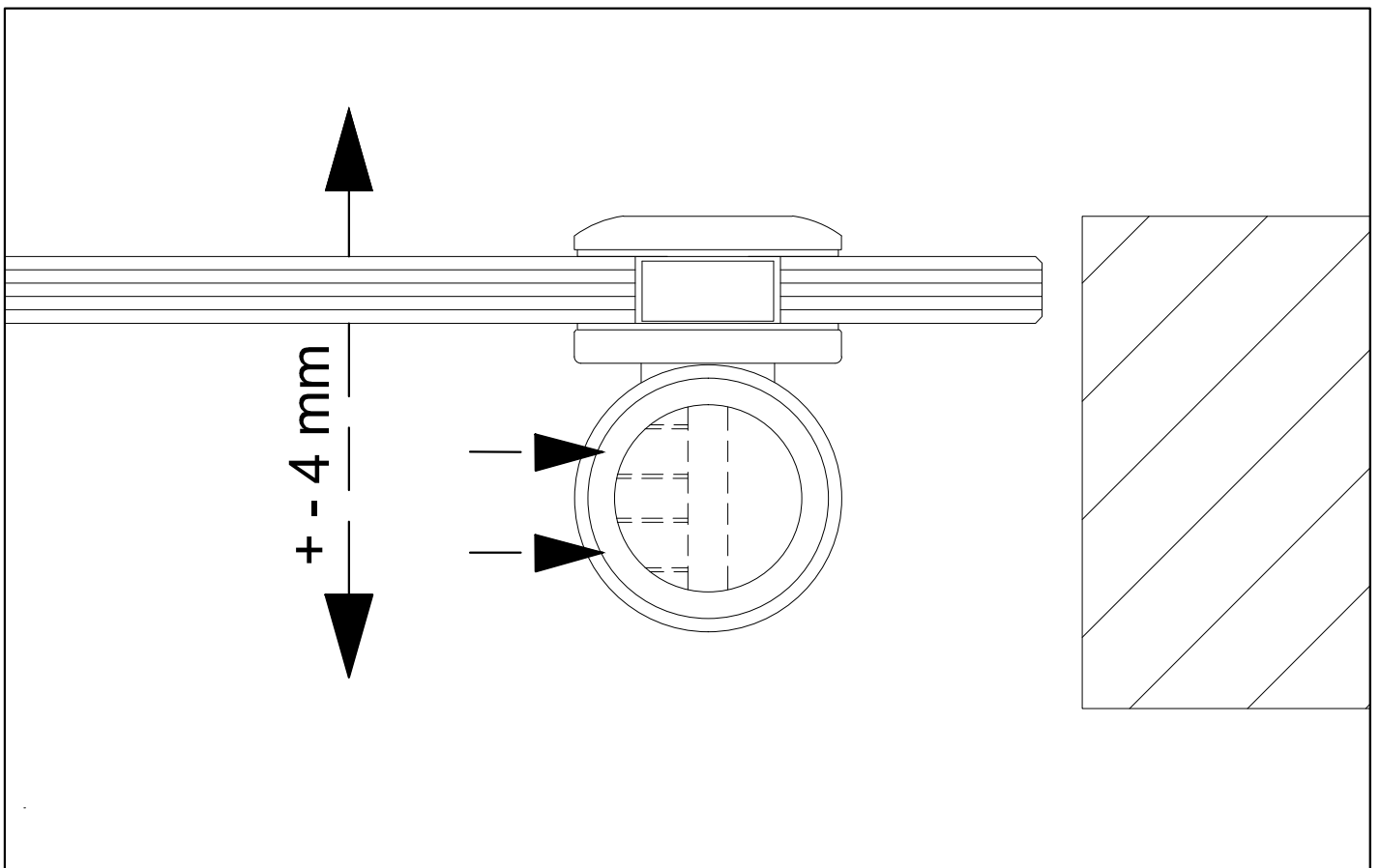
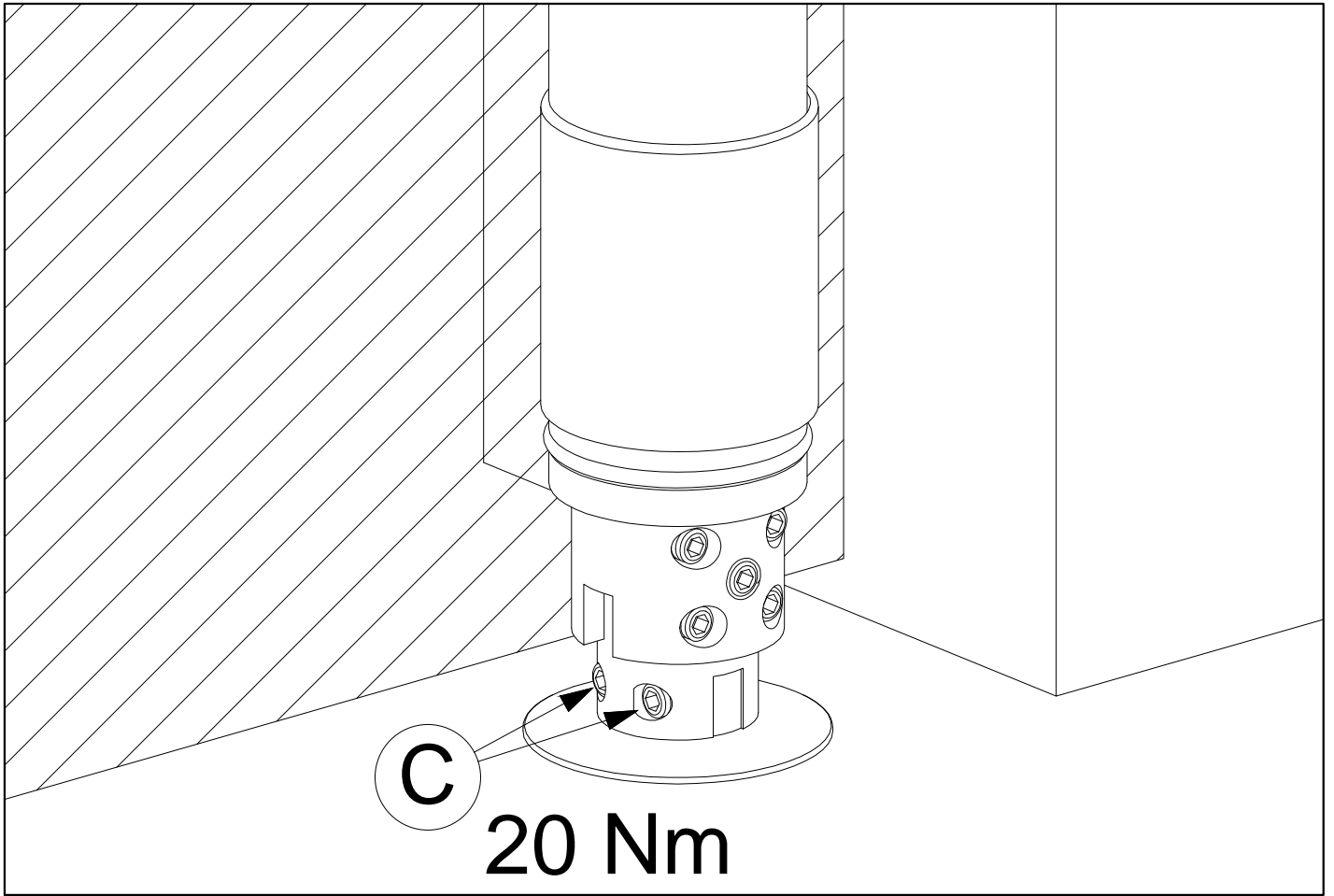
ZENITH SC1 - REMOVE THE **D** SCREWS BEFORE PROCEEDING WITH THE REGULATION OF THE DOOR'S ADJUSTMENTS



SC1.09	ZENITH SC1 - ADJUSTMENT - A - UPPER HINGE
---------------	---

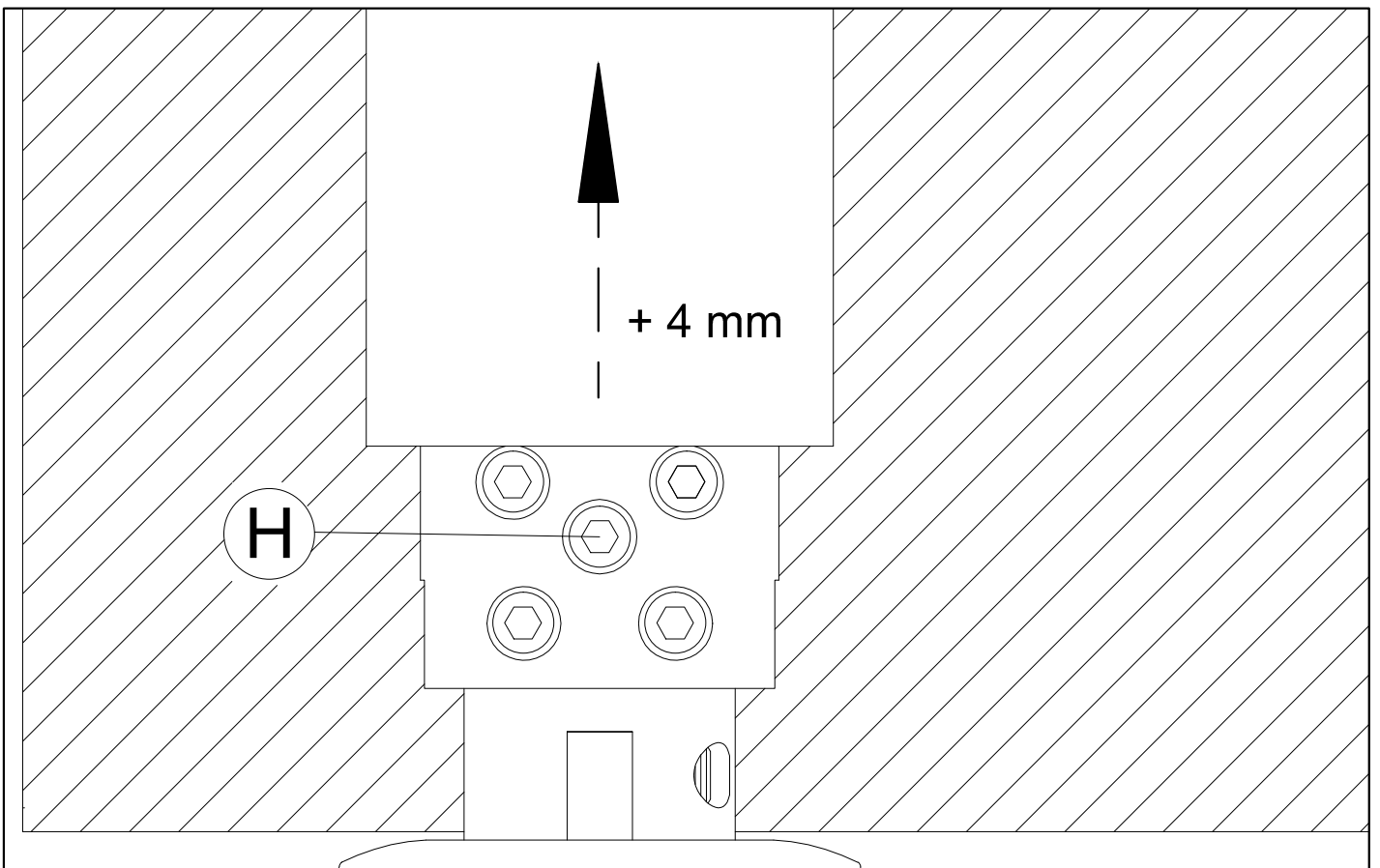
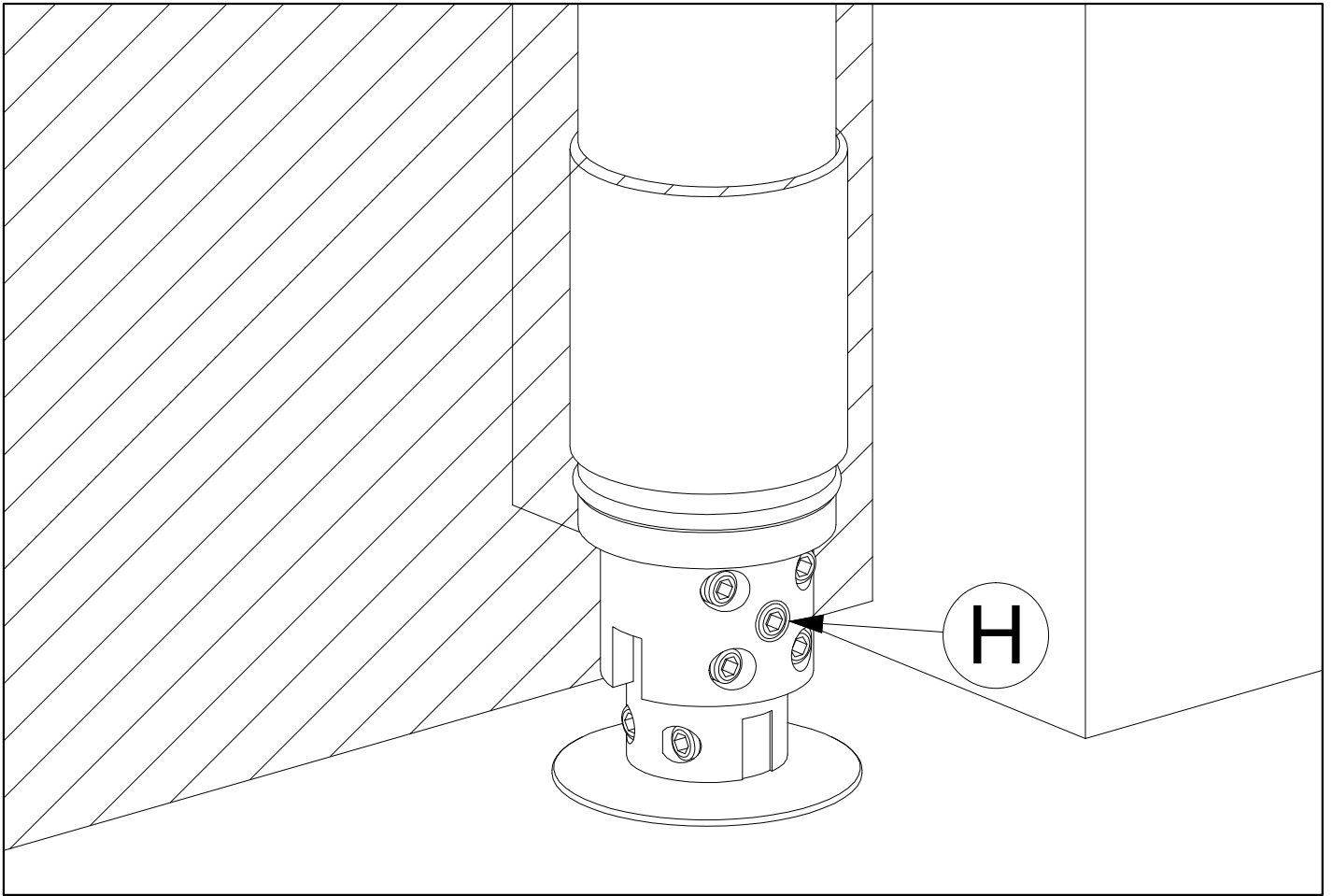


SC1.10	ZENITH SC1 - ADJUSTMENT - B - BOTTOM HINGE
--------	--



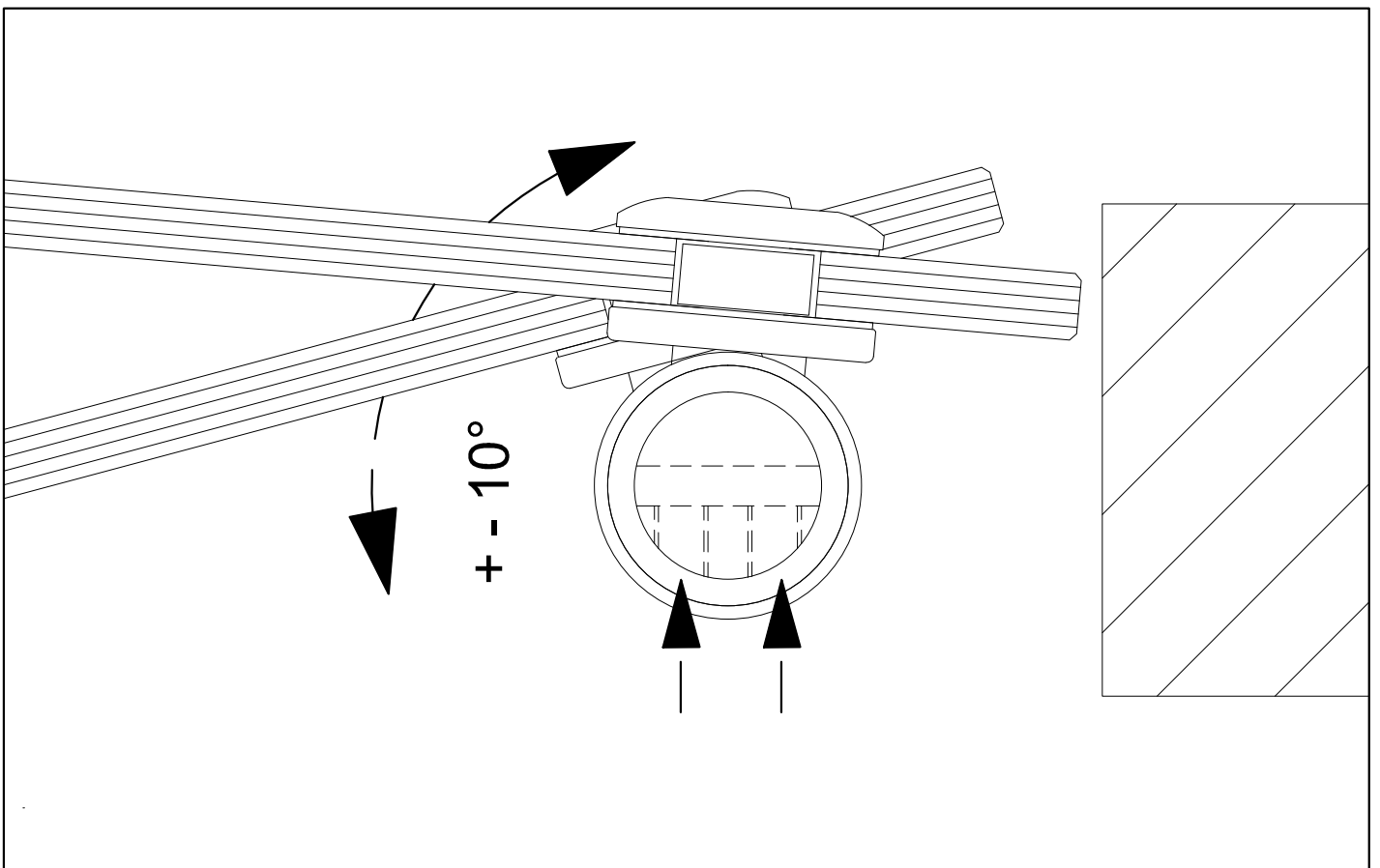
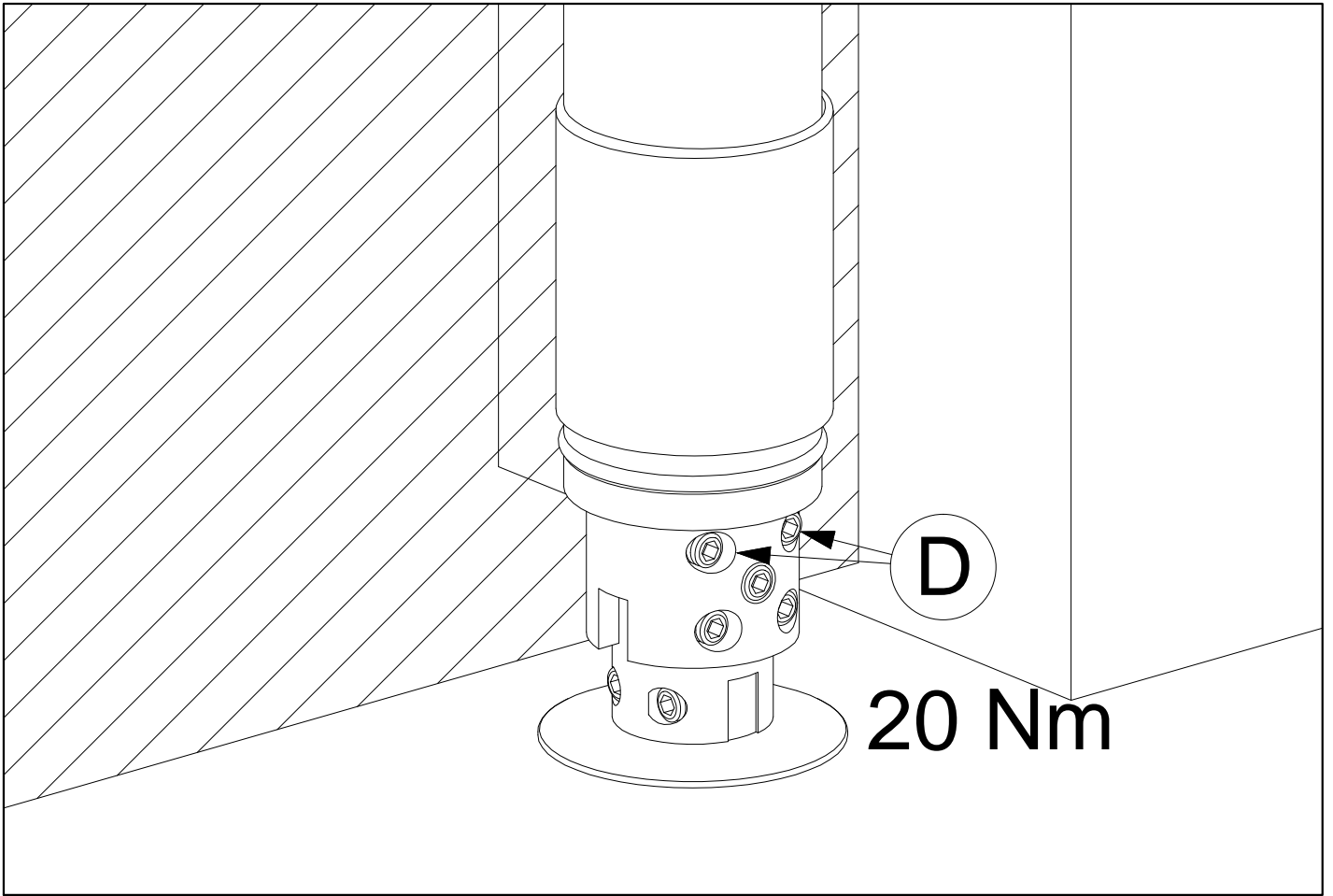
SC1.11

ZENITH SC1 - ADJUSTMENT - **C** - BOTTOM HINGE

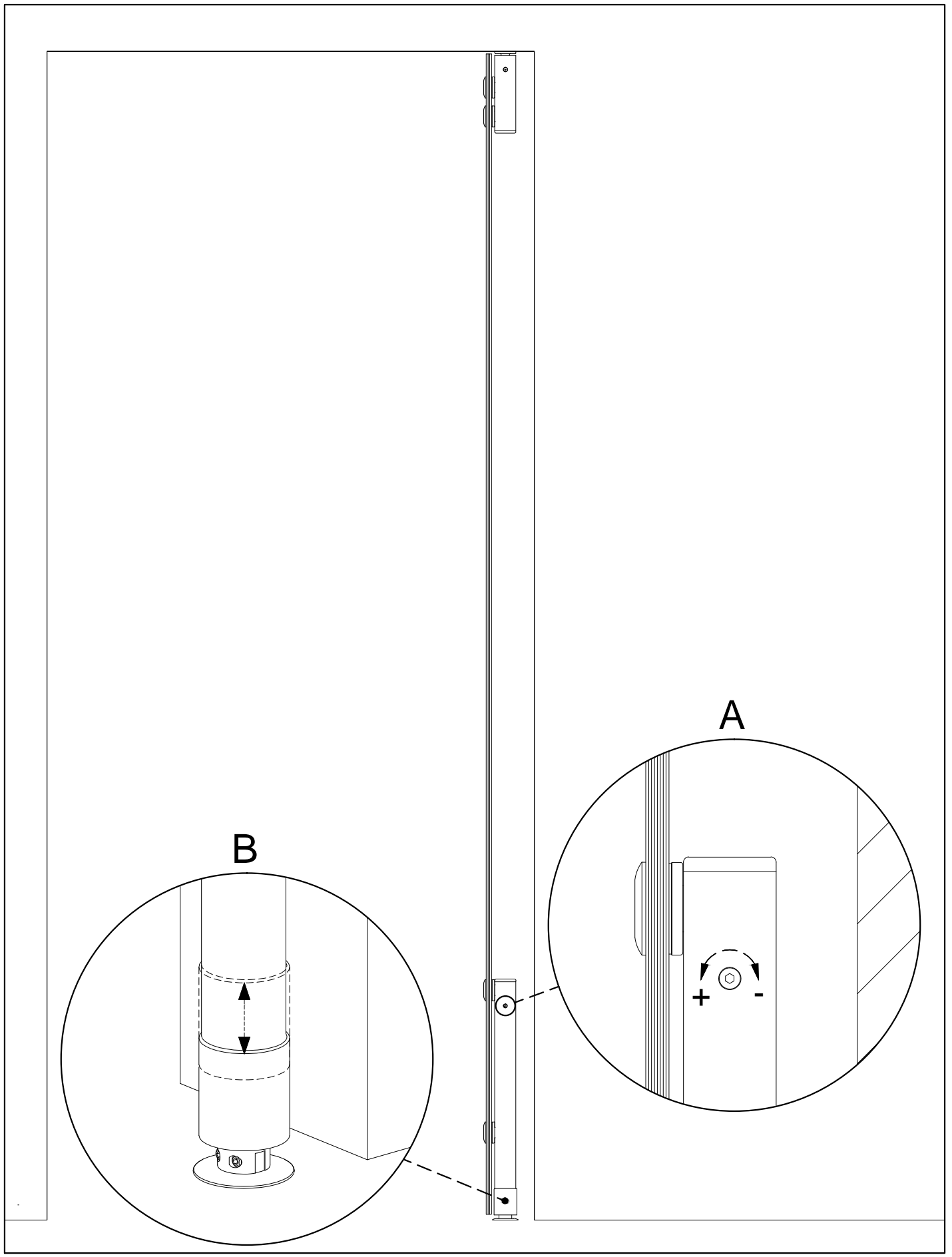


SC1.12

ZENITH SC1 - ADJUSTMENT - H - BOTTOM HINGE



SC1.13	ZENITH SC1 - ADJUSTMENT - D - BOTTOM HINGE
--------	--



SC1.14 ZENITH SC1 - CLOSING SPEED ADJUSTMENT - PICTURE **A** - LOWER THE FINISH RING AS SHOWN IN PICTURE **B**