



ALFA SRL

ZENITH SC - INSTALLATION INSTRUCTIONS

update 2.1
06/2018

GLASS DOOR WITH OVERPANEL

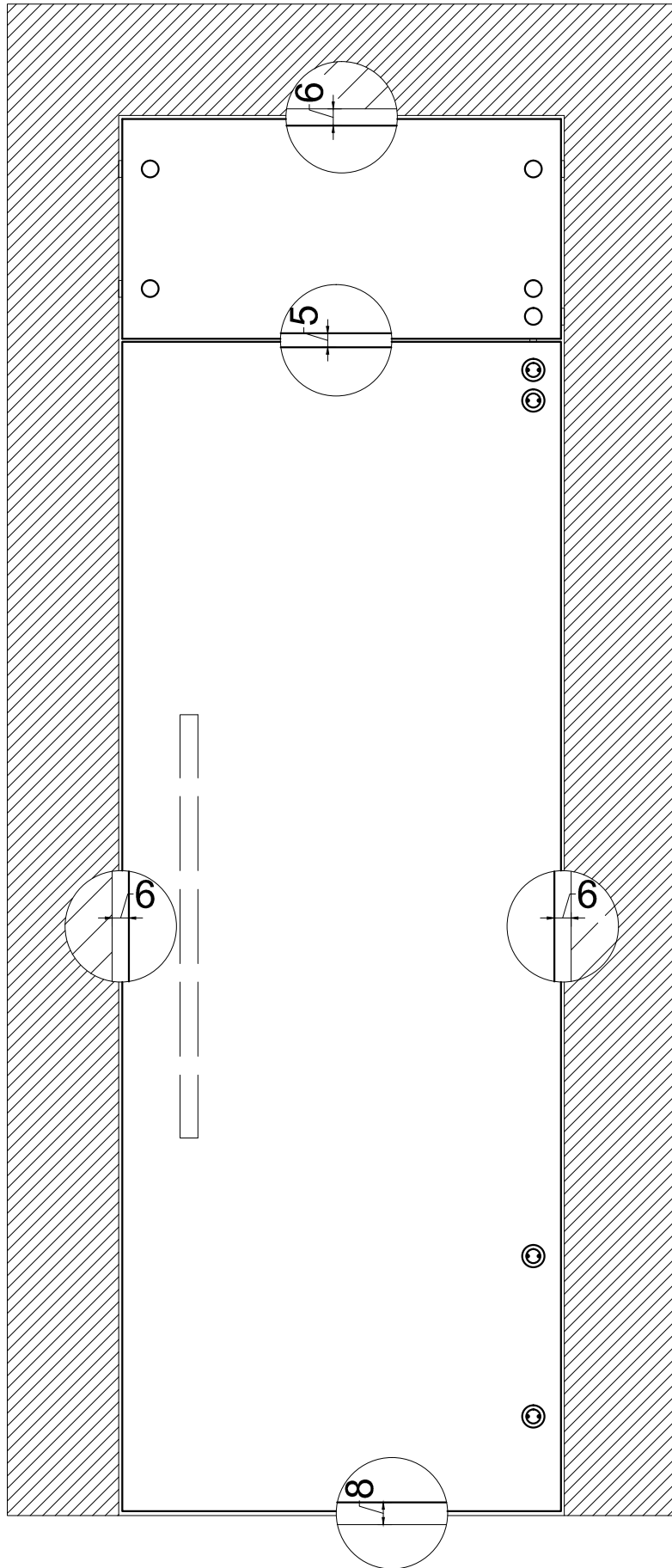
solutions SC2 and SSC2

with bottom plate

Note: for installation of the glass door see instructions SC1 and SSC1
with bottom plate

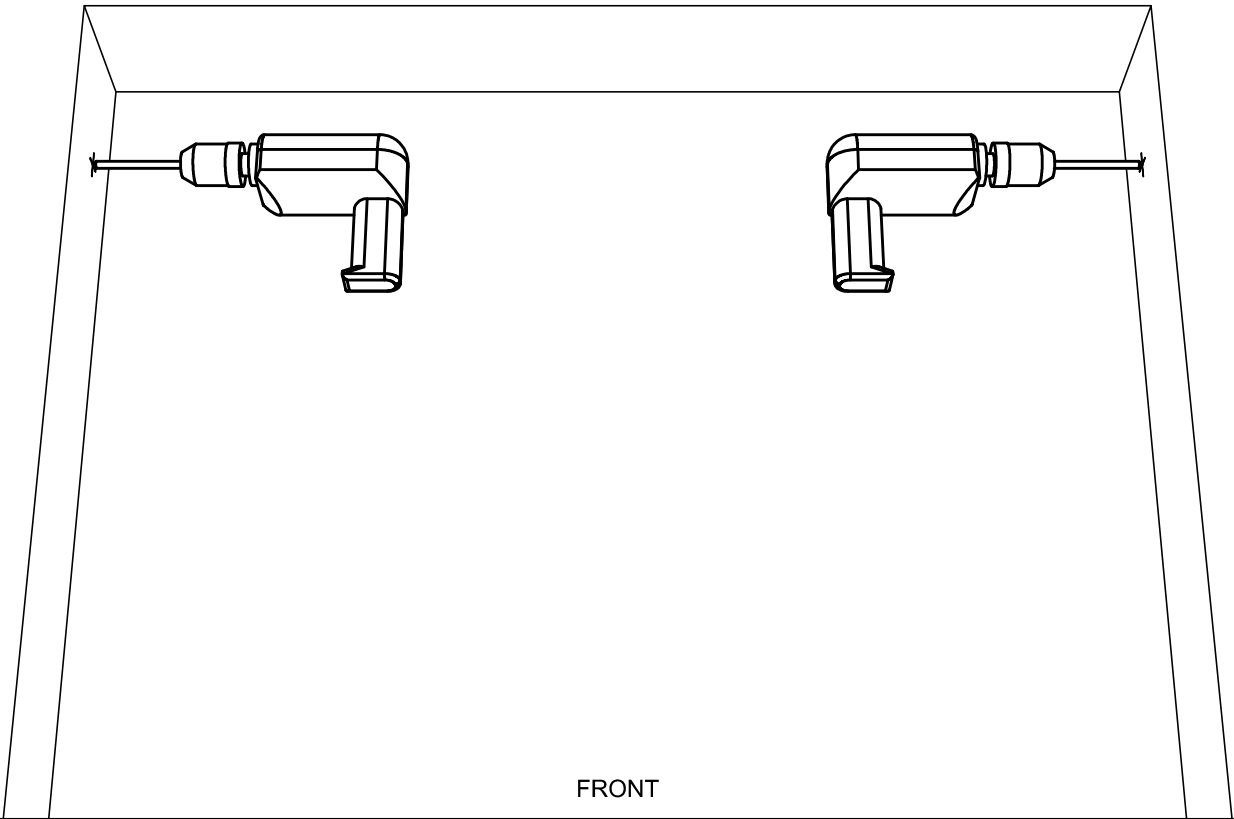
SC2.00

ZENITH SC2 - INSTALLATION INSTRUCTIONS
SINGLE GLASS DOOR WITH OVERPANEL



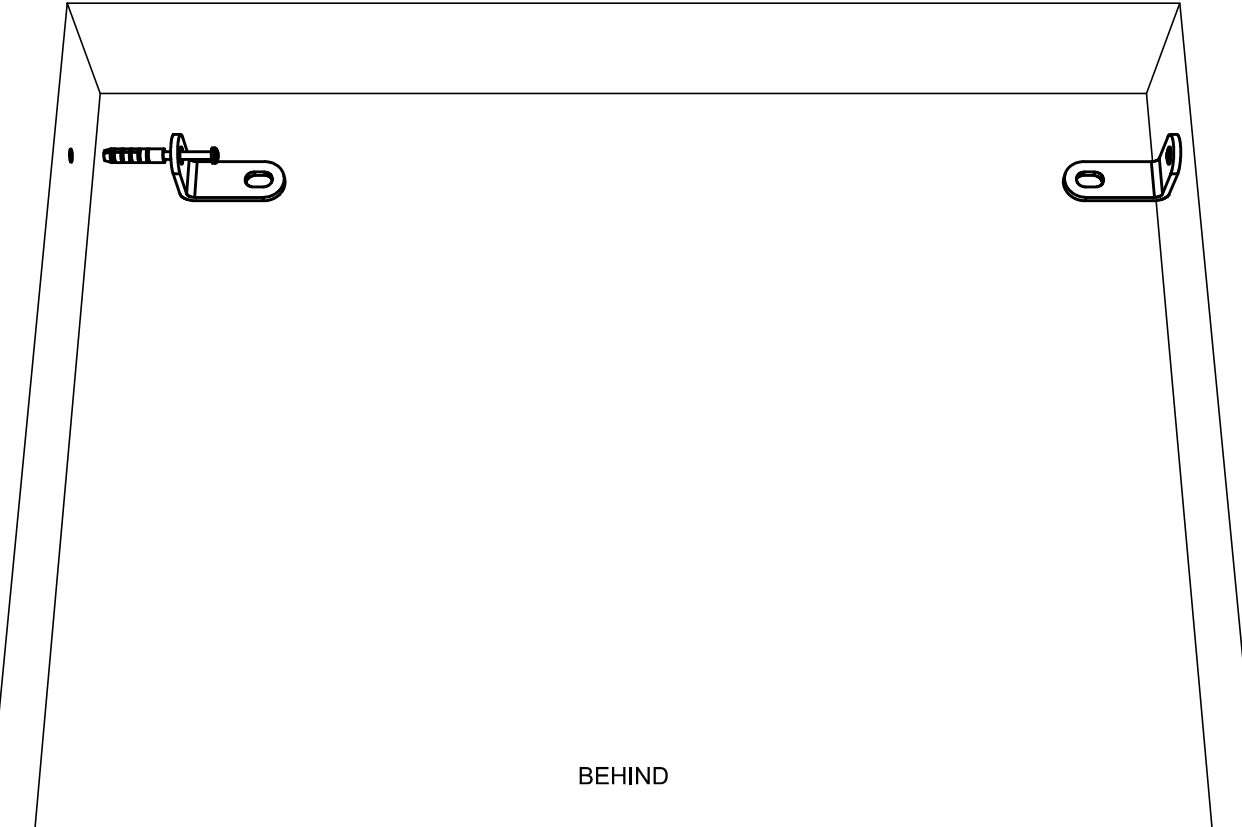
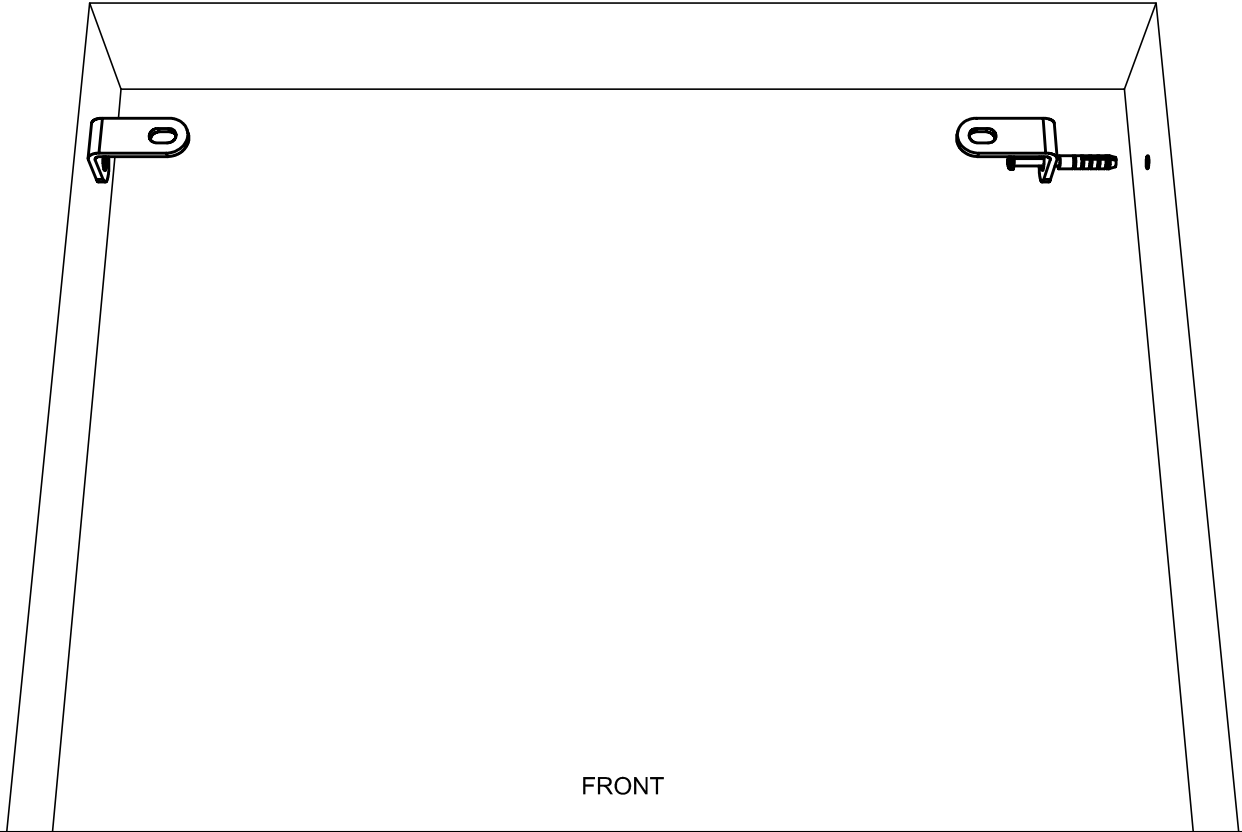
SC2.01

ZENITH SC2 - SINGLE GLASS DOOR WITH OVERPANEL



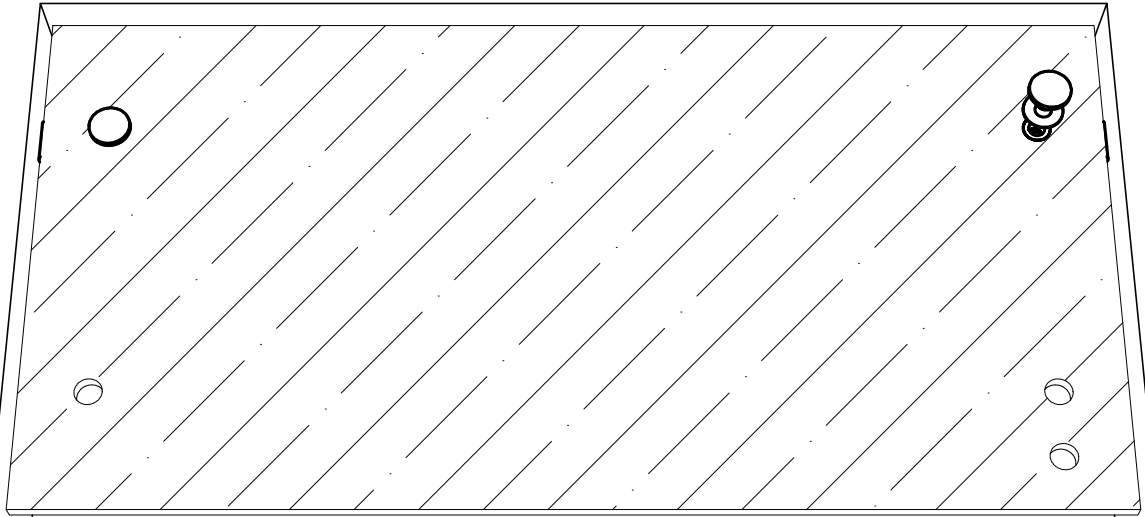
SC2.02

ZENITH SC2 - HOLE FOR TOP WALL ACCESSORY

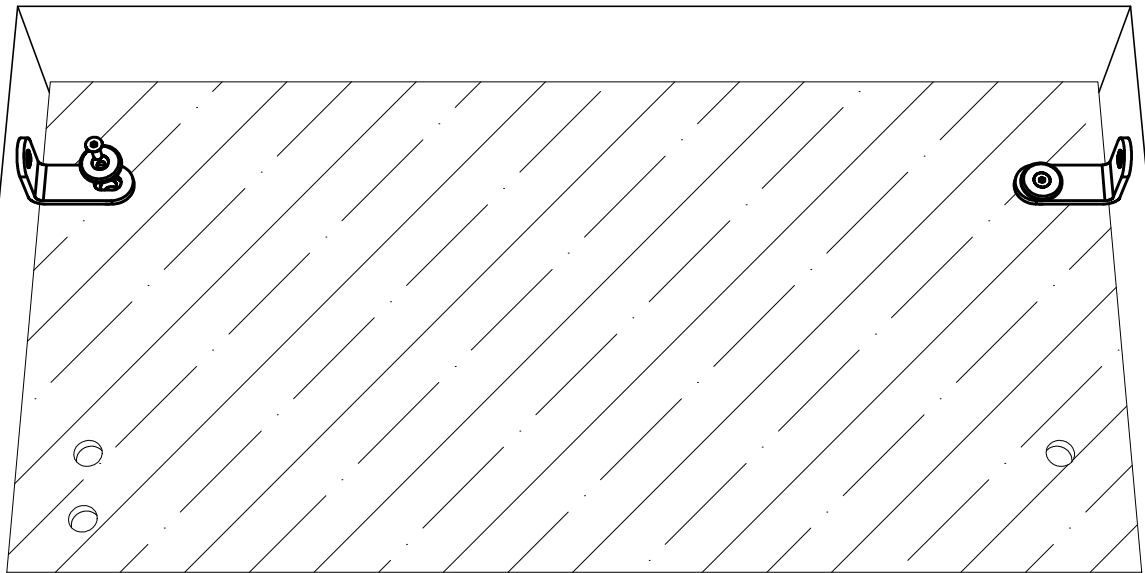


SC2.03

ZENITH SC2 - FIX THE TOP BRACKETS



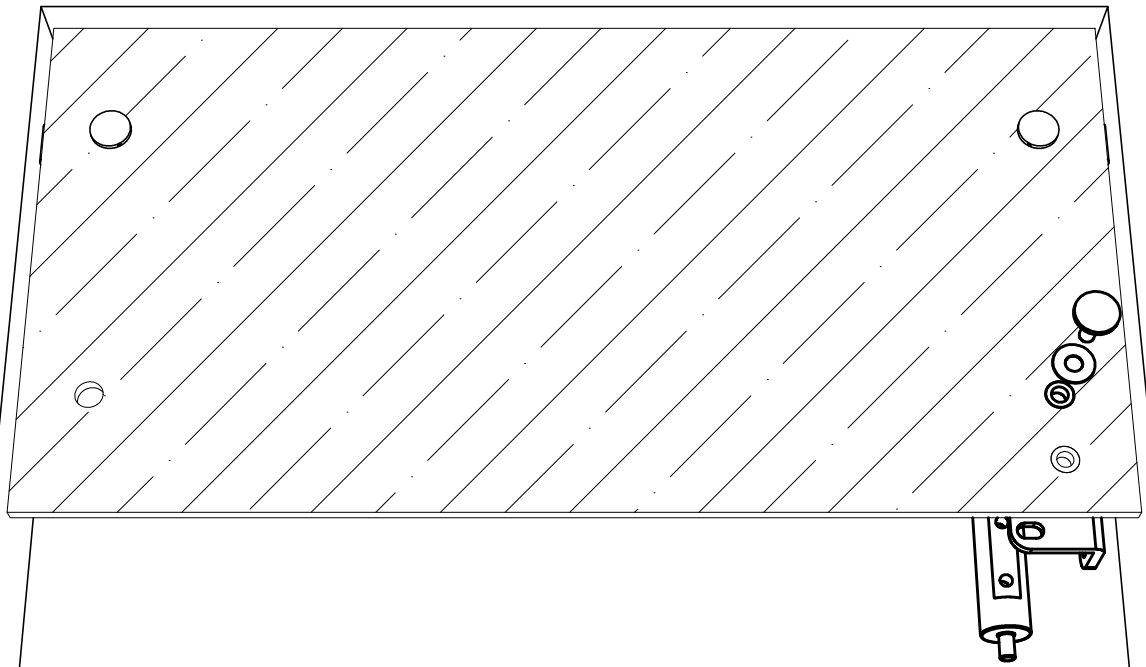
FRONT



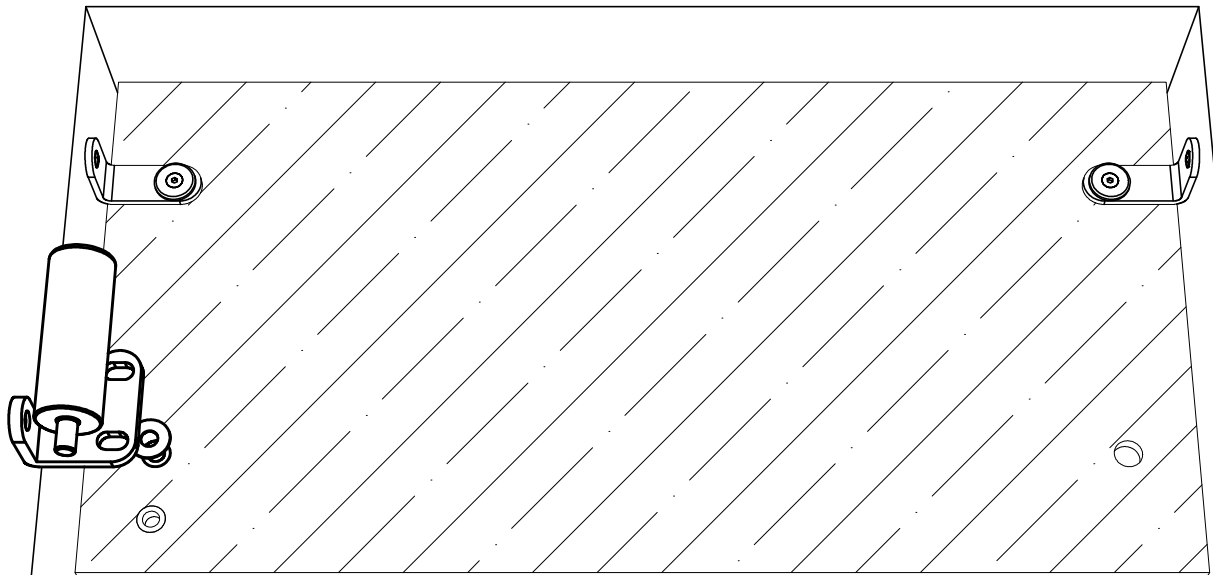
BEHIND

SC2.04

ZENITH SC2 - INSTALL THE OVERPANEL



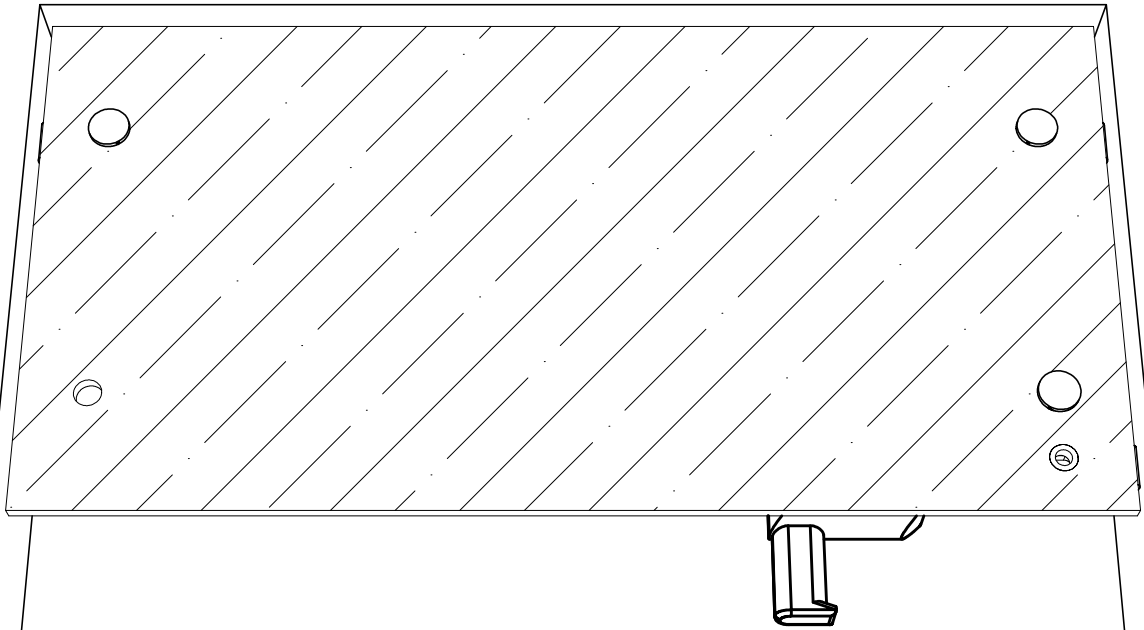
FRONT



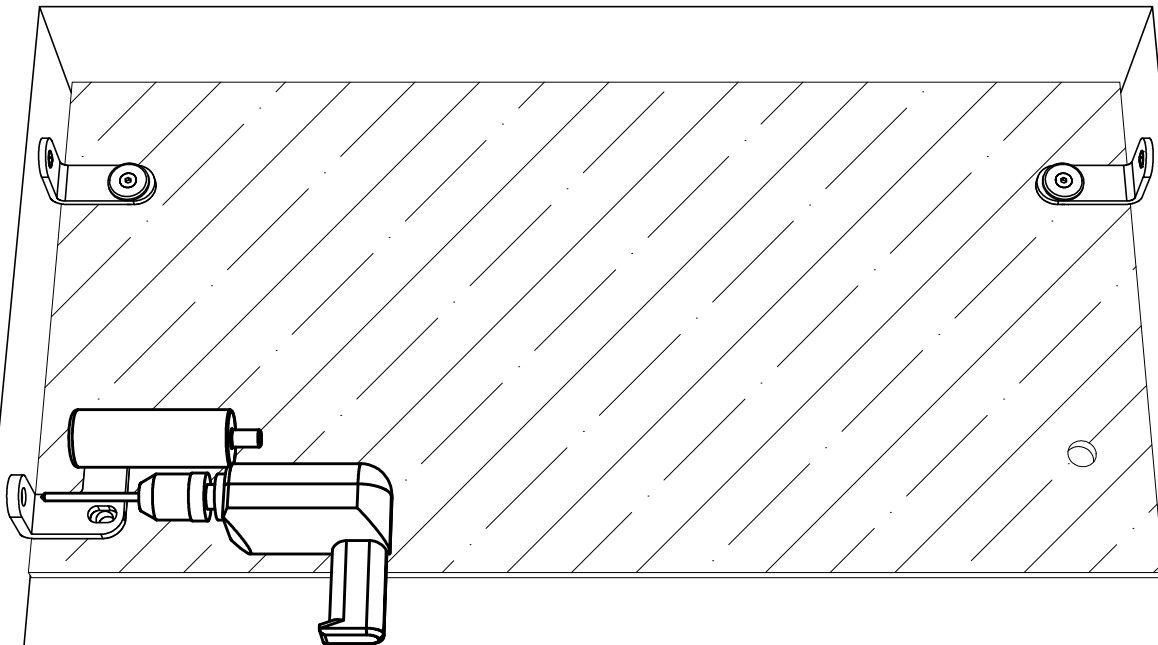
BEHIND

SC2.05

ZENITH SC2 - FIX UP THE INDICATED ACCESSORY WITH ONLY THE TOP PIVOT



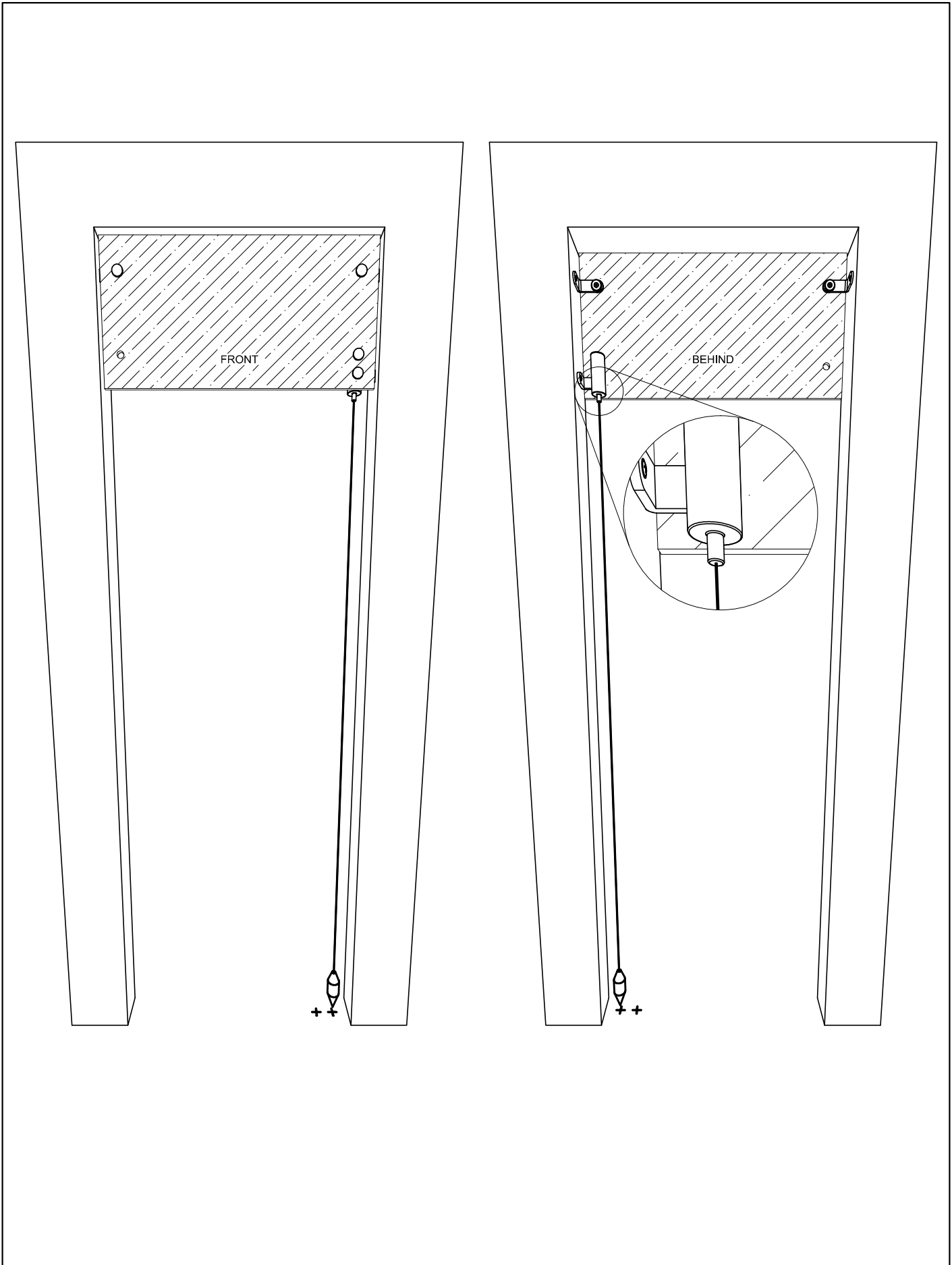
FRONT



BEHIND

SC2.06

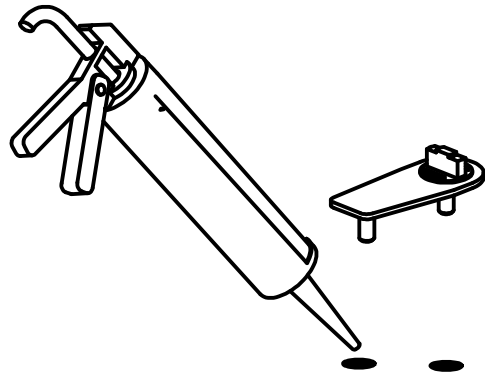
ZENITH SC2 - DRILL THE WALL AS INDICATED



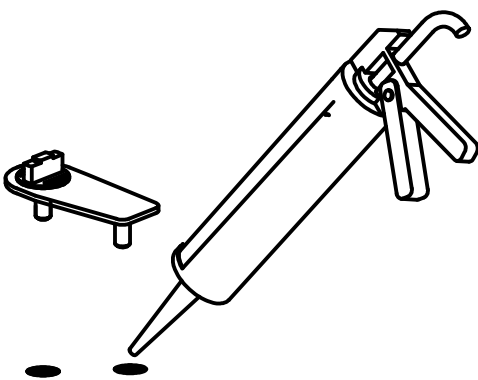
SC2.07

ZENITH SC2 - FIND THE CORRECT POSITION IN THE FLOOR AS INDICATED

FRONT



BEHIND

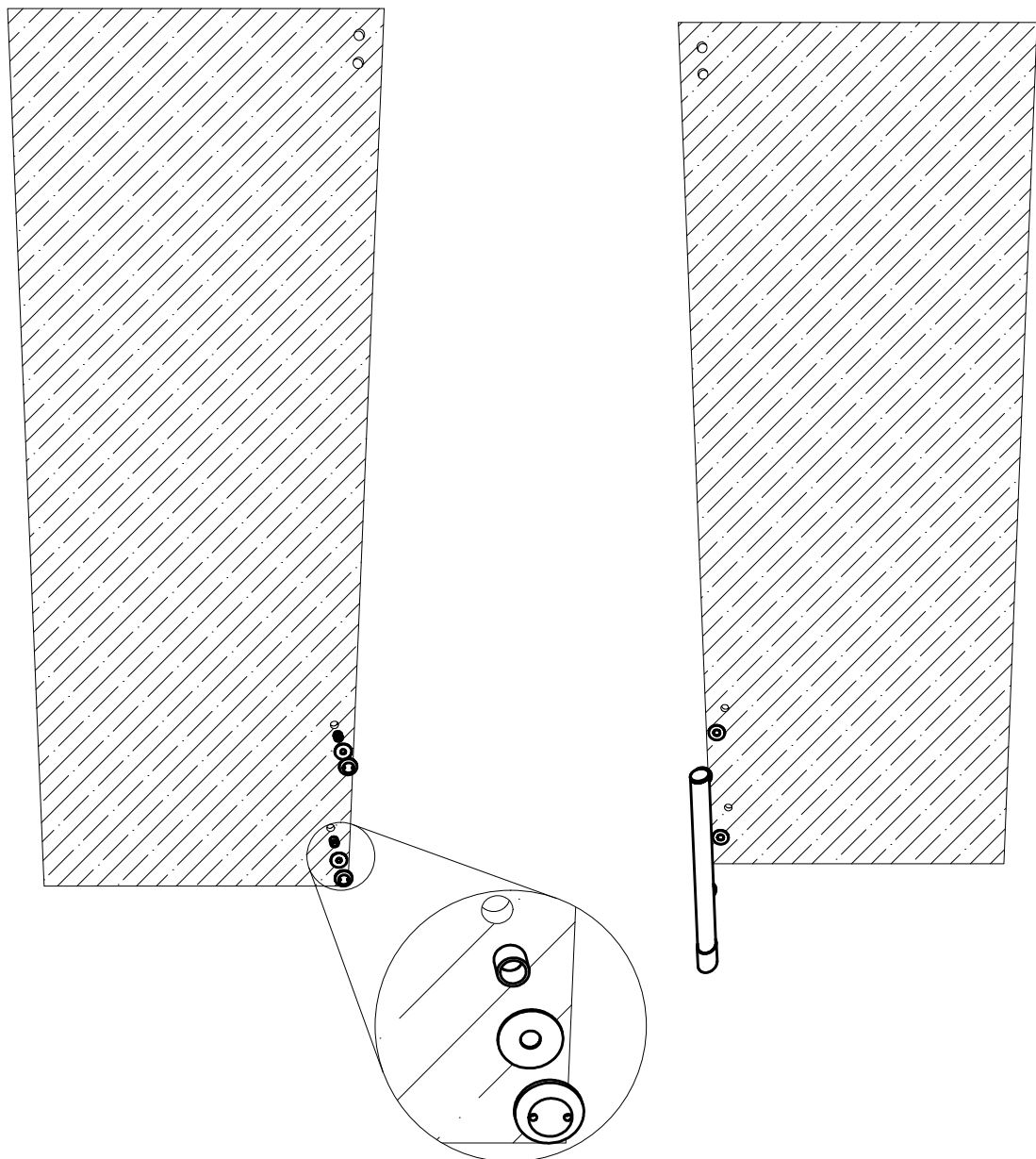


SC2.08

ZENITH SC2 - PERFORATE AND ANCHOR THE BOTTOM
ACCESSORY INTO THE FLOOR

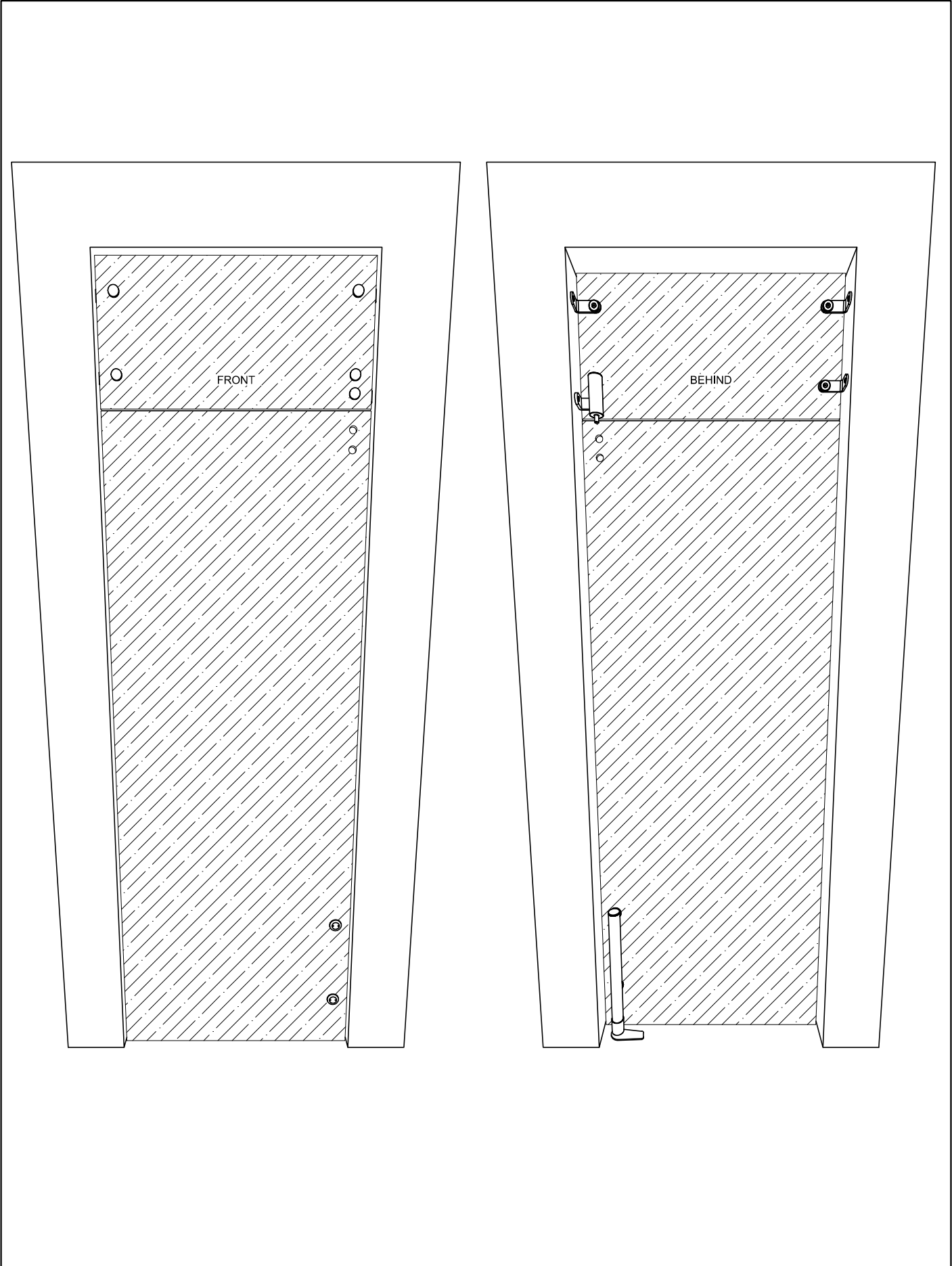
FRONT

BEHIND



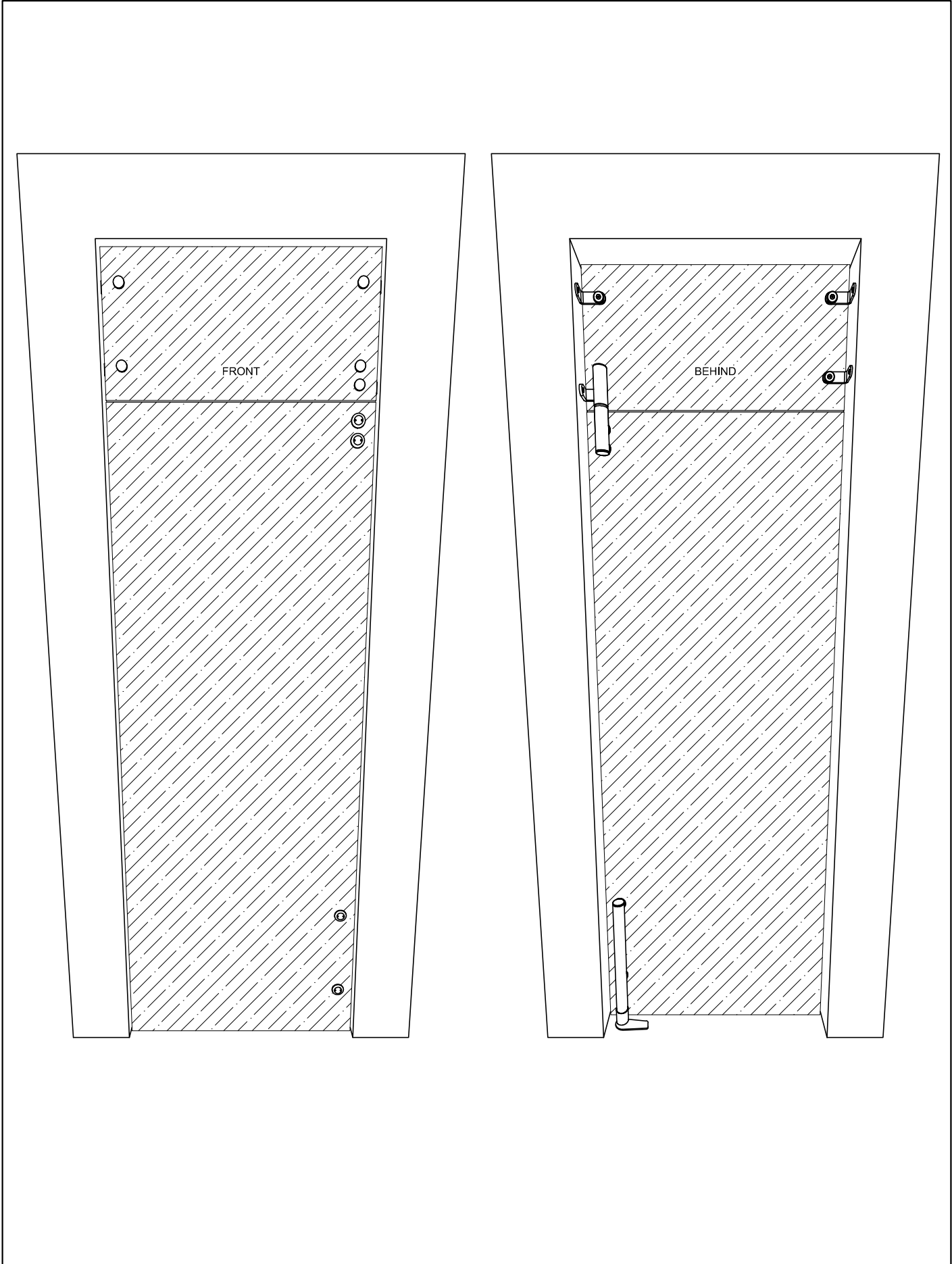
SC2.09

ZENITH SC2 - INSTALL THE DOOR CLOSER ON THE DOOR



SC2.10

ZENITH SC2 - FIT THE GLASS DOOR AS INDICATED



SC2.11	ZENITH SC2 - INSTALL THE REMAINING ACCESSORIES OF THE DOOR CLOSER AND THE WALL BRACKETS
---------------	--