



ALFA SRL

ZENITH D - INSTALLATION INSTRUCTIONS

update 1.1
03/2018

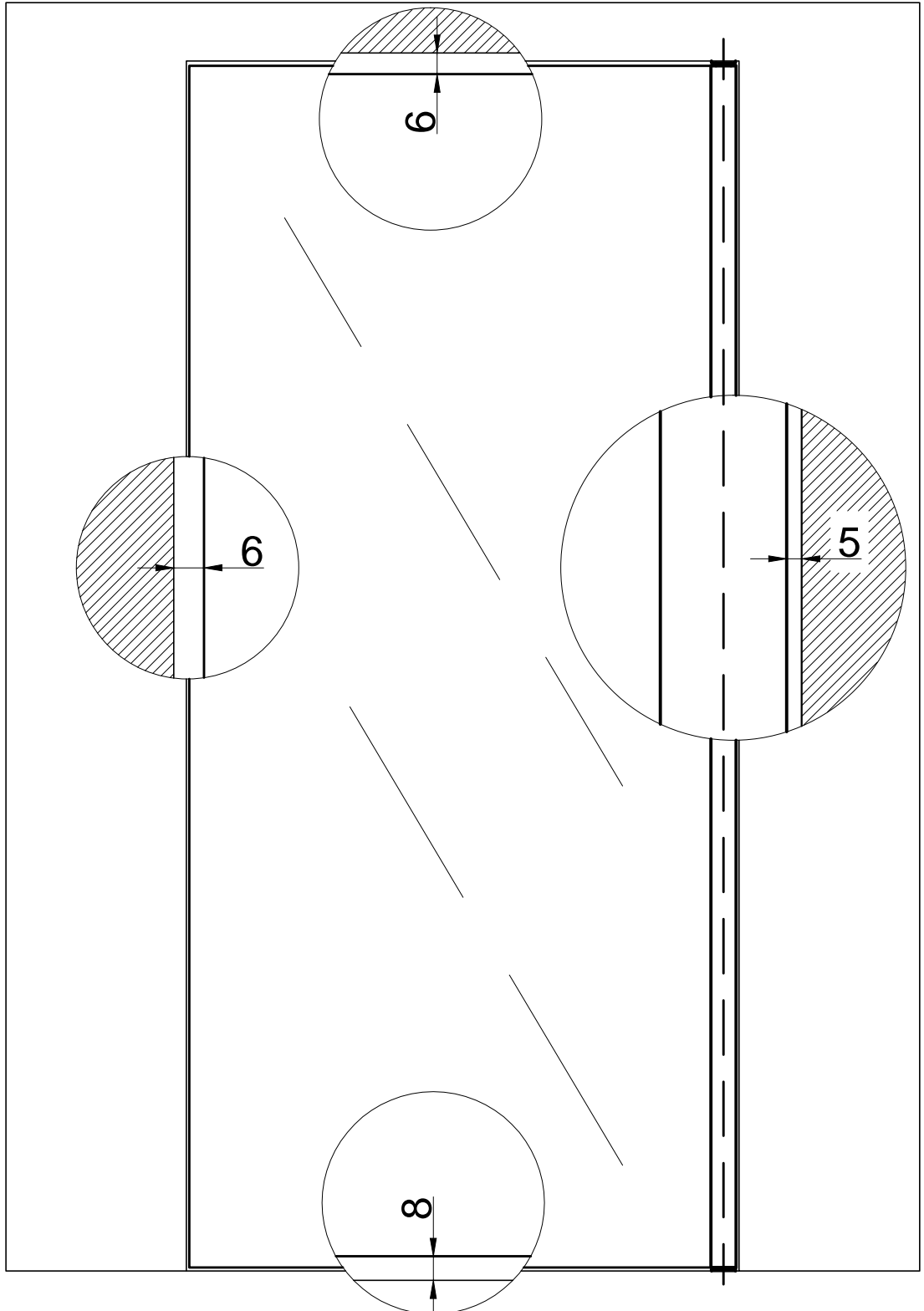
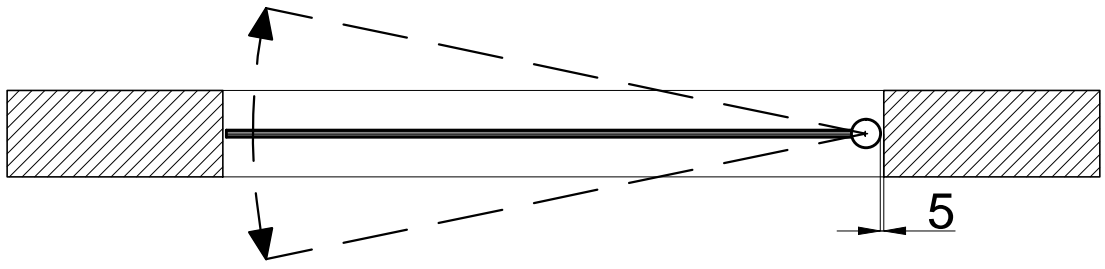
GLASS DOOR

solutions D1 and DD1

solutions D1 L and DD1 L

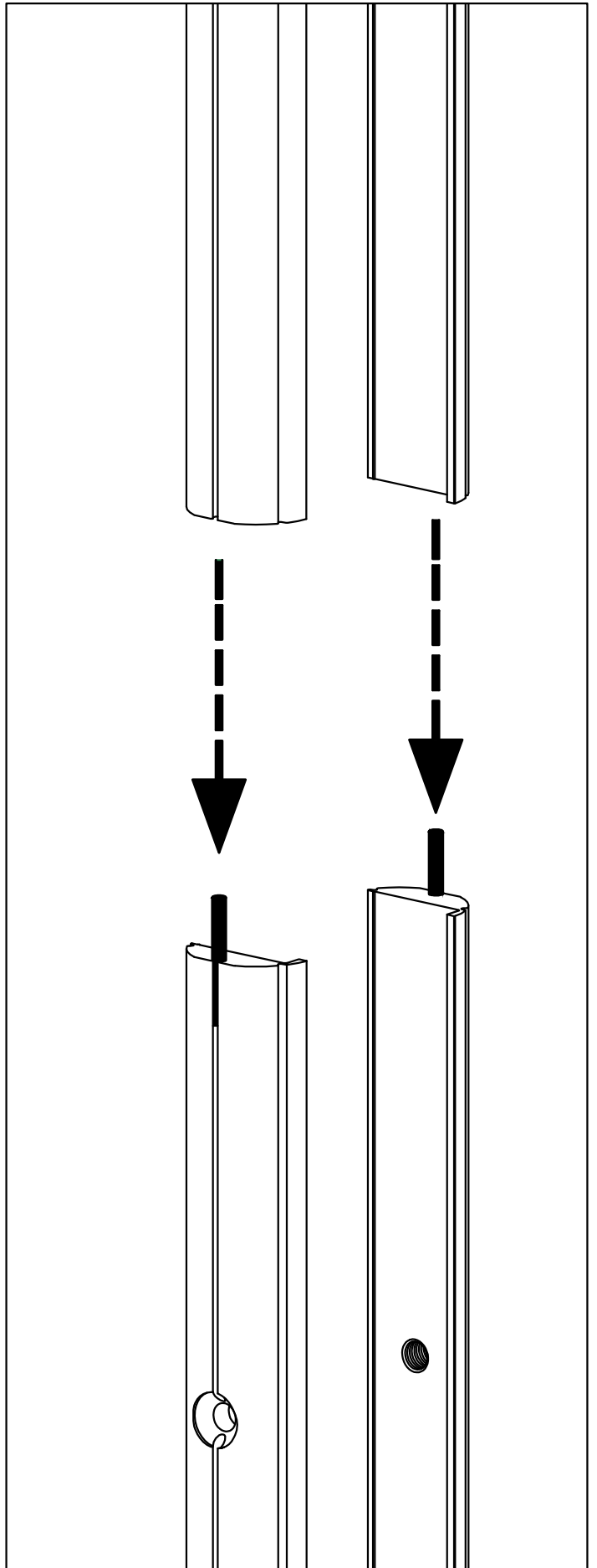
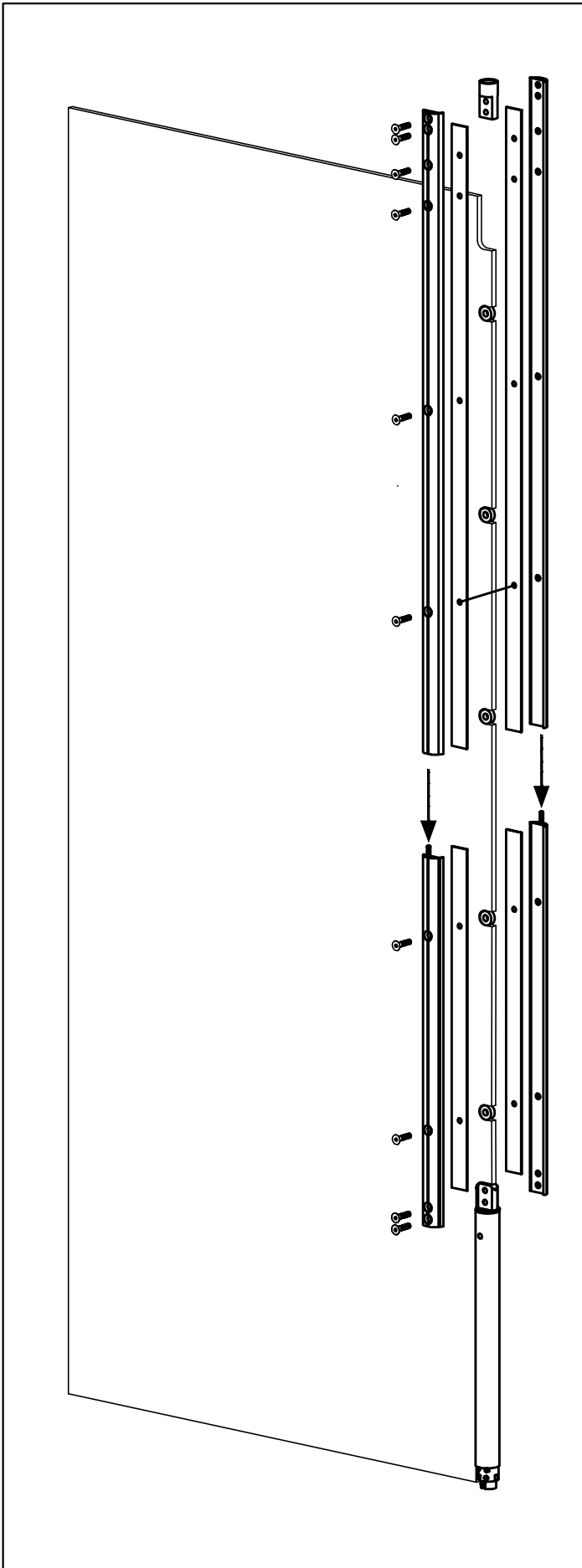
D1.00

- ZENITH D1 -
INSTALLATION INSTRUCTIONS
GLASS DOOR



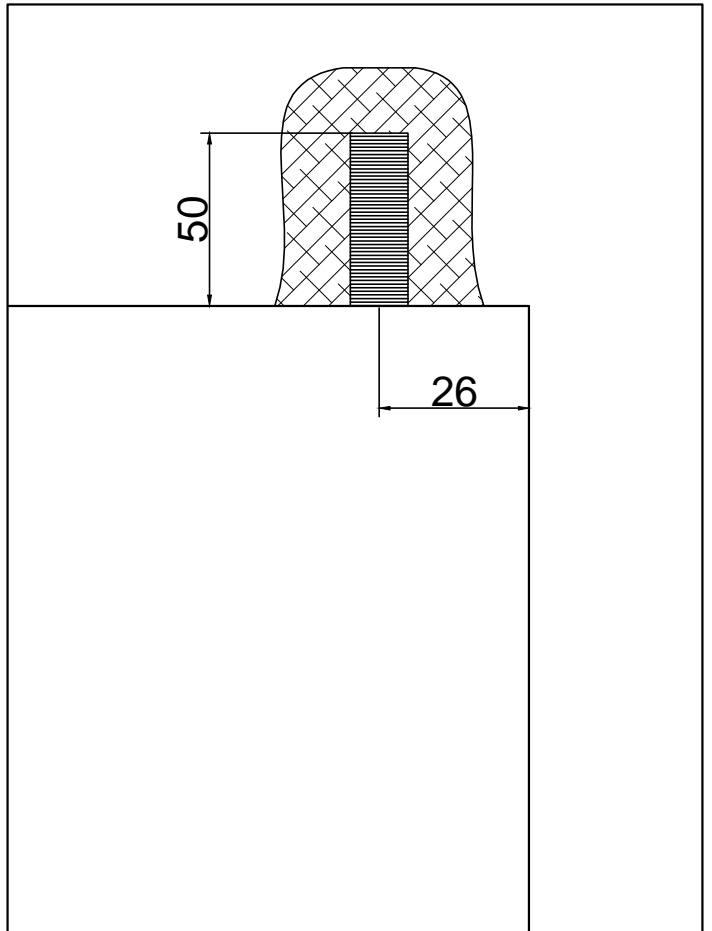
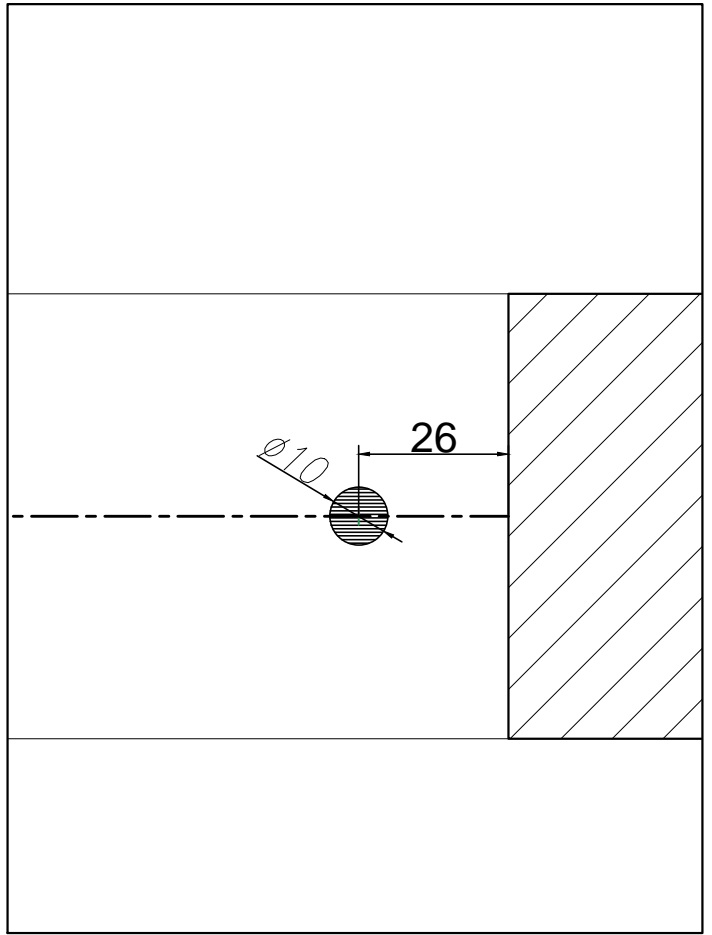
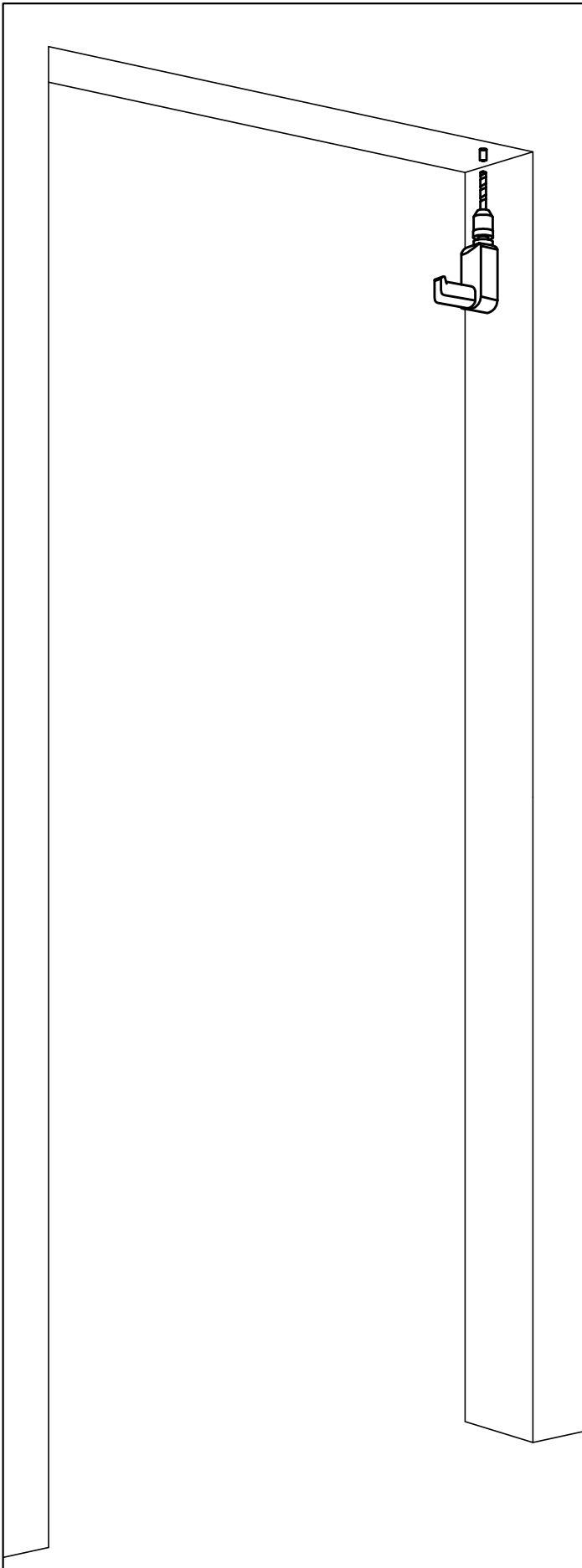
D1.01

ZENITH D1 - APPLICATION ON SINGLE GLASS DOOR



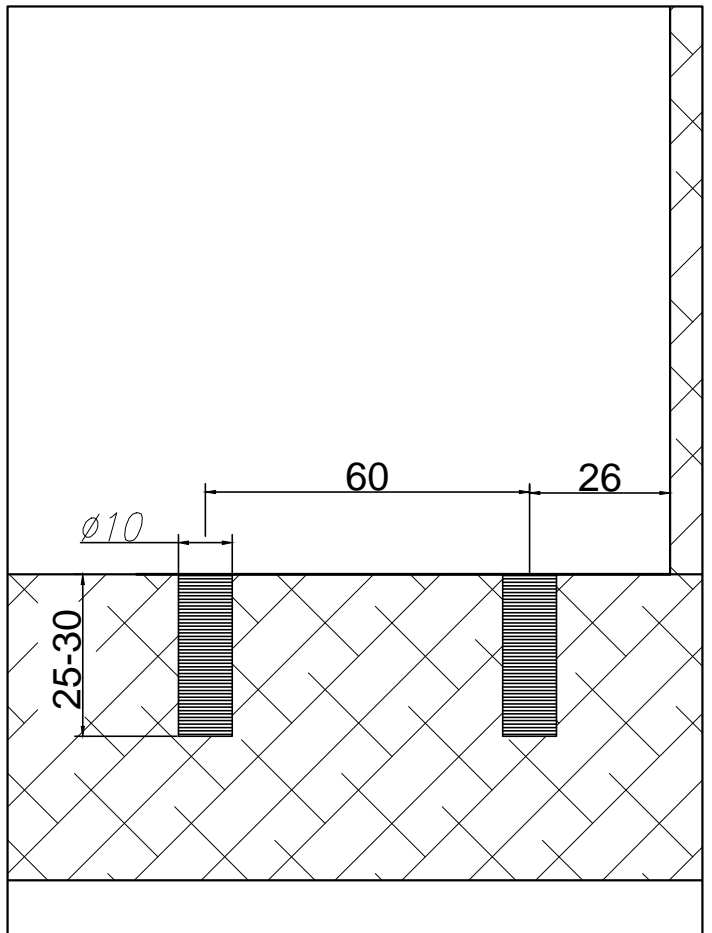
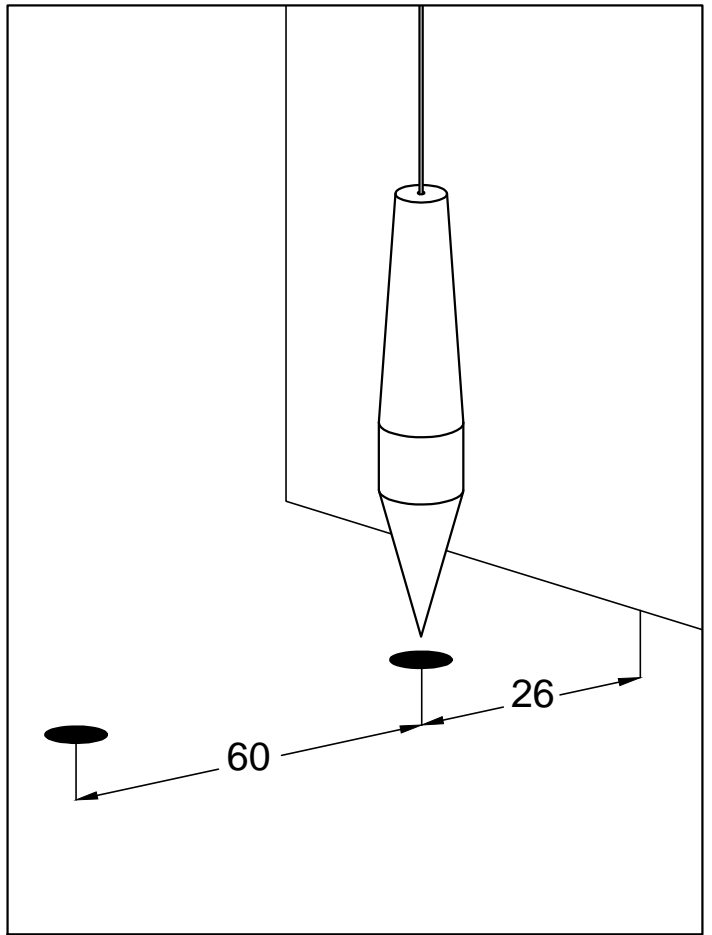
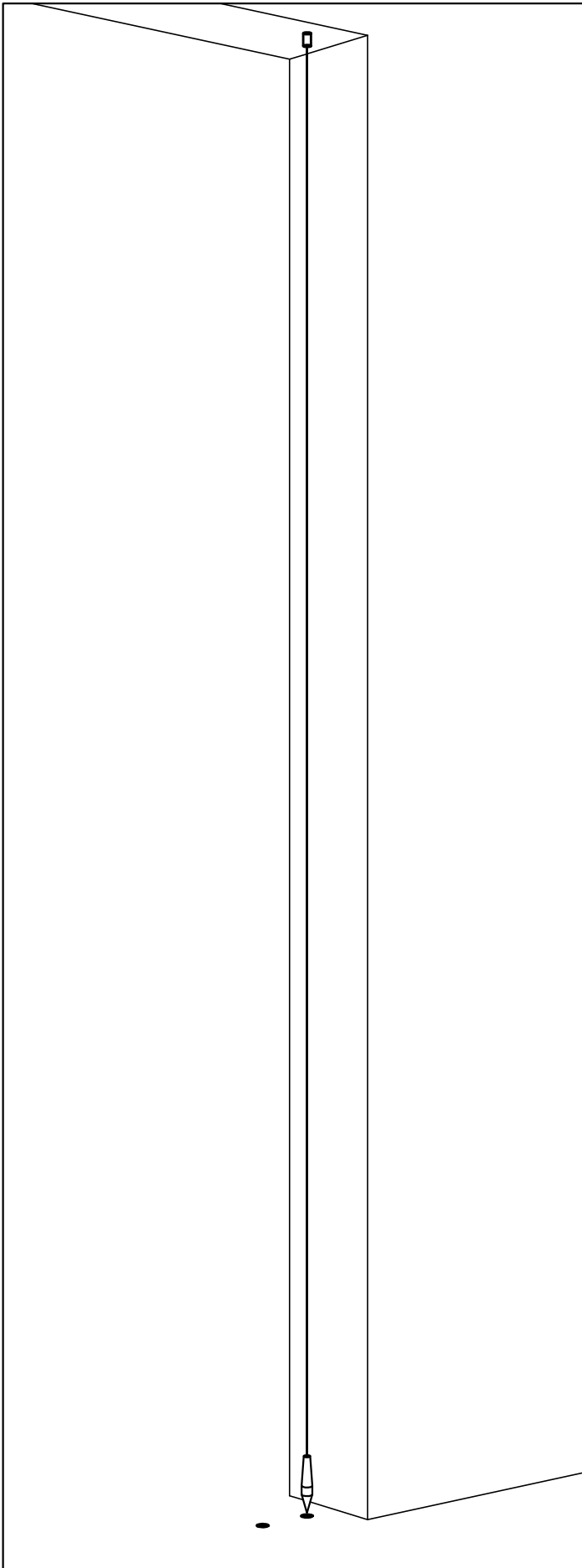
D1.02

ZENITH D1 - BEFORE THE INSTALLATION OF THE DOOR, FASTENING ALUMINIUM BARS AND MOUNTING THE SYSTEM ON THE GLASS DOOR



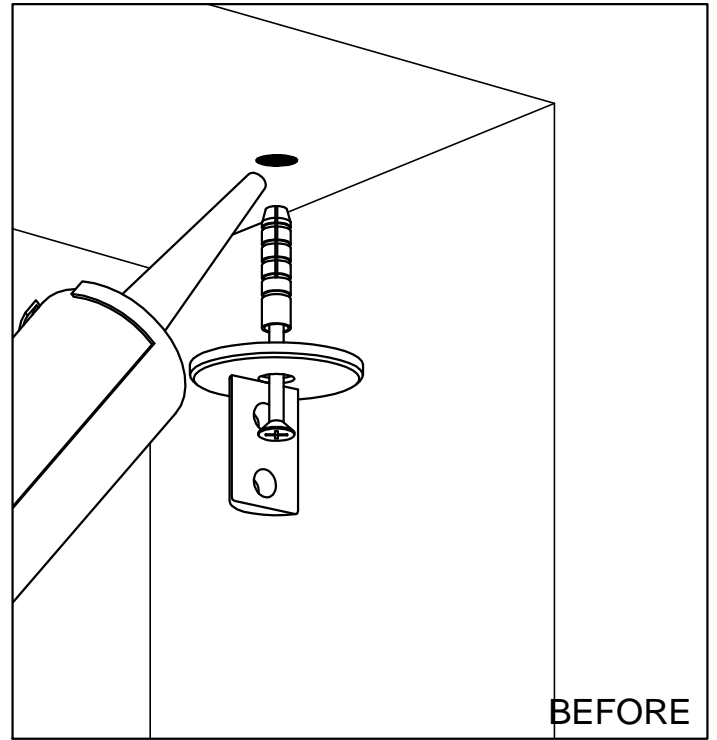
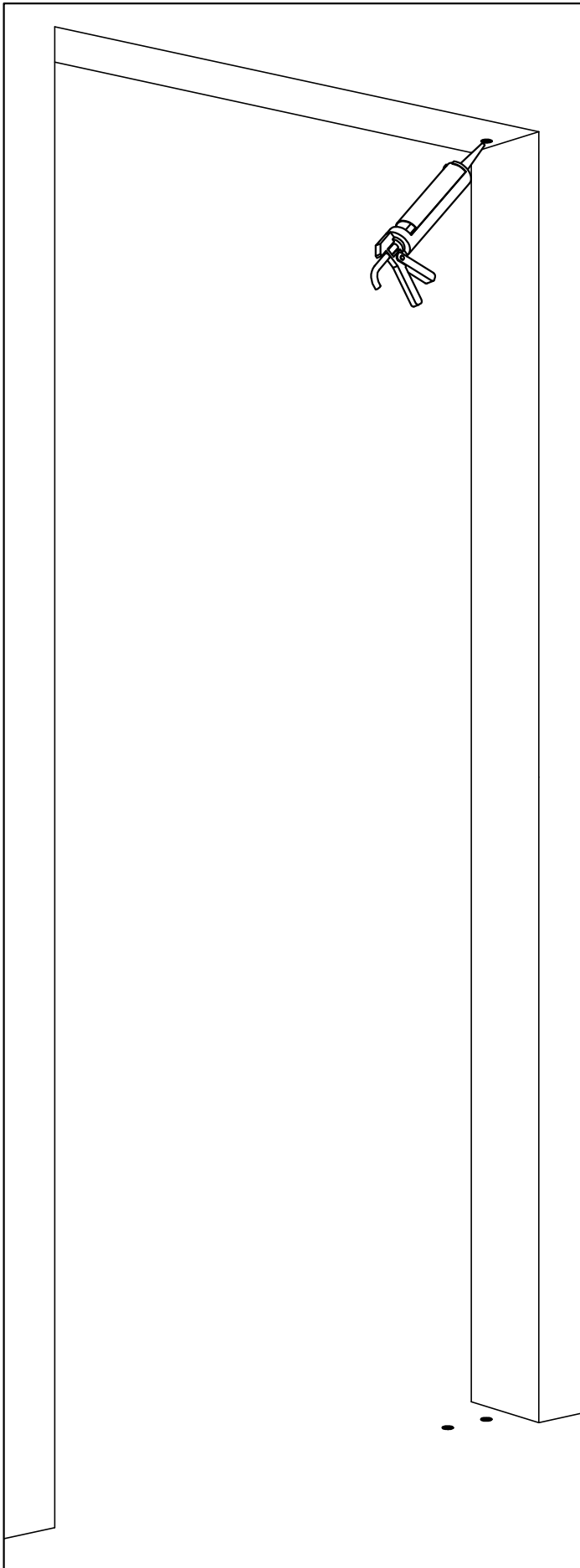
D1.03

ZENITH D1 - HOLE FOR TOP WALL ACCESSORY

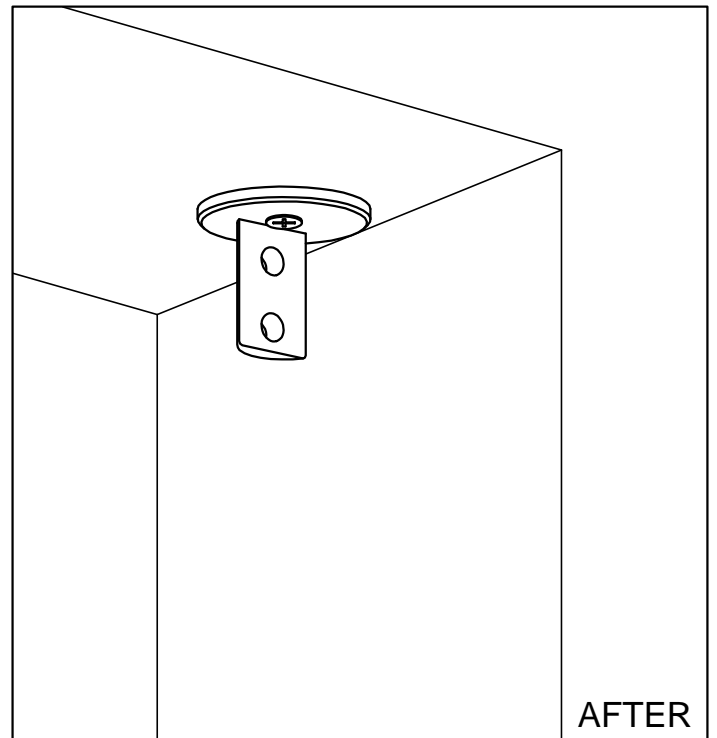


D1.04

ZENITH D1 - HOLE FOR BOTTOM ACCESSORY

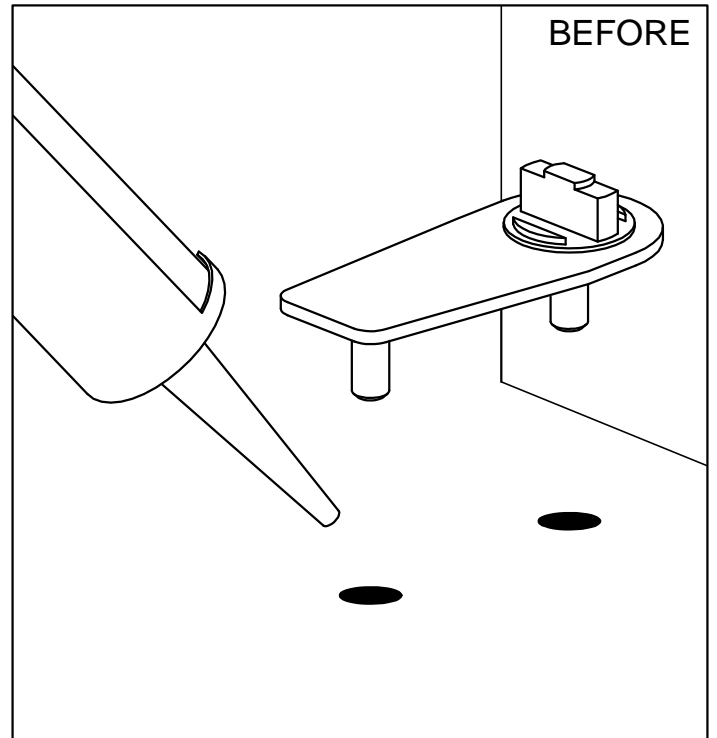
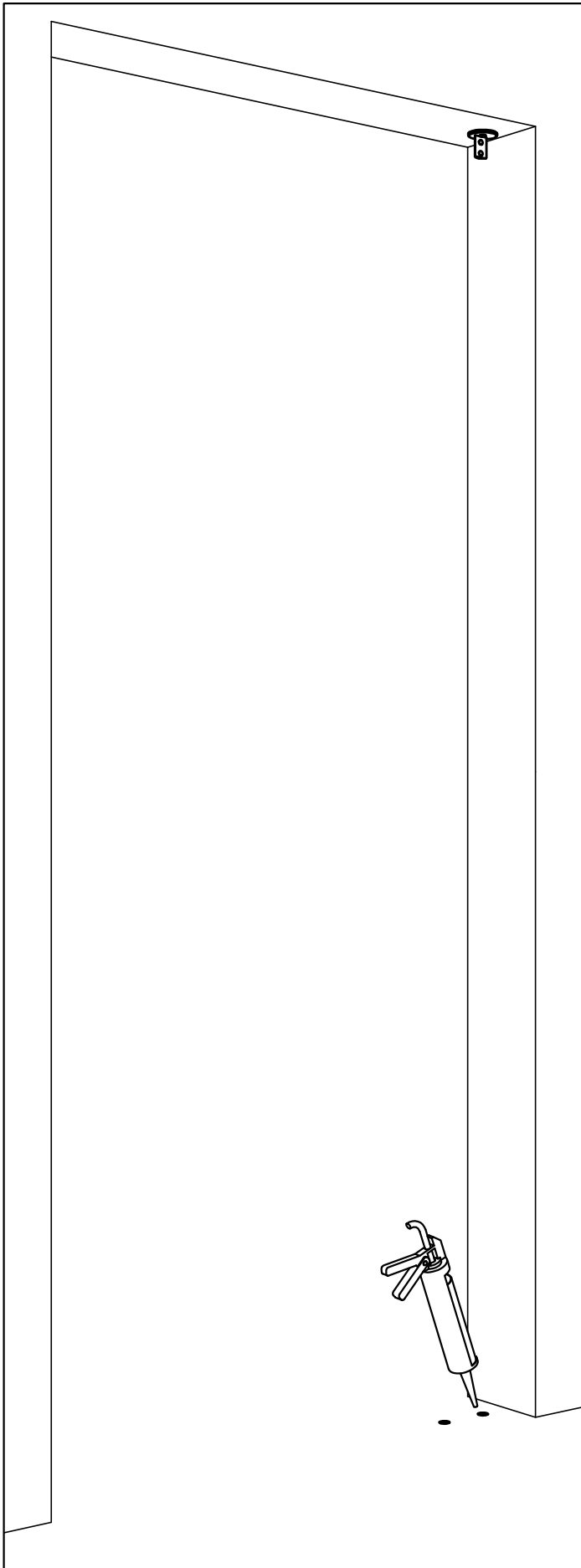


FIX IMMEDIATELY IN POSITION WITH THE STEEL DOWEL



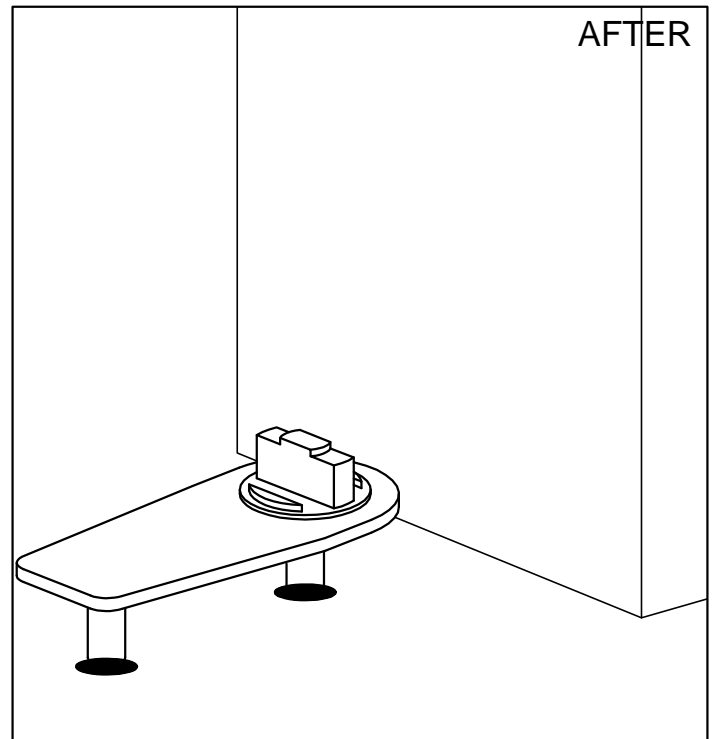
D1.05

ZENITH D1 - MAKE A GOOD CLEANING OF HOLES.
FILLED UP HOLES WITH A CHEMICAL RESIN TO FIX THE TOP ACCESSORIES
(THE CHEMICAL RESIN FISHER FIS B 390 S IS SUGGESTING)



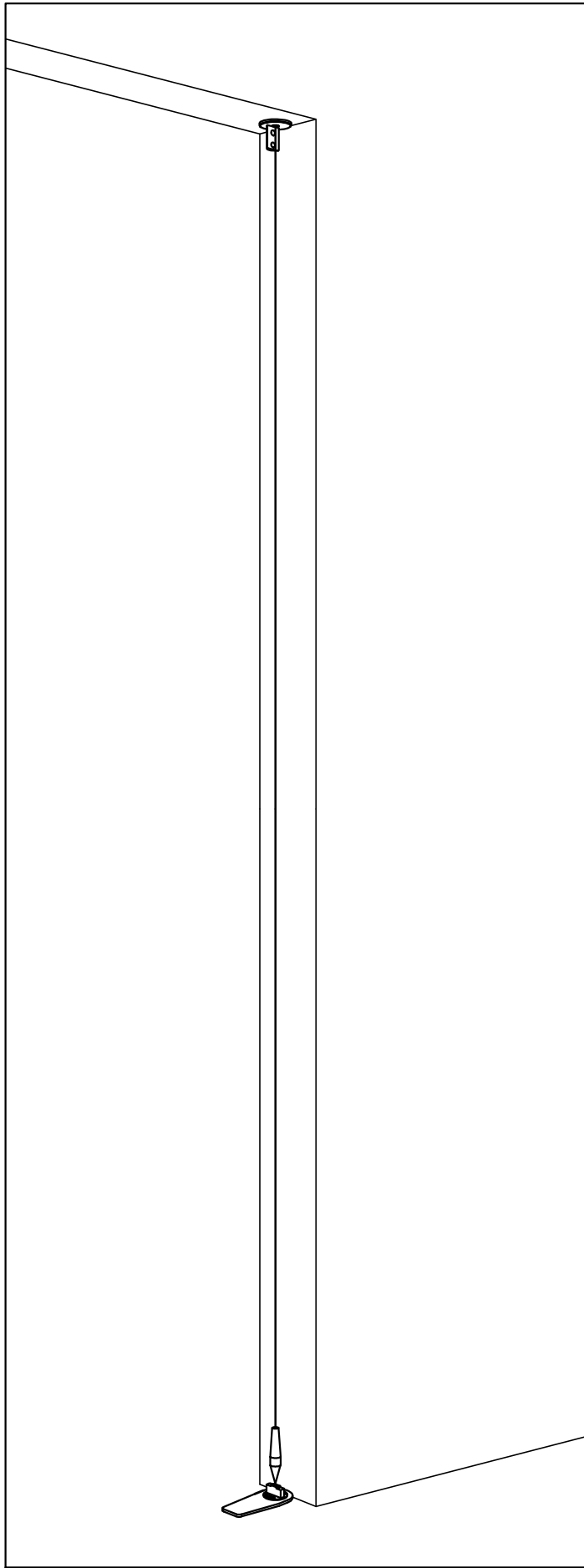
EQUIPPED FOR LEADWORK BEFORE HARDENING OF THE CHEMICAL RESIN

(5 minutes)

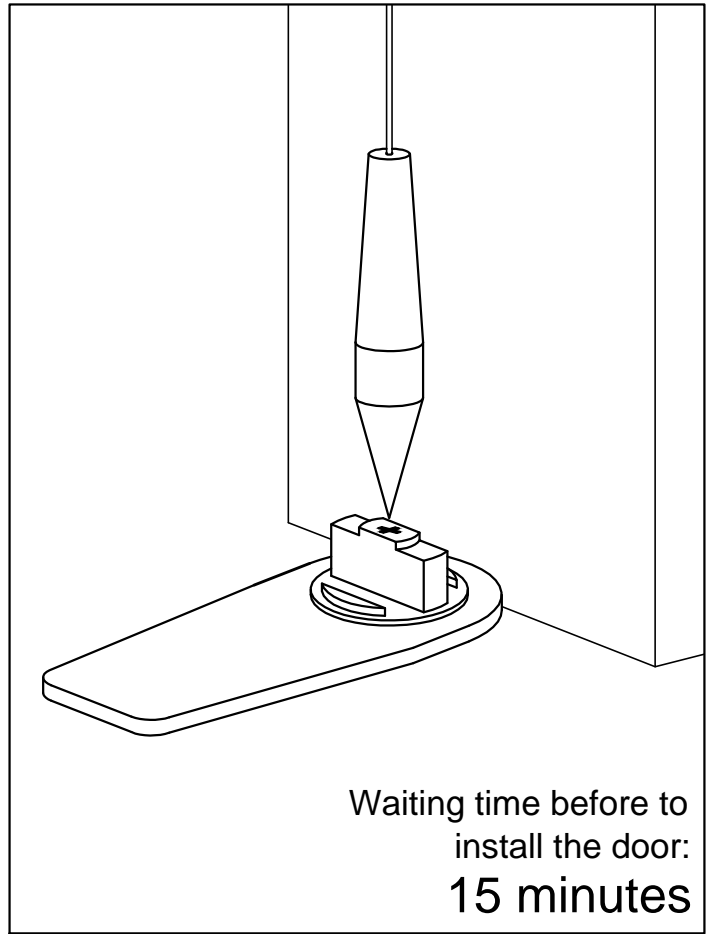
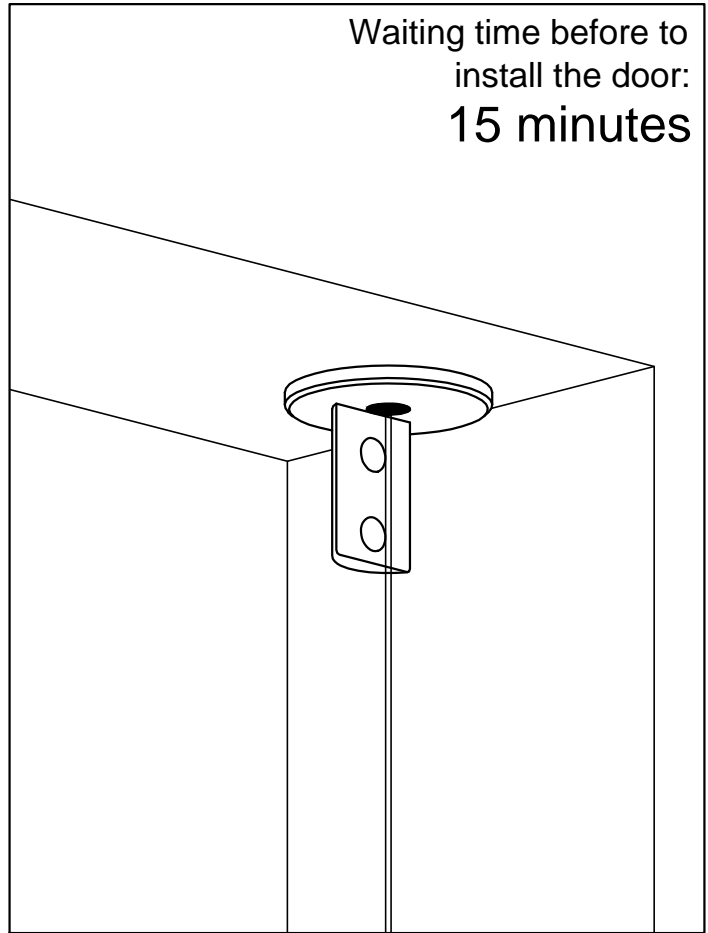


D1.06

ZENITH D1 - FINALLY FILLED UP HOLES WITH A CHEMICAL RESIN TO FIX THE BOTTOM ACCESSORIES



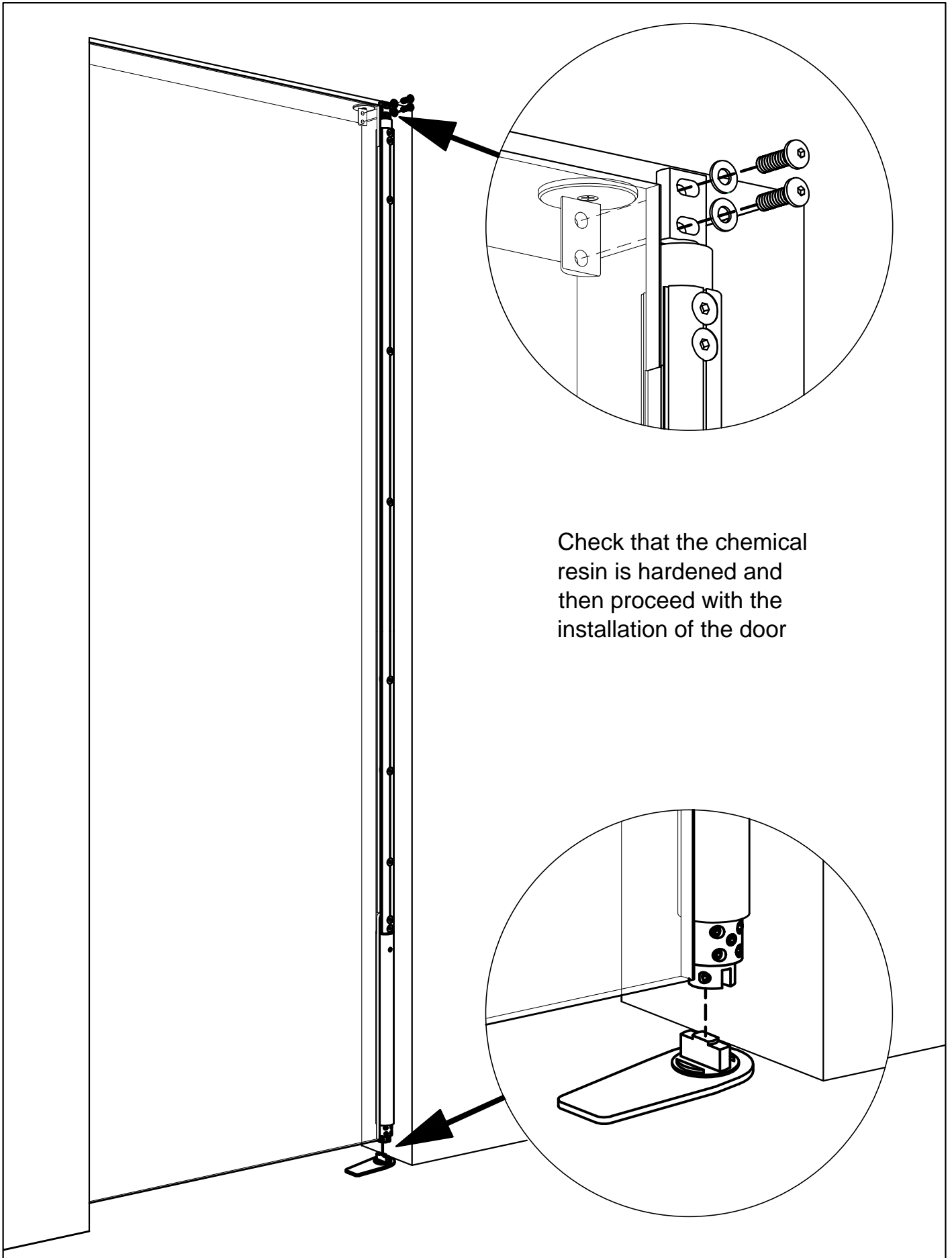
Waiting time before to
install the door:
15 minutes



Waiting time before to
install the door:
15 minutes

D1.07

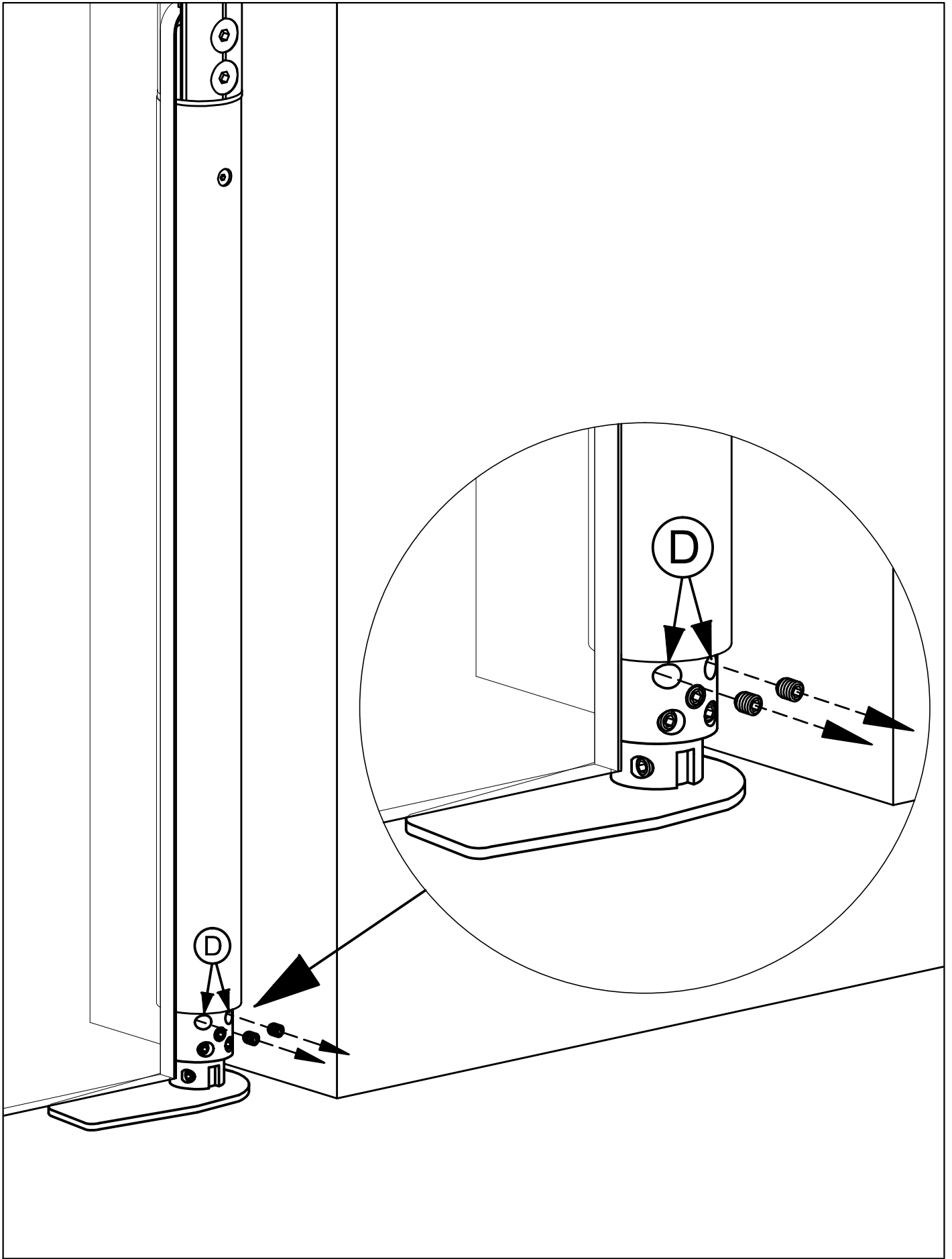
ZENITH D1 - TOP AND BOTTOM ACCESSORIES MUST BE
PERPENDICULAR TO EACH OTHER.



Check that the chemical resin is hardened and then proceed with the installation of the door

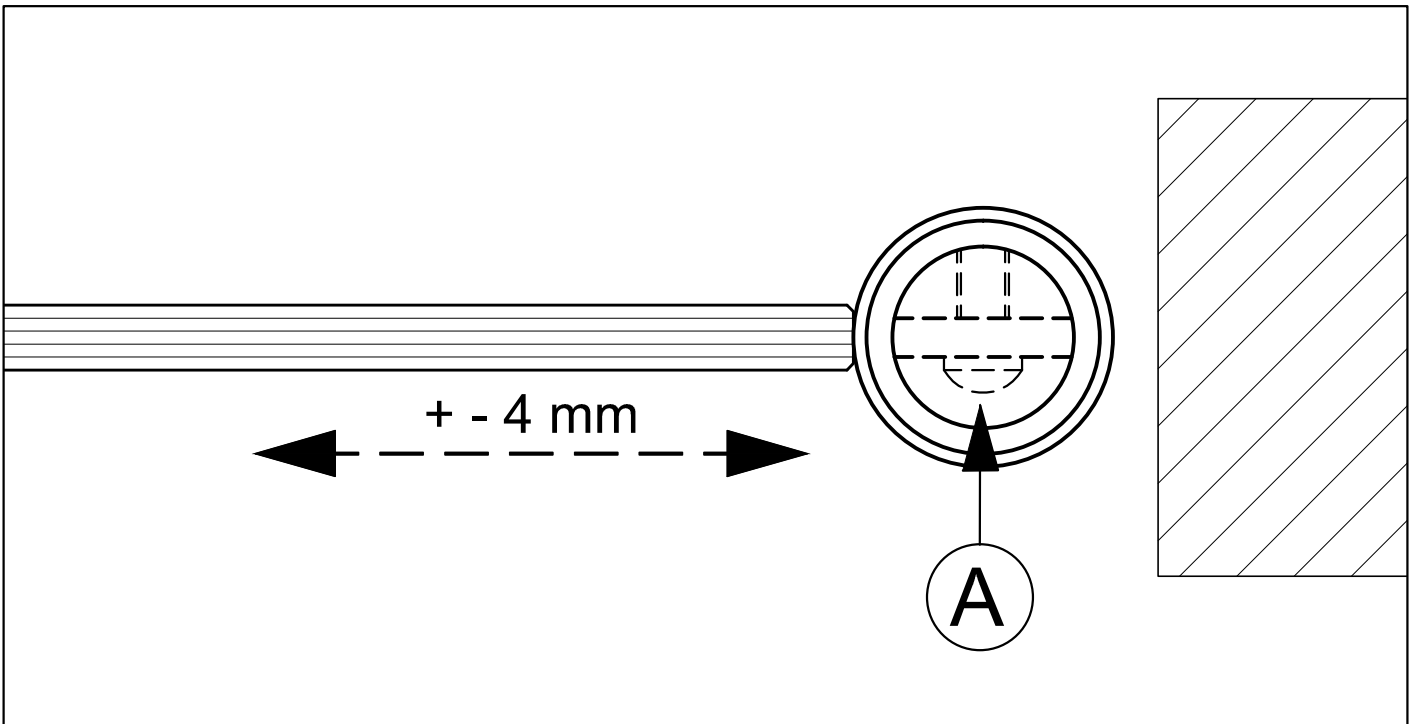
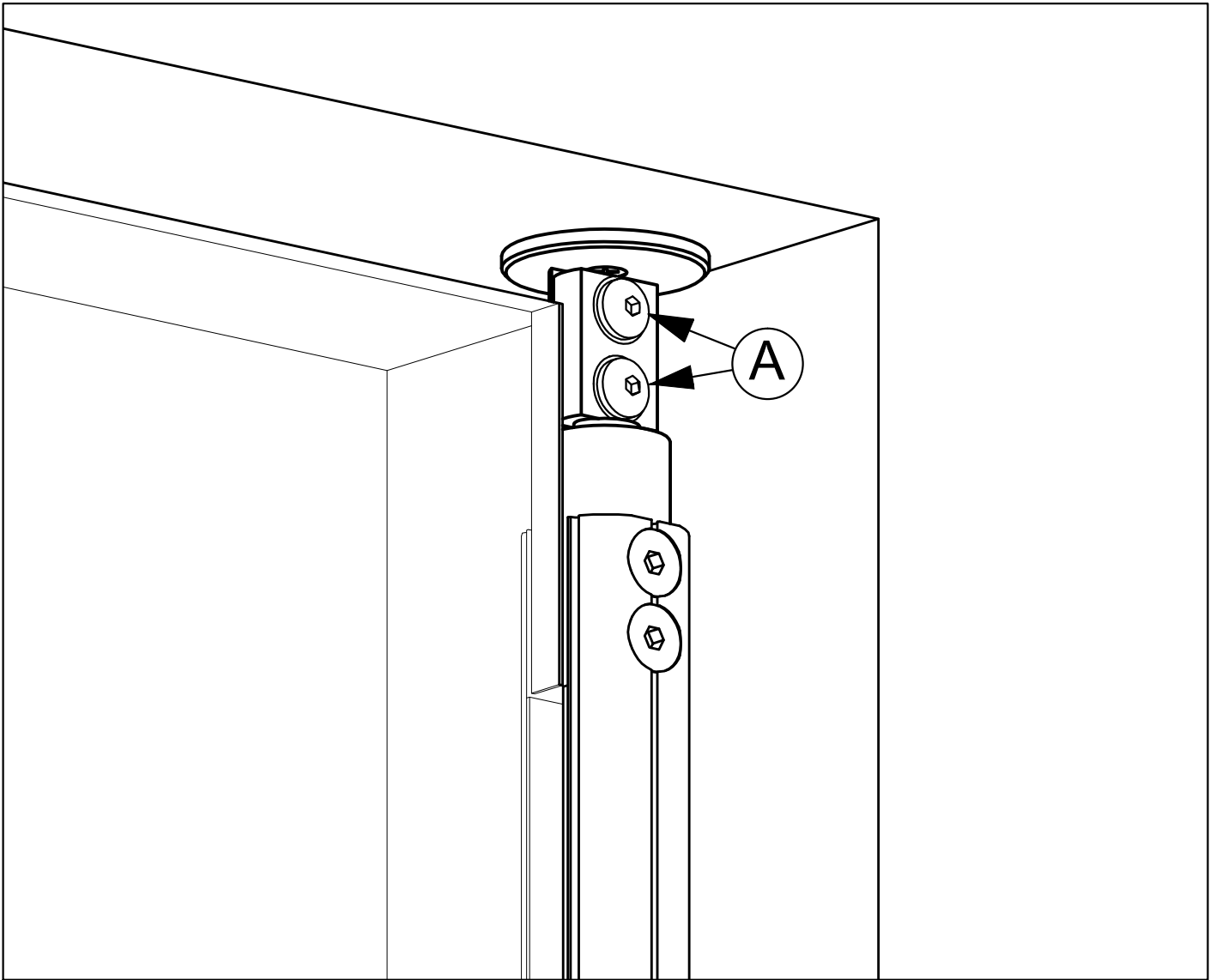
D1.08

ZENITH D1 - INSERT THE GLASS DOOR AS INDICATED.



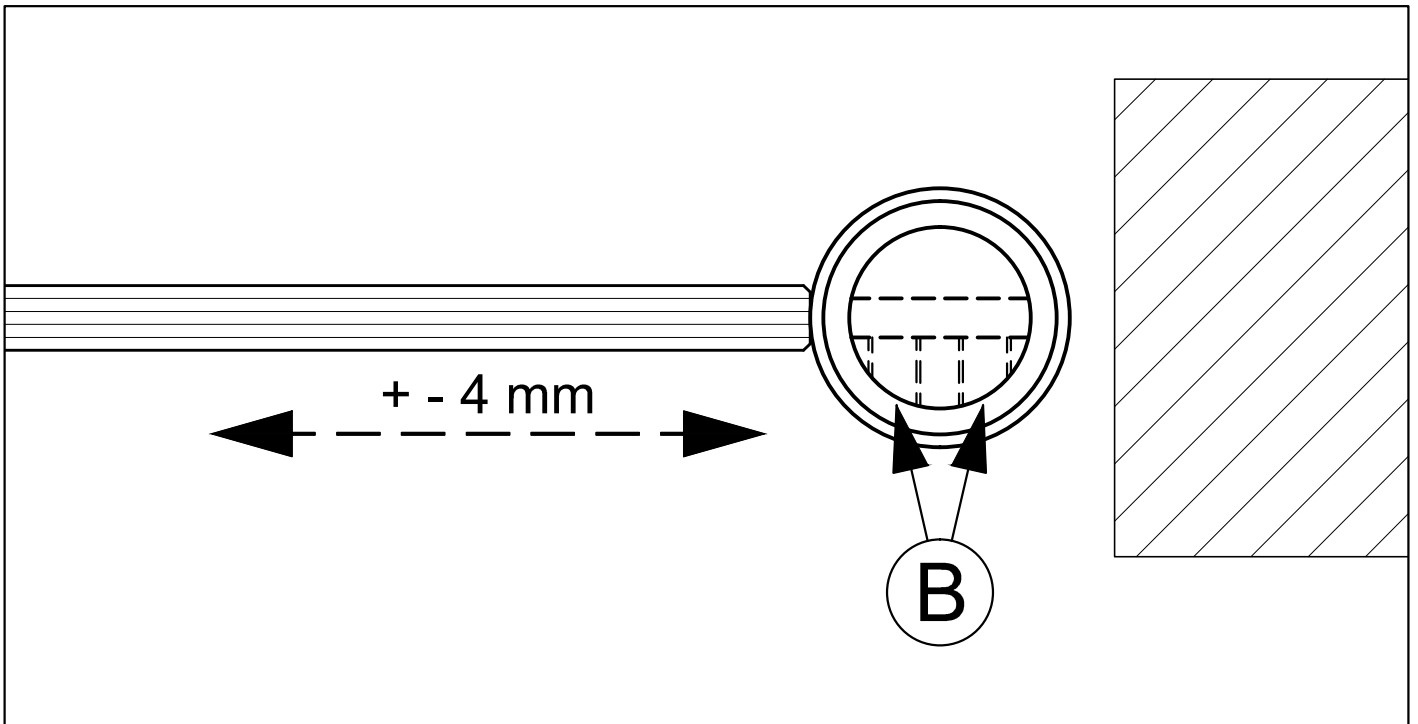
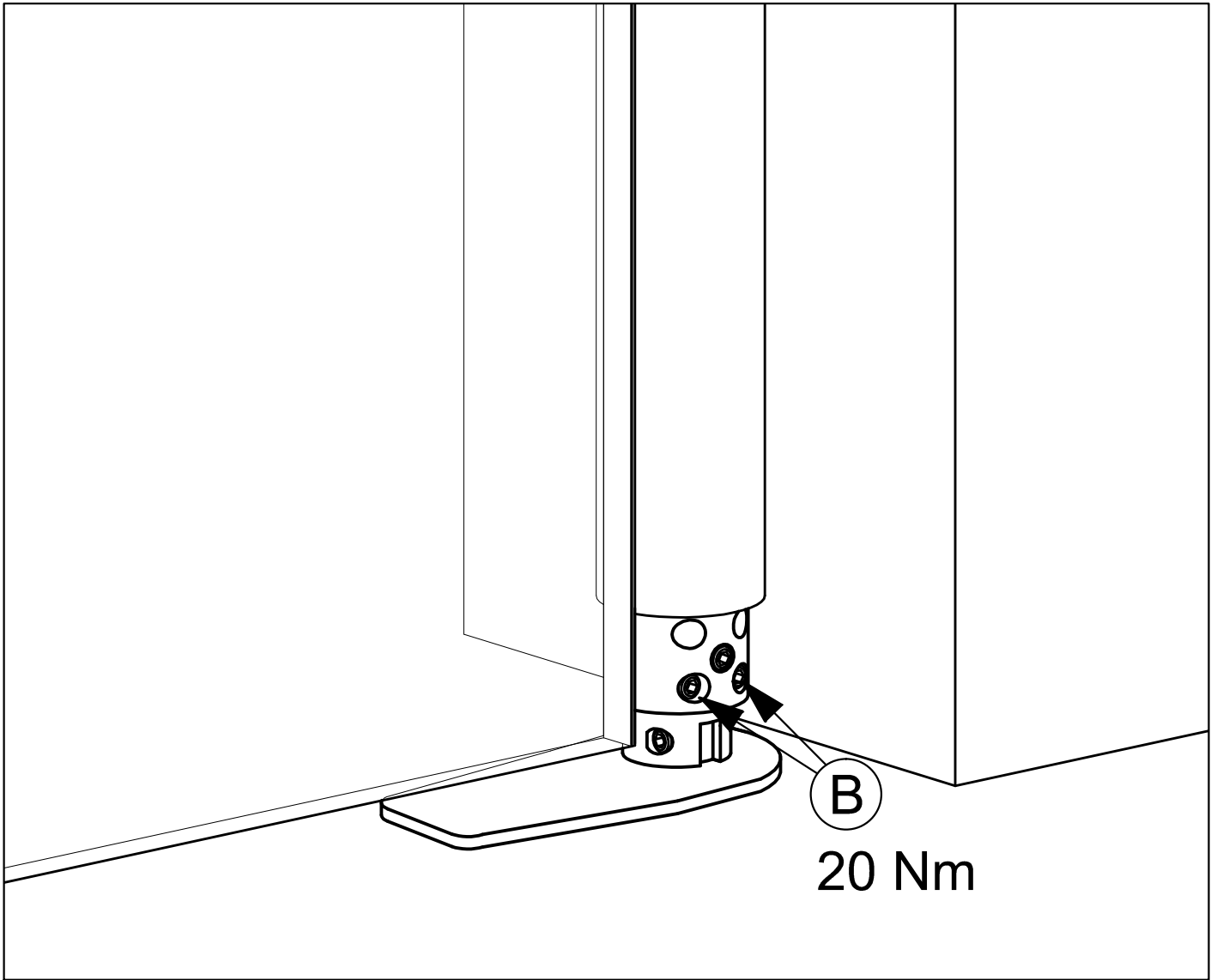
D1.09

ZENITH D1 - TAKE OUT THE SCREWS "D" BEFORE TO MAKE THE ADJUSTMENT OF THE DOOR.



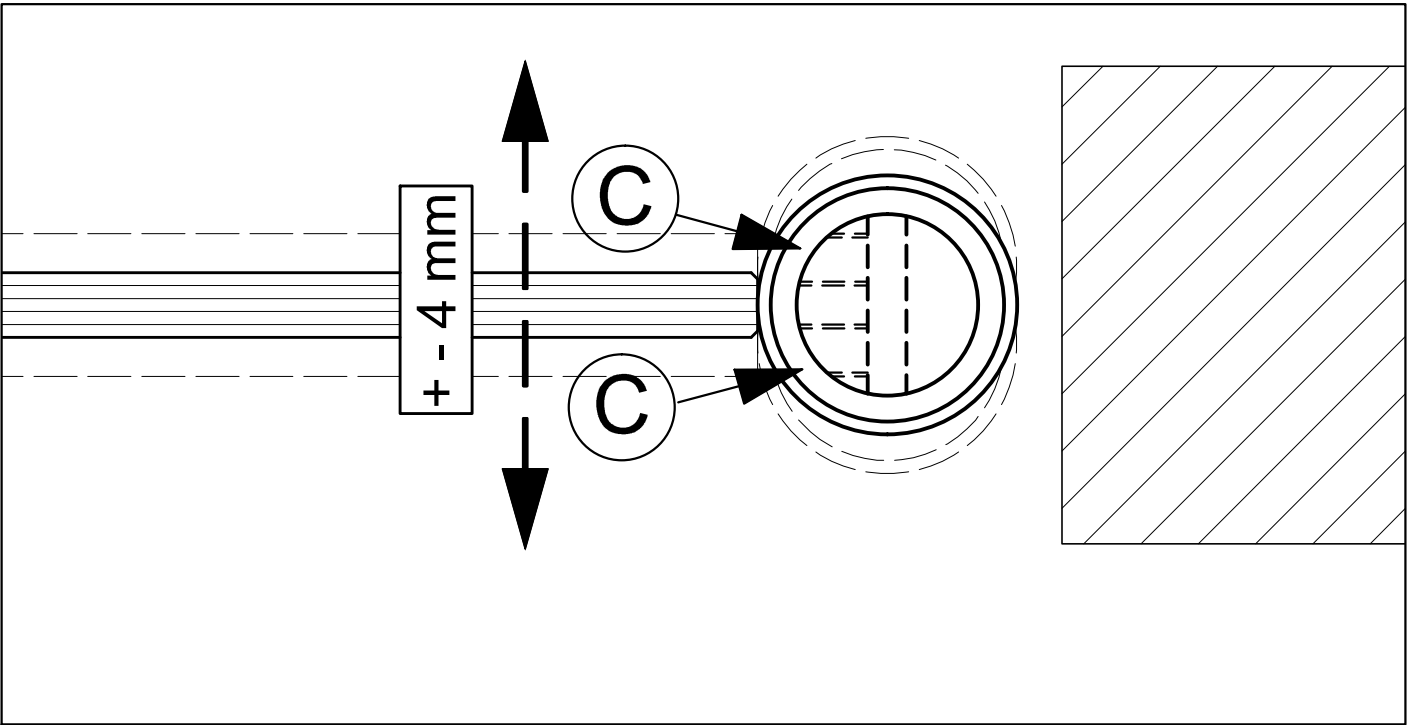
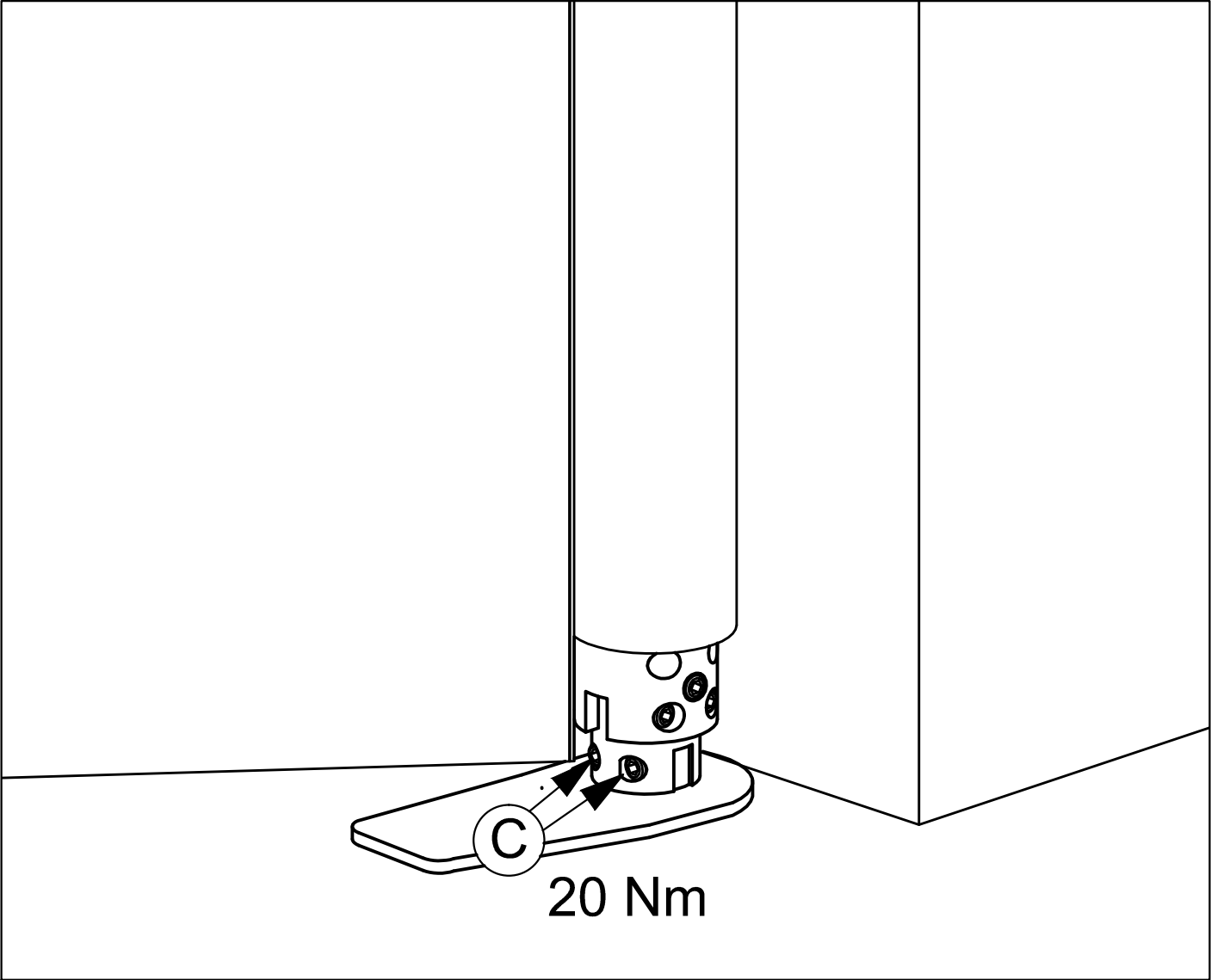
D1.10

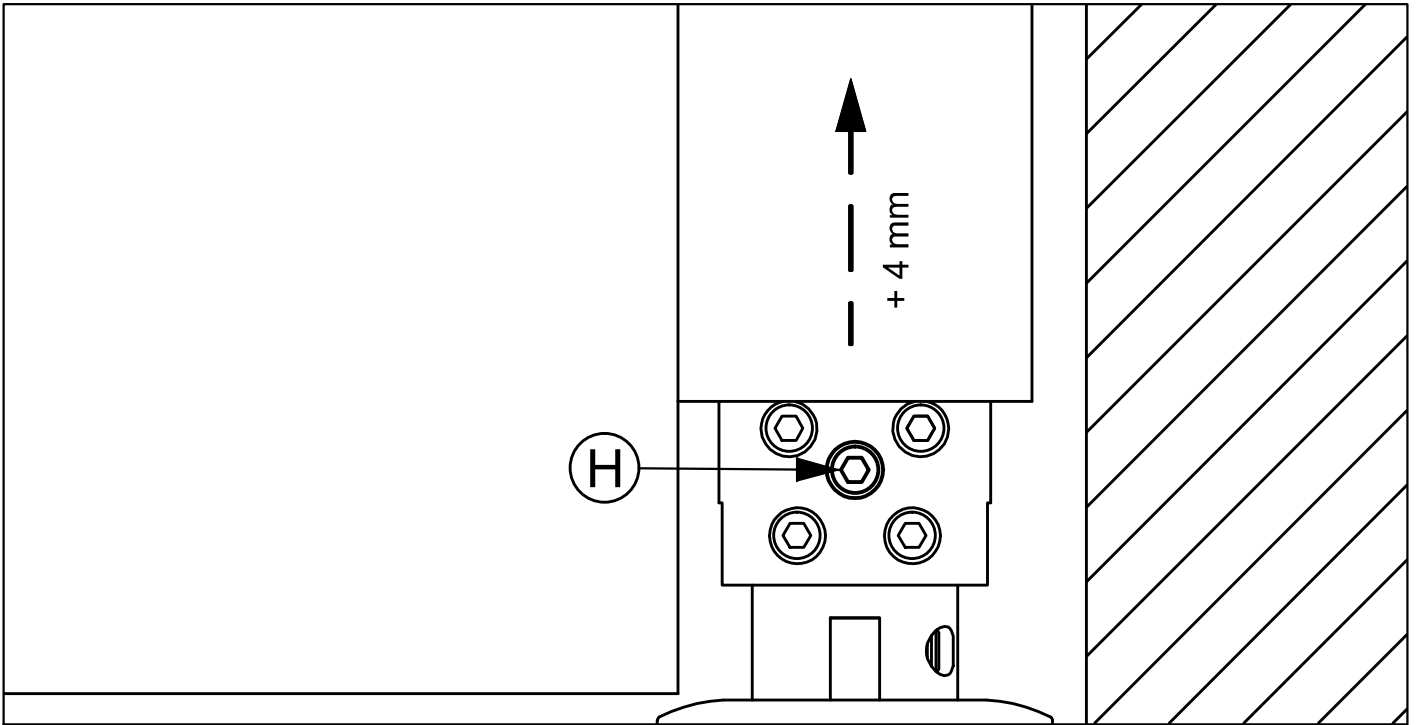
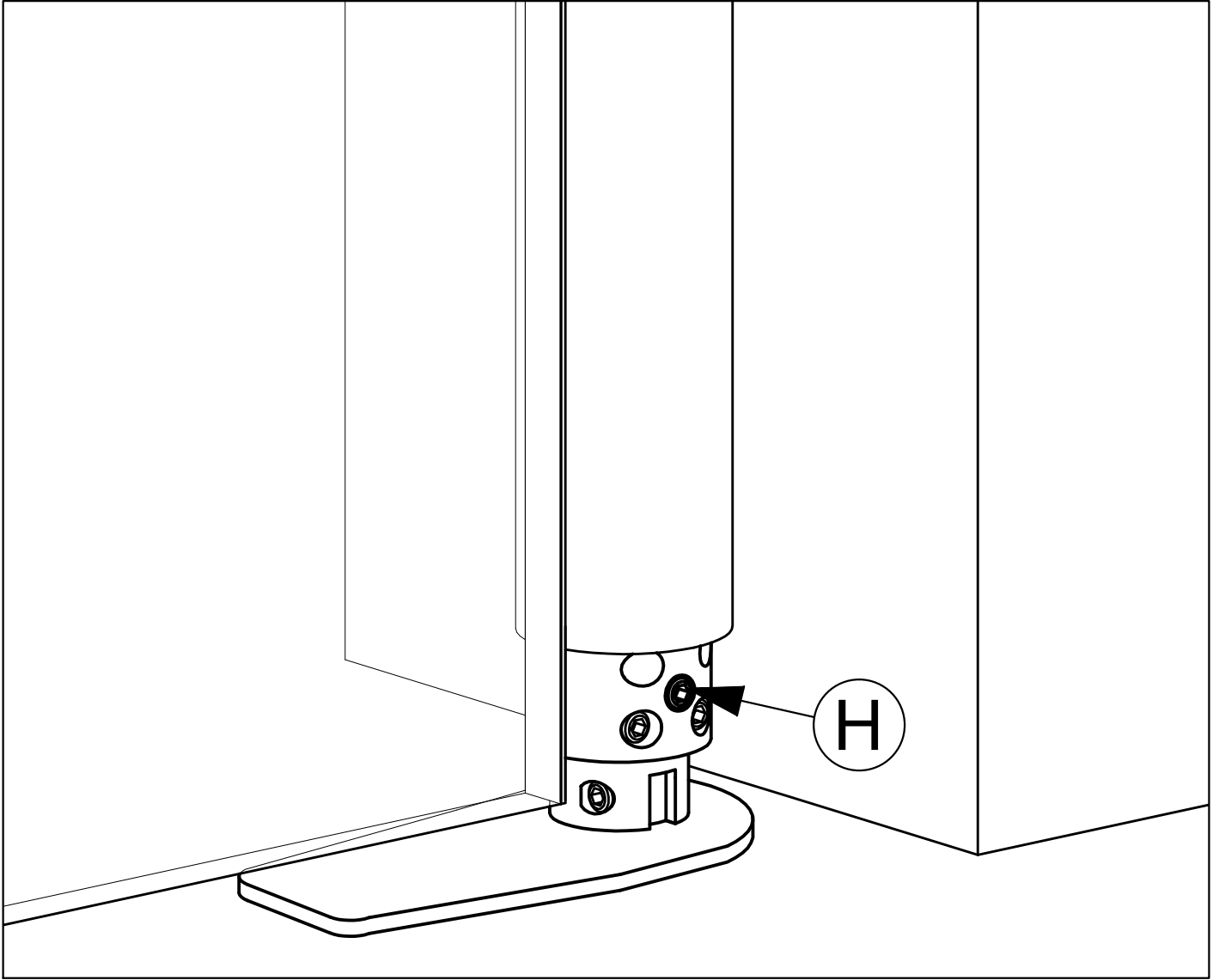
ZENITH D1 - ADJUSTMENT "A" TOP HINGE



D1.11

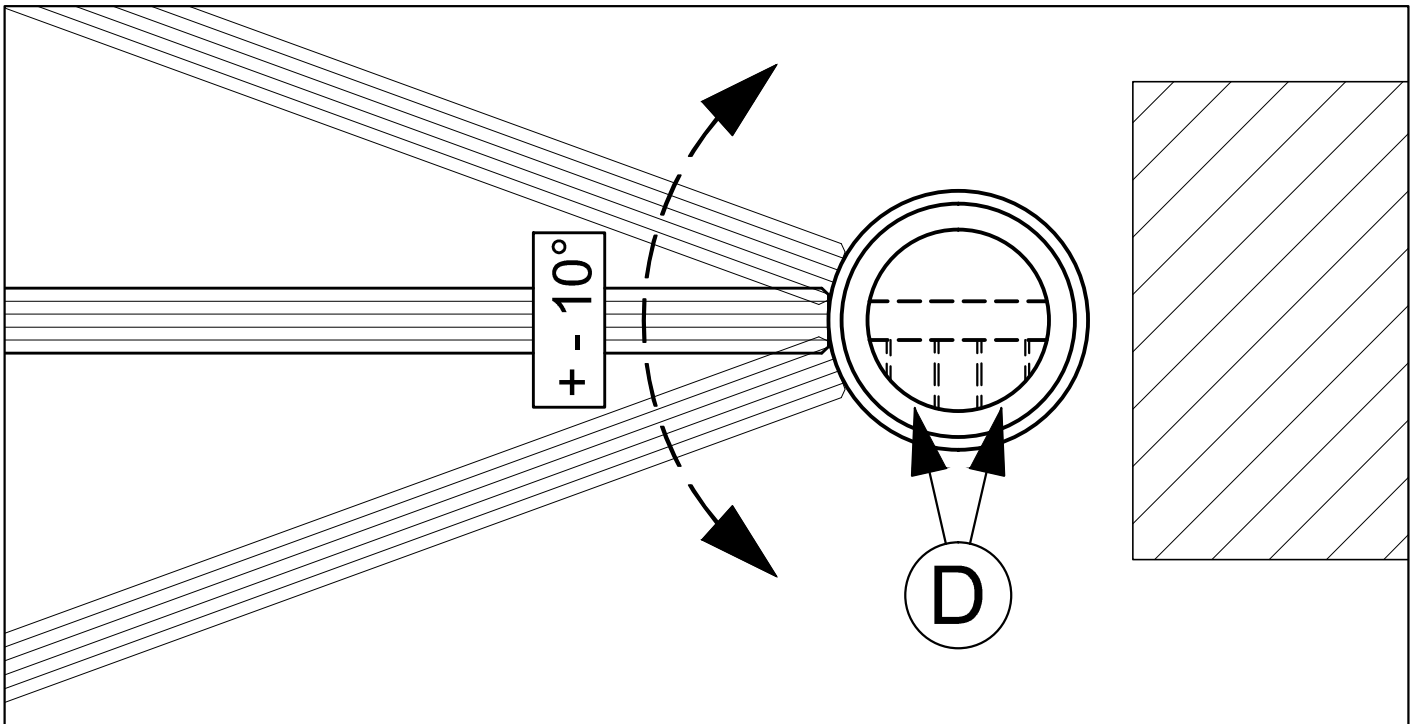
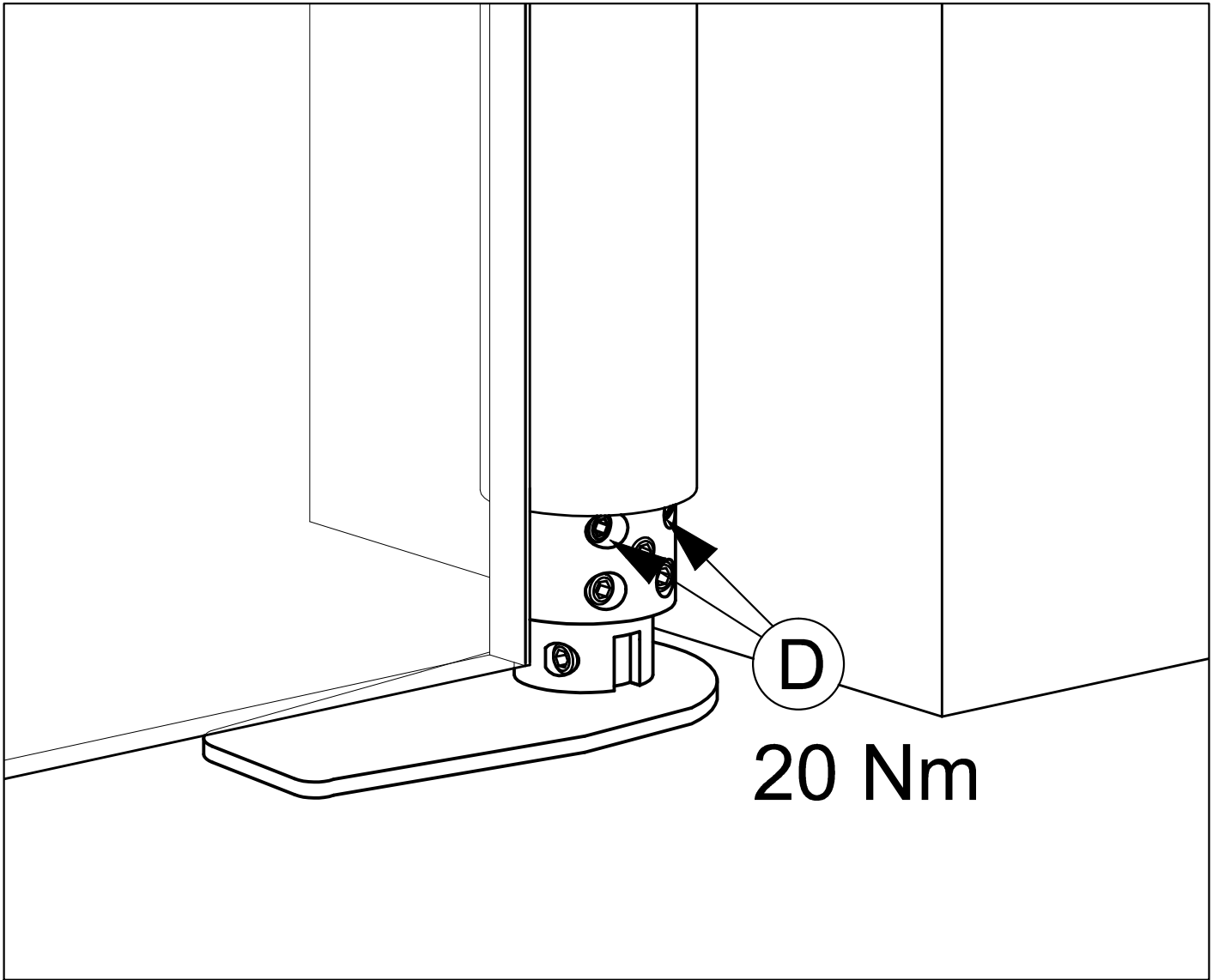
ZENITH D1 - ADJUSTMENT "B" BOTTOM HINGE AND SCREW TIGHT
NOT LESS THEN 20 Nm





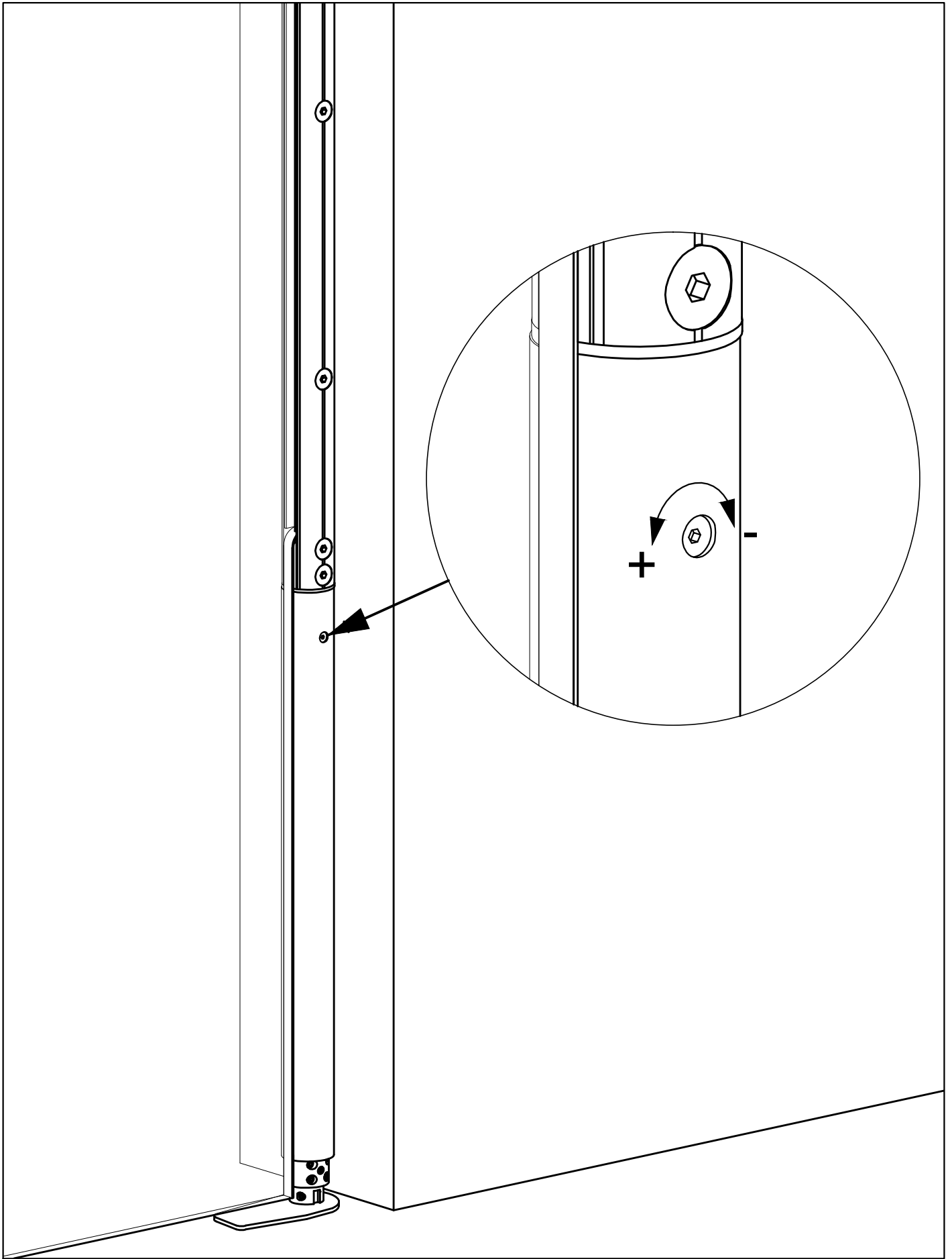
D1.13

ZENITH D1 - ADJUSTMENT "H" BOTTOM HINGE



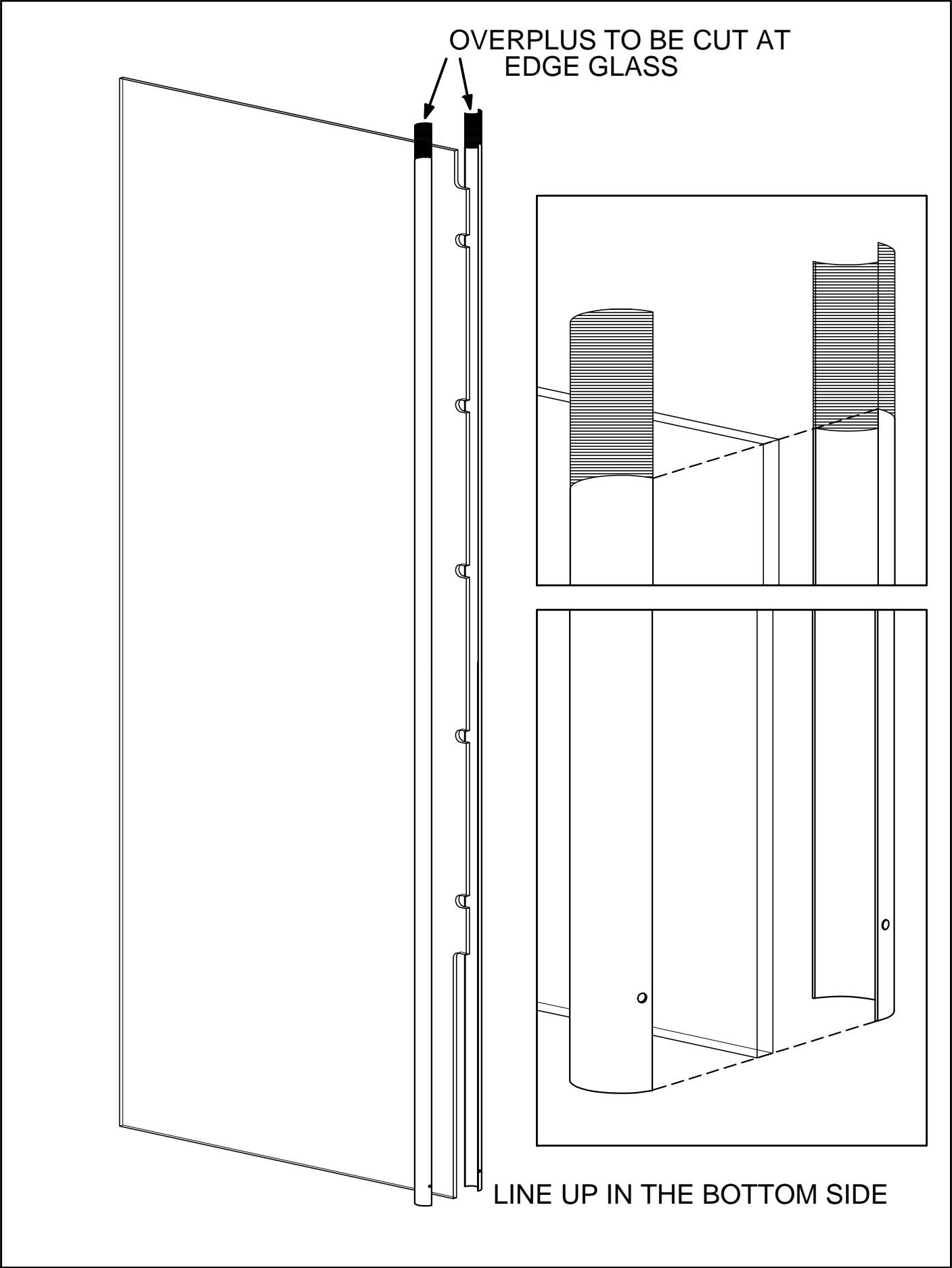
D1.14

ZENITH D1 - ADJUSTMENT "D" BOTTOM HINGE



D1.15

ZENITH D1 - ADJUSTMENT CLOSING SPEED



D1.16	<p>ZENITH D1 - CUTTING OF COVER PLATES LINE UP COVERPLATES AT THE BOTTOM SIDE OF THE GLASS DOOR AND CUT THE OVERPLUS IN THE TOP SIDE.</p>
-------	---

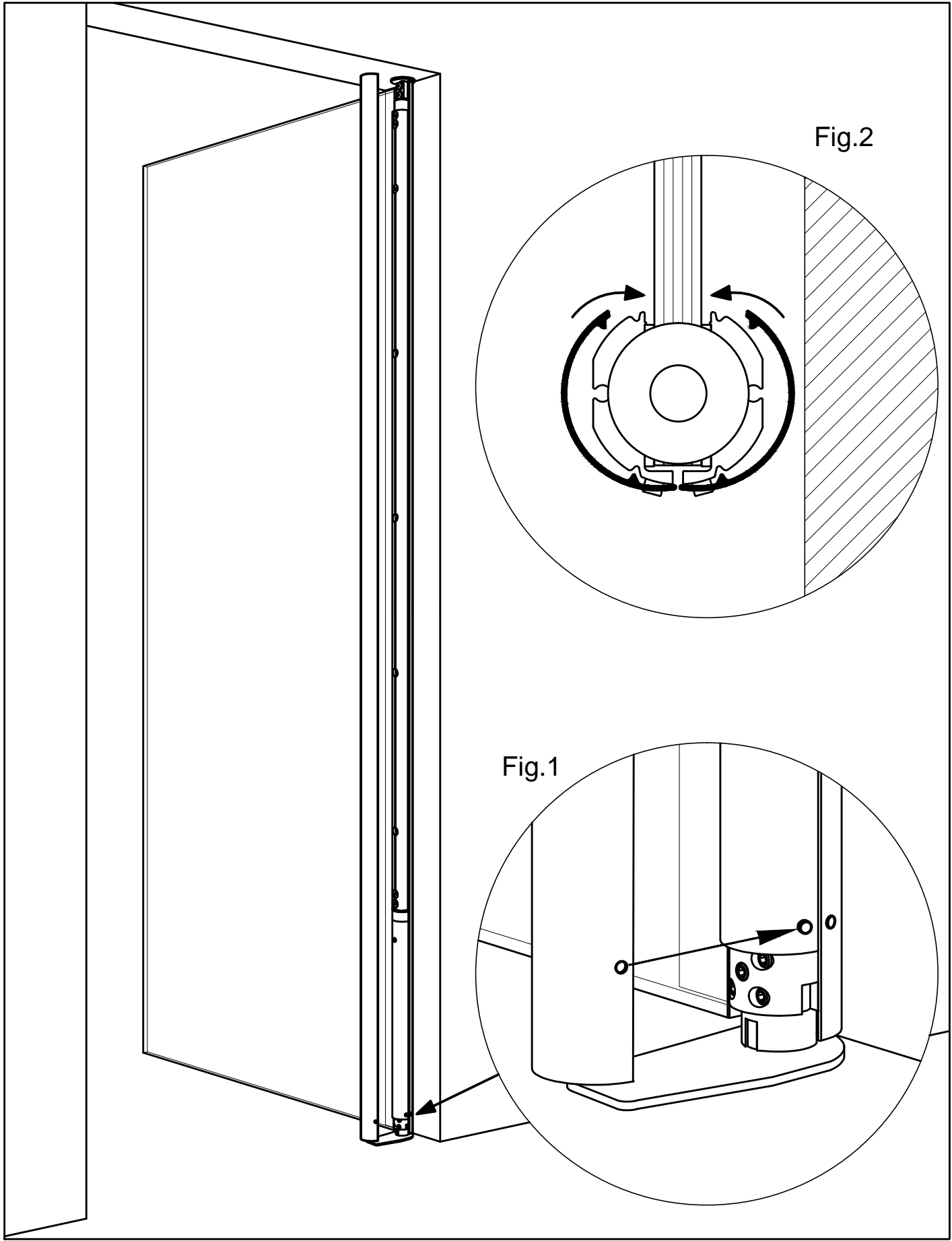


Fig.2

Fig.1

<p>D1.17</p>	<p>ZENITH D1 - COVER PLATES BEFORE FASTENING COVER PLATES, FIX THEM USING THE SUITABLE SCREWS (Fig.1) AND THEN ROTATE THEM UP TO THE HOOKING (Fig.2)</p>
--------------	--