



ALFA SRL

ZENITH D - INSTALLATION INSTRUCTIONS

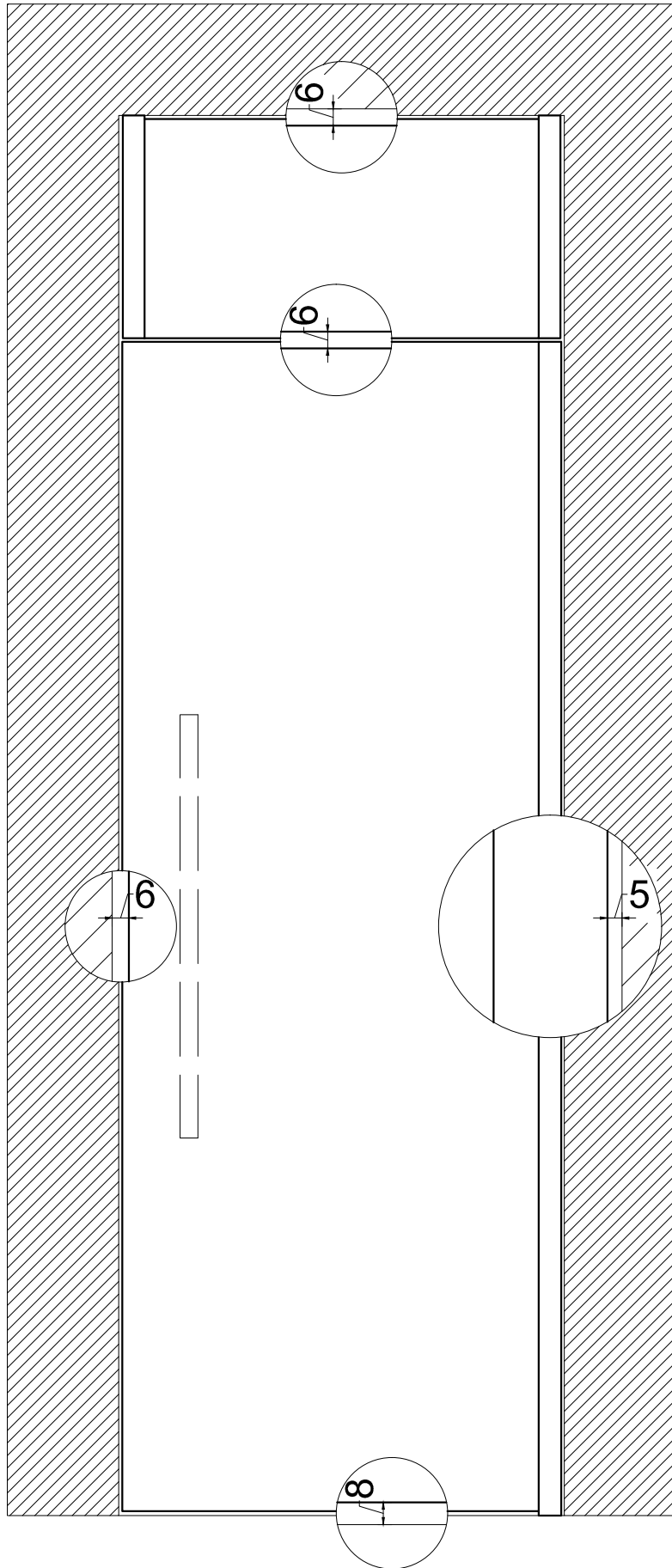
update 1.1
03/2018

GLASS DOOR WITH OVERPANEL
solutions D2 and DD2

Note: for installation of the glass door see instructions D1 and DD1

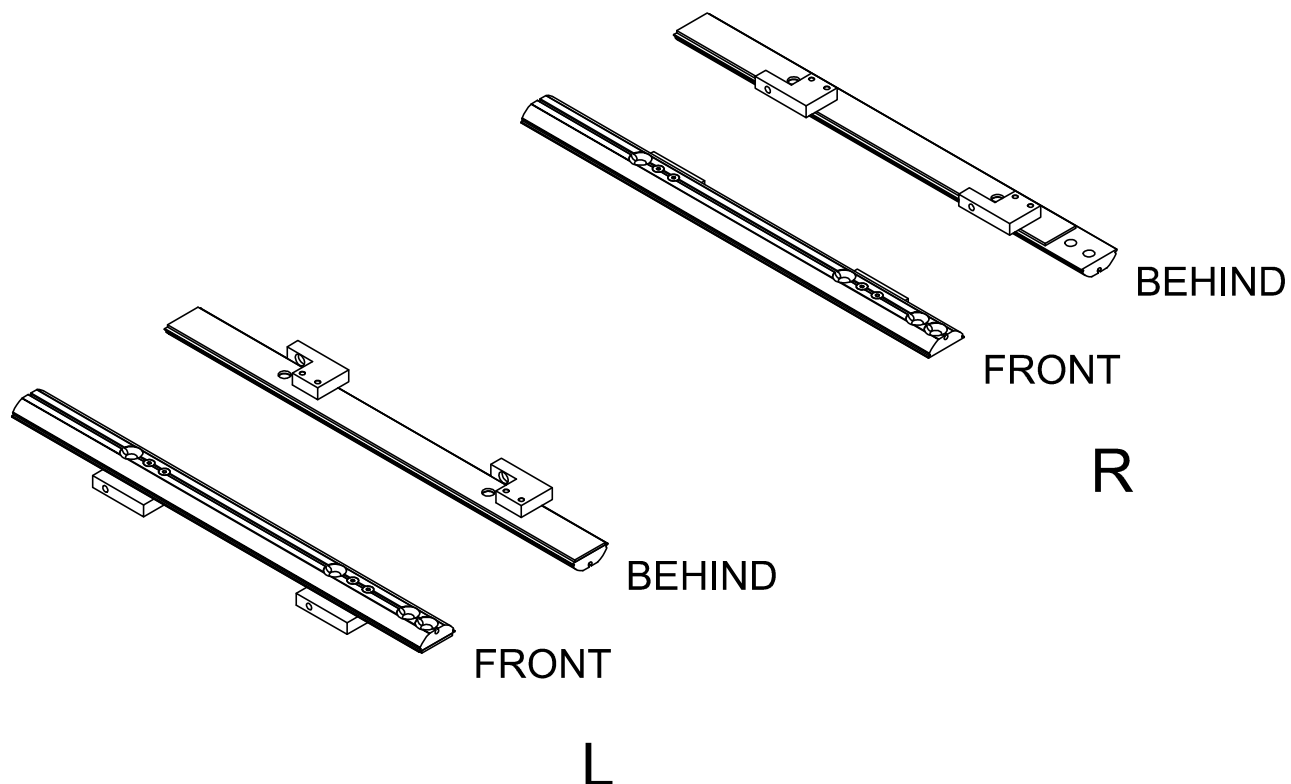
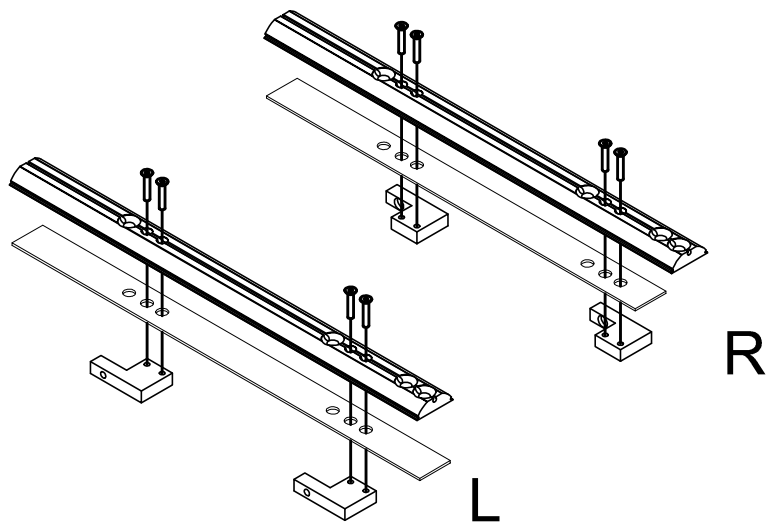
D2.00

- ZENITH D2 - DD2
INSTALLATION INSTRUCTIONS
GLASS DOOR WITH OVERPANEL



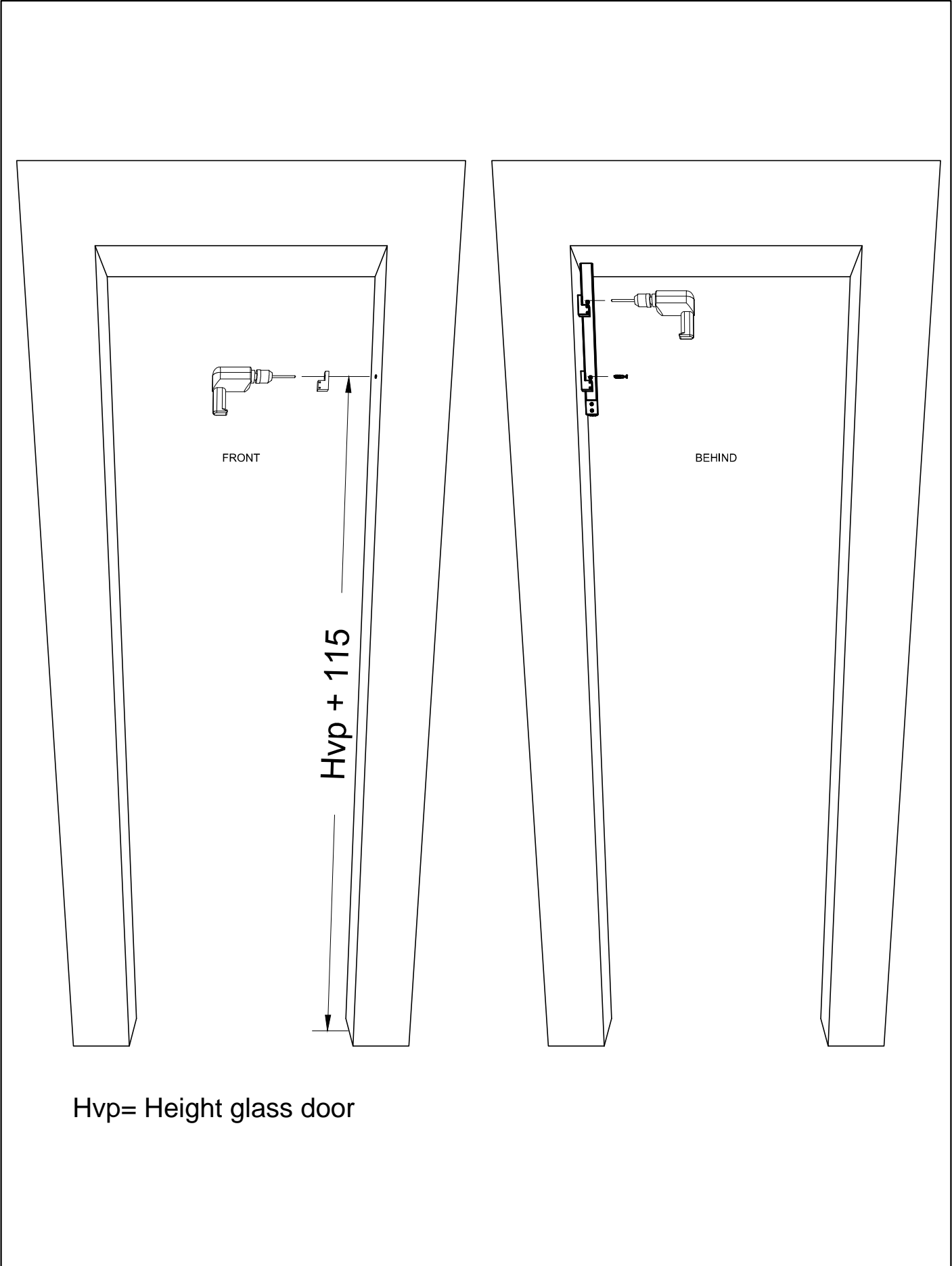
D2.01

ZENITH D2 - GLASS DOOR WITH OVERPANEL



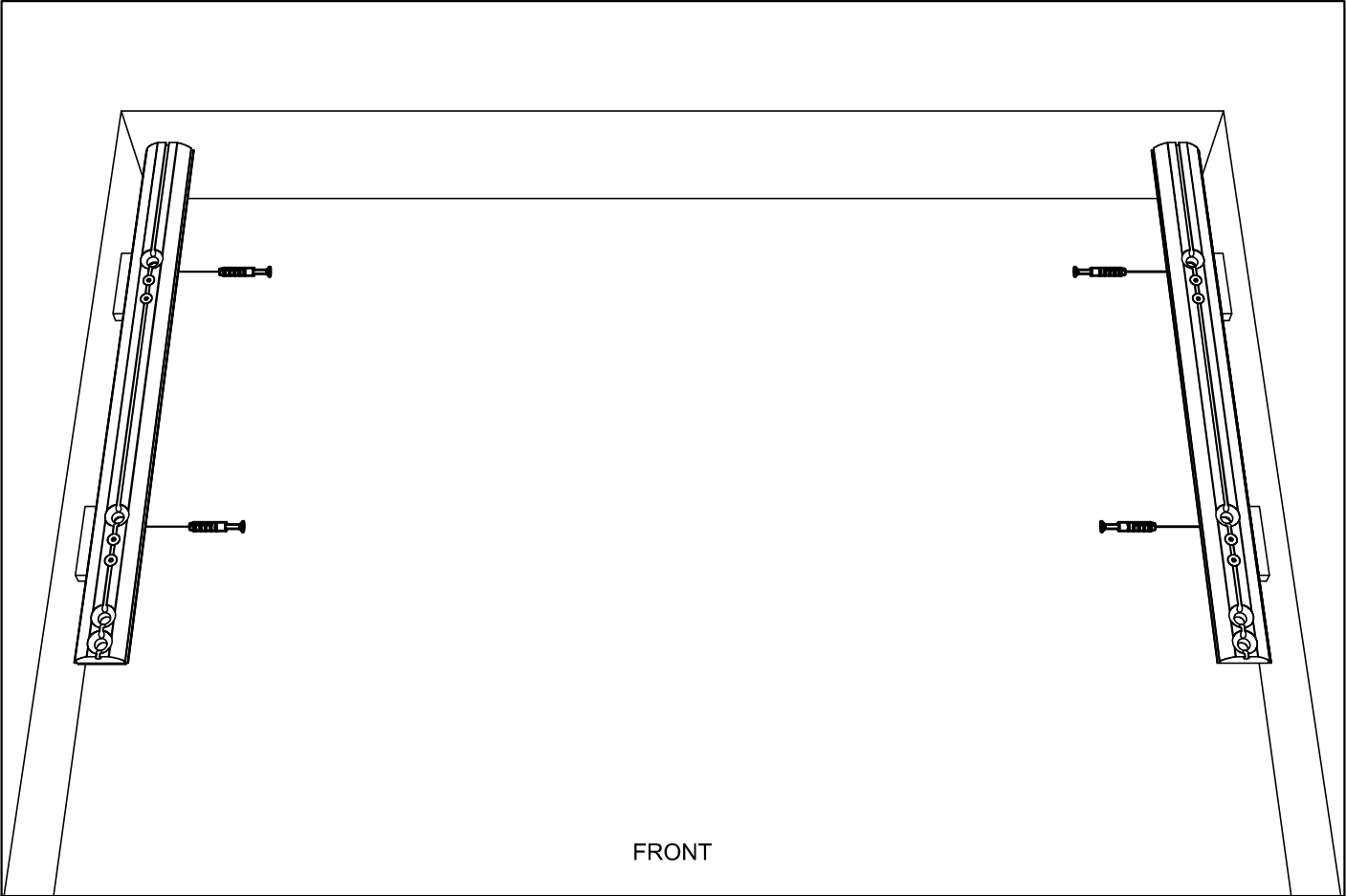
D2.02

ZENITH D2 - PREPARING FOR THE BRACKETS ("L" SHAPED)
TO THE WALL



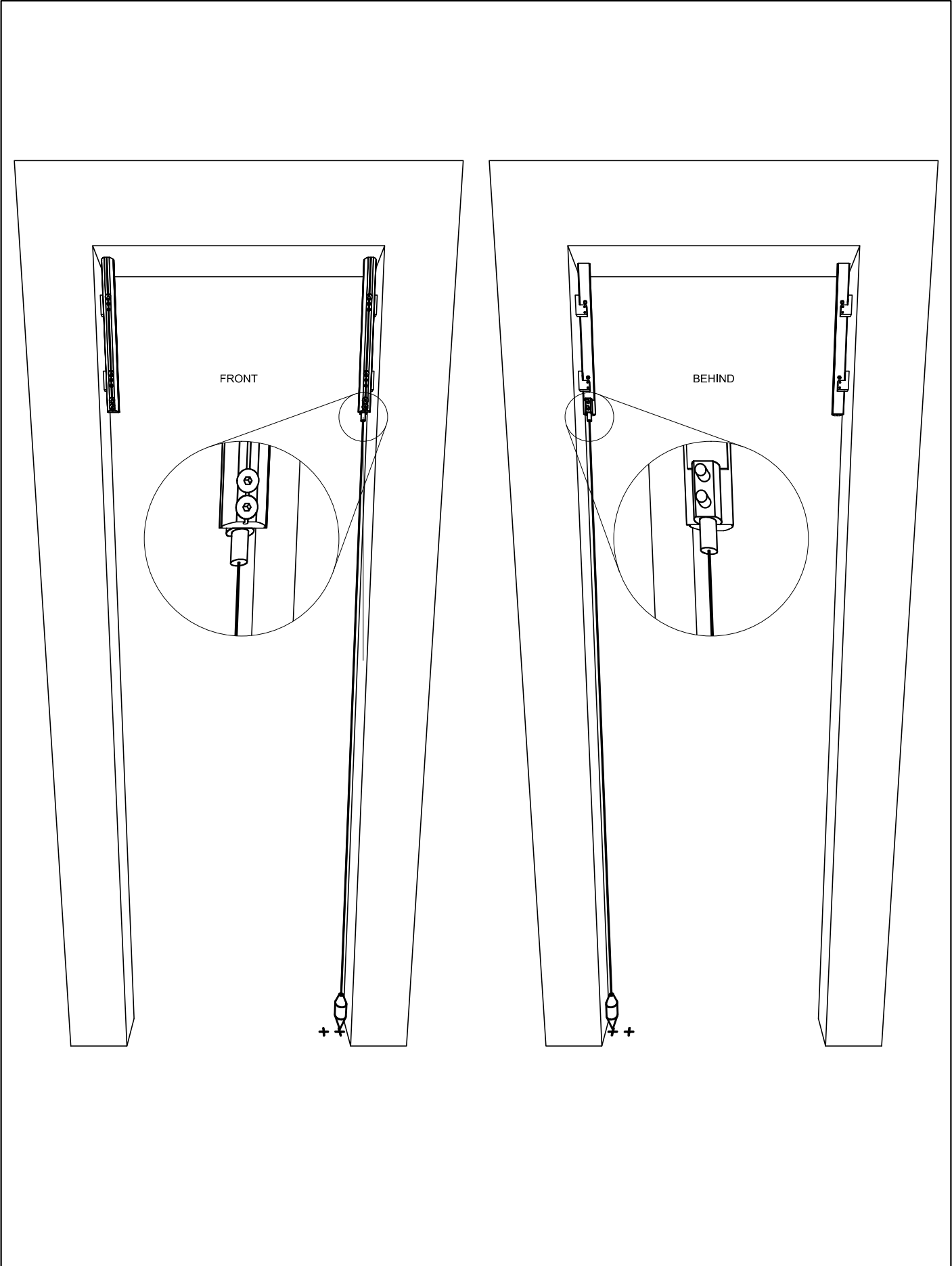
Hvp= Height glass door

D2.03	ZENITH D2 - POSITION FIRST HOLE OF ARTICLE SF KIT ZD 00
-------	---



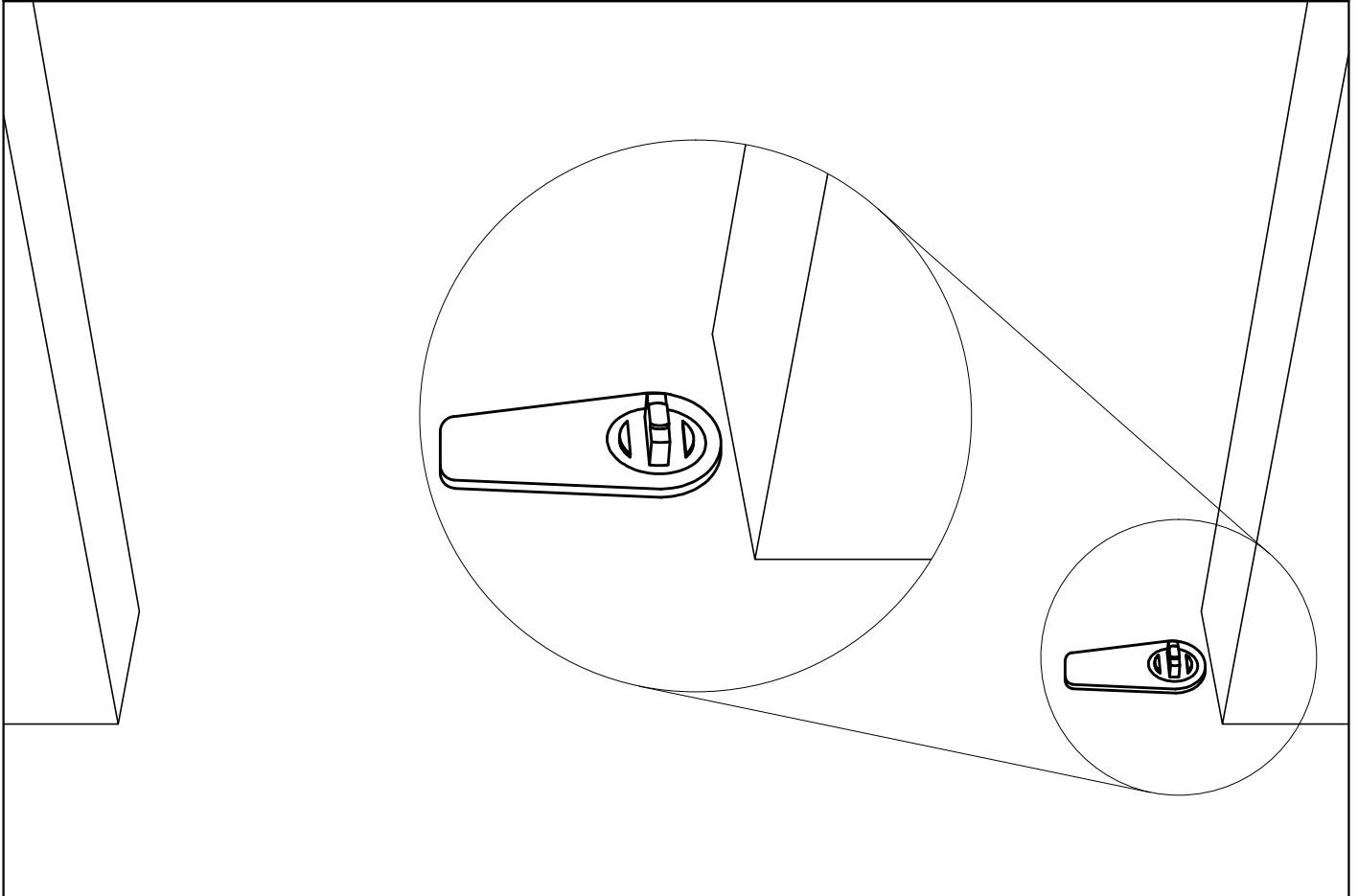
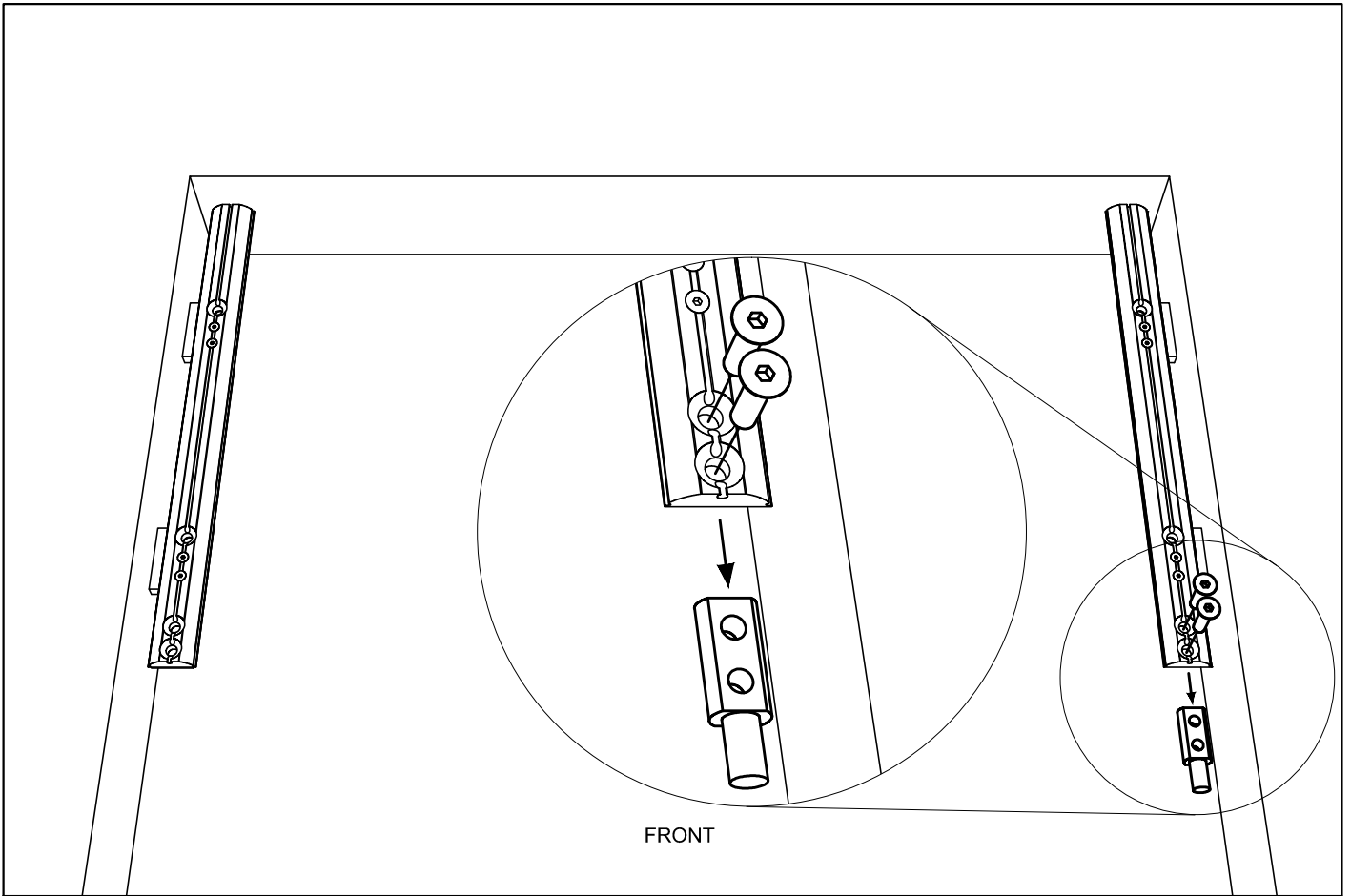
D2.04

ZENITH D2 - FIXING BRACKETS



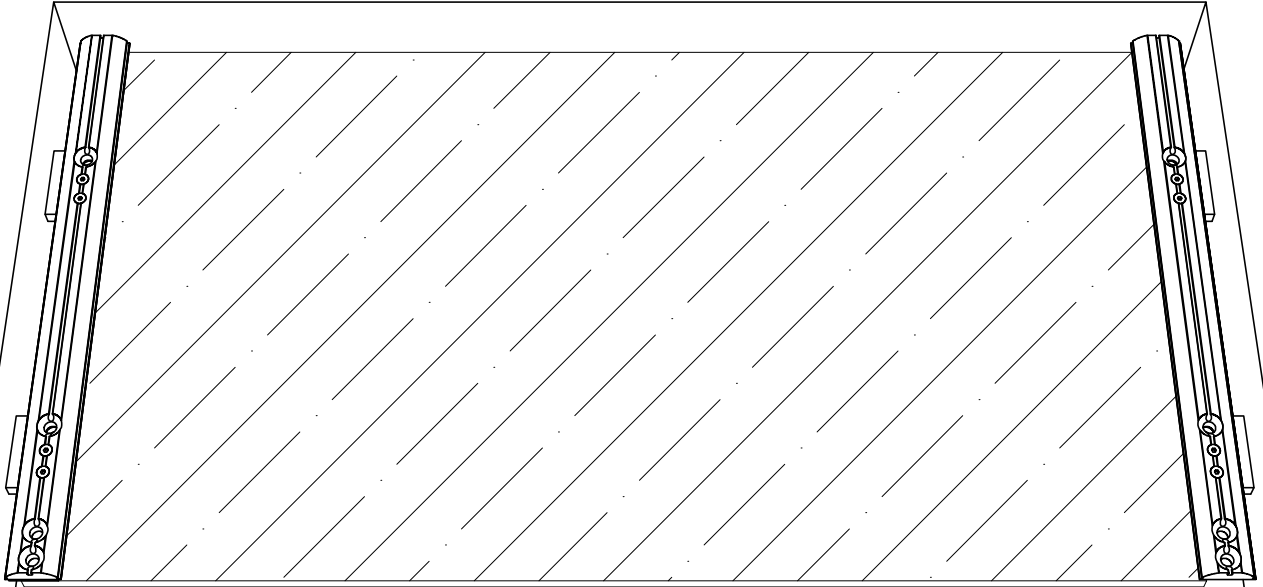
D2.05

ZENITH D2 - MOUNTING THE INDICATED PIVOT AND FINDING
THE DOOR CLOSER CENTRE ON THE GROUND

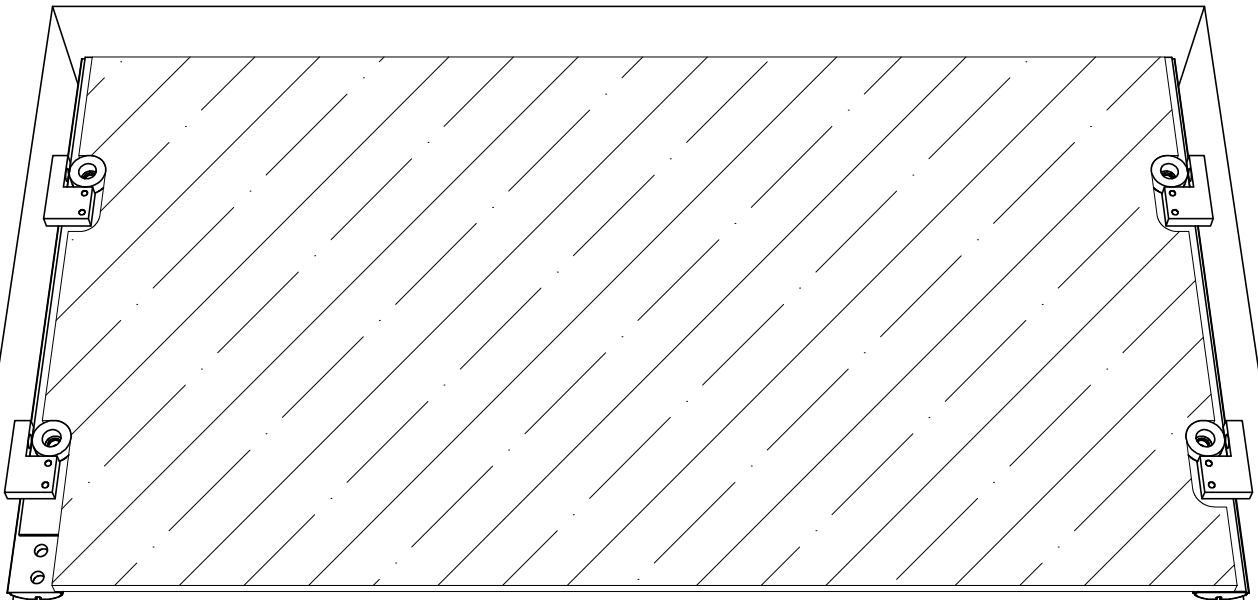


D2.06

ZENITH D2 - REMOVE THE TOP PIVOT AND SETTING THE BOTTOM
ACCESSORY ON THE GROUND
(see installation instruction of the door)



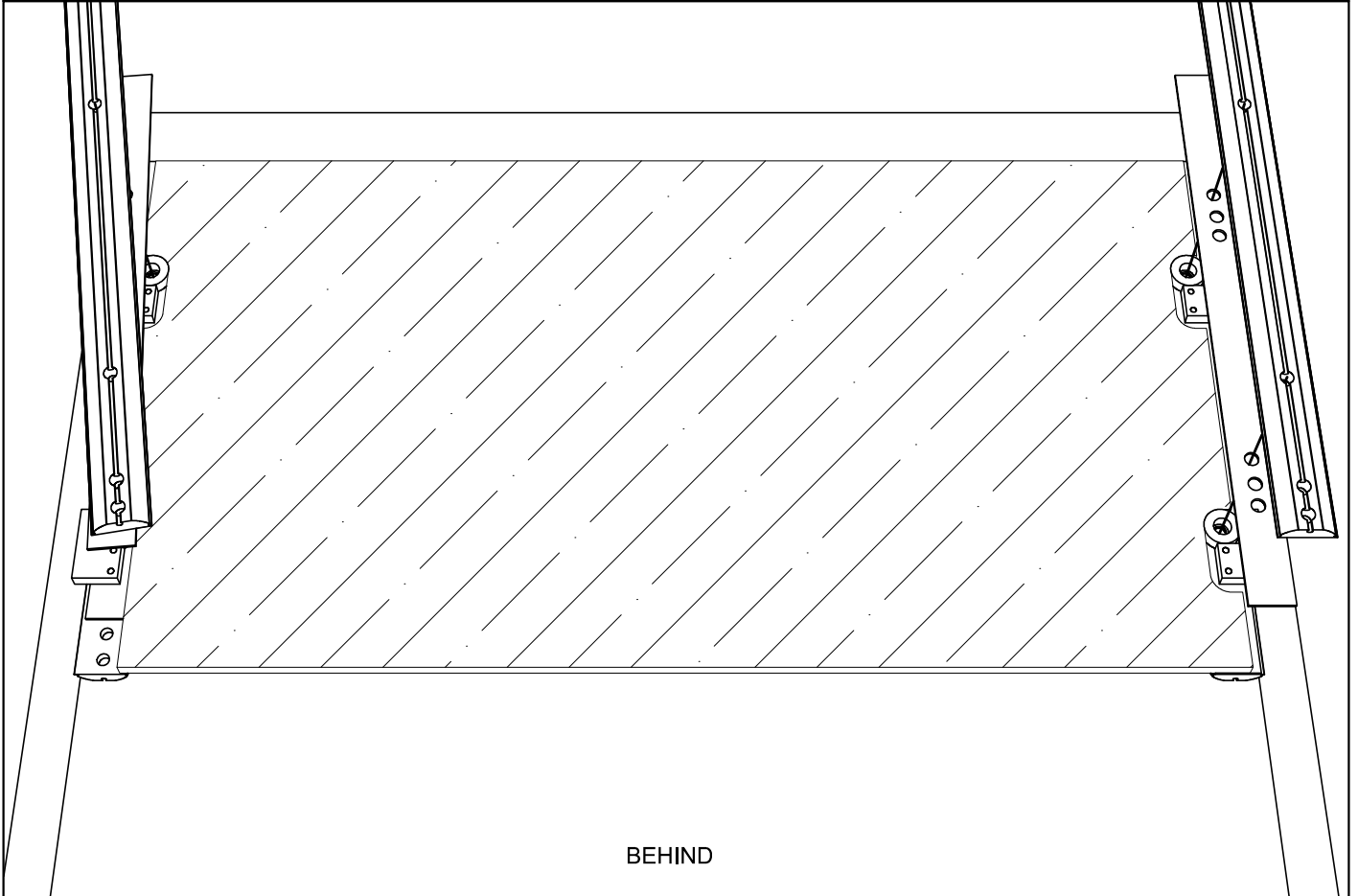
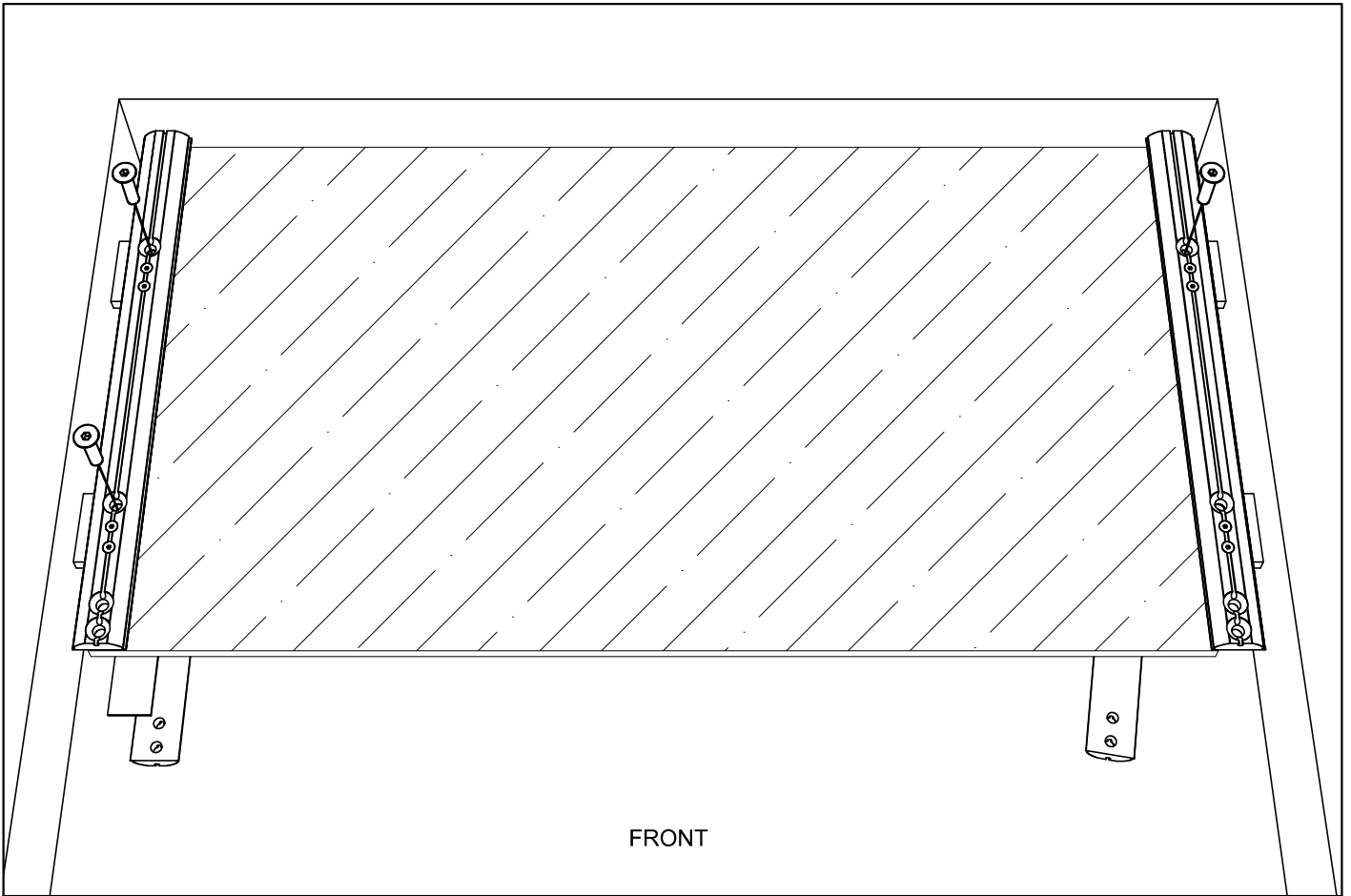
FRONT



BEHIND

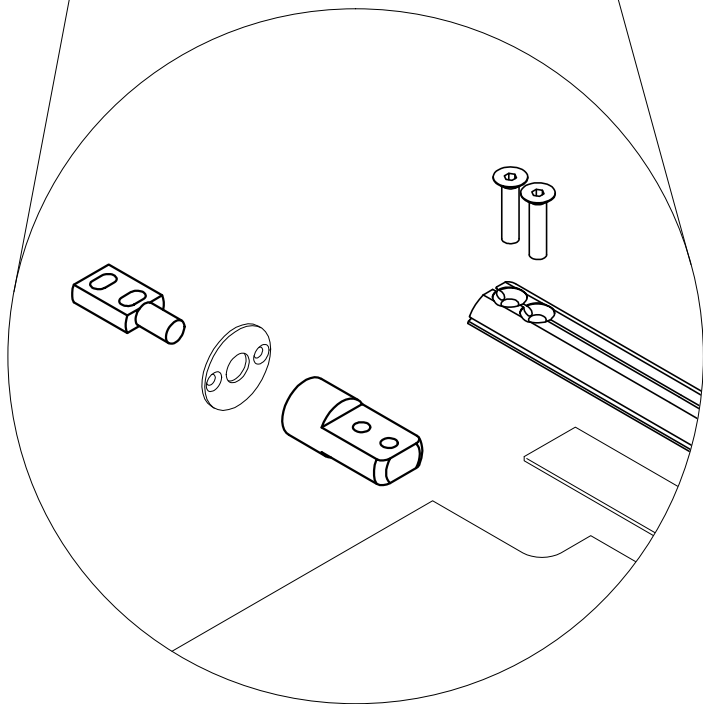
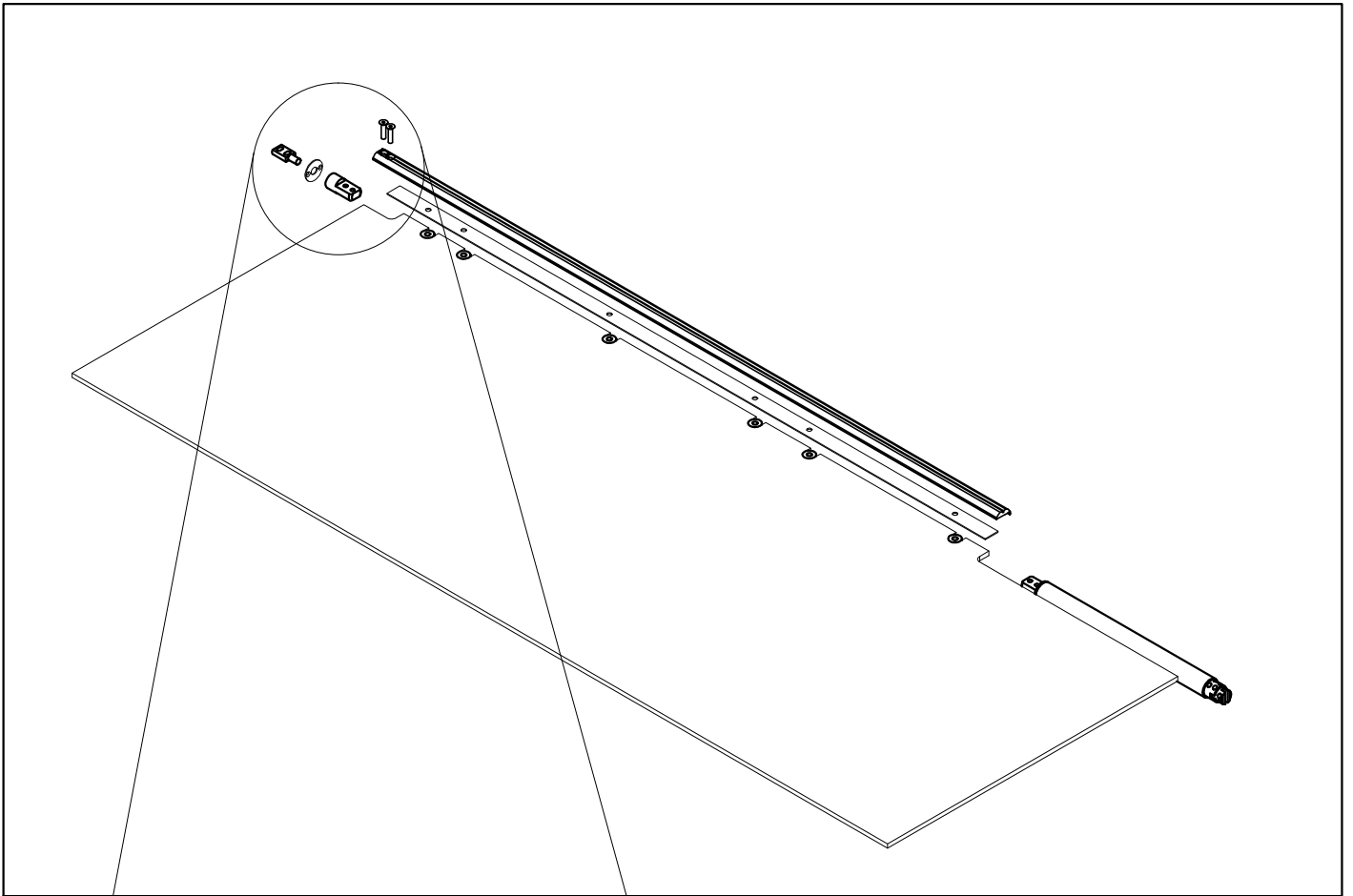
D2.07

ZENITH D2 - INSTALL THE OVERPANEL



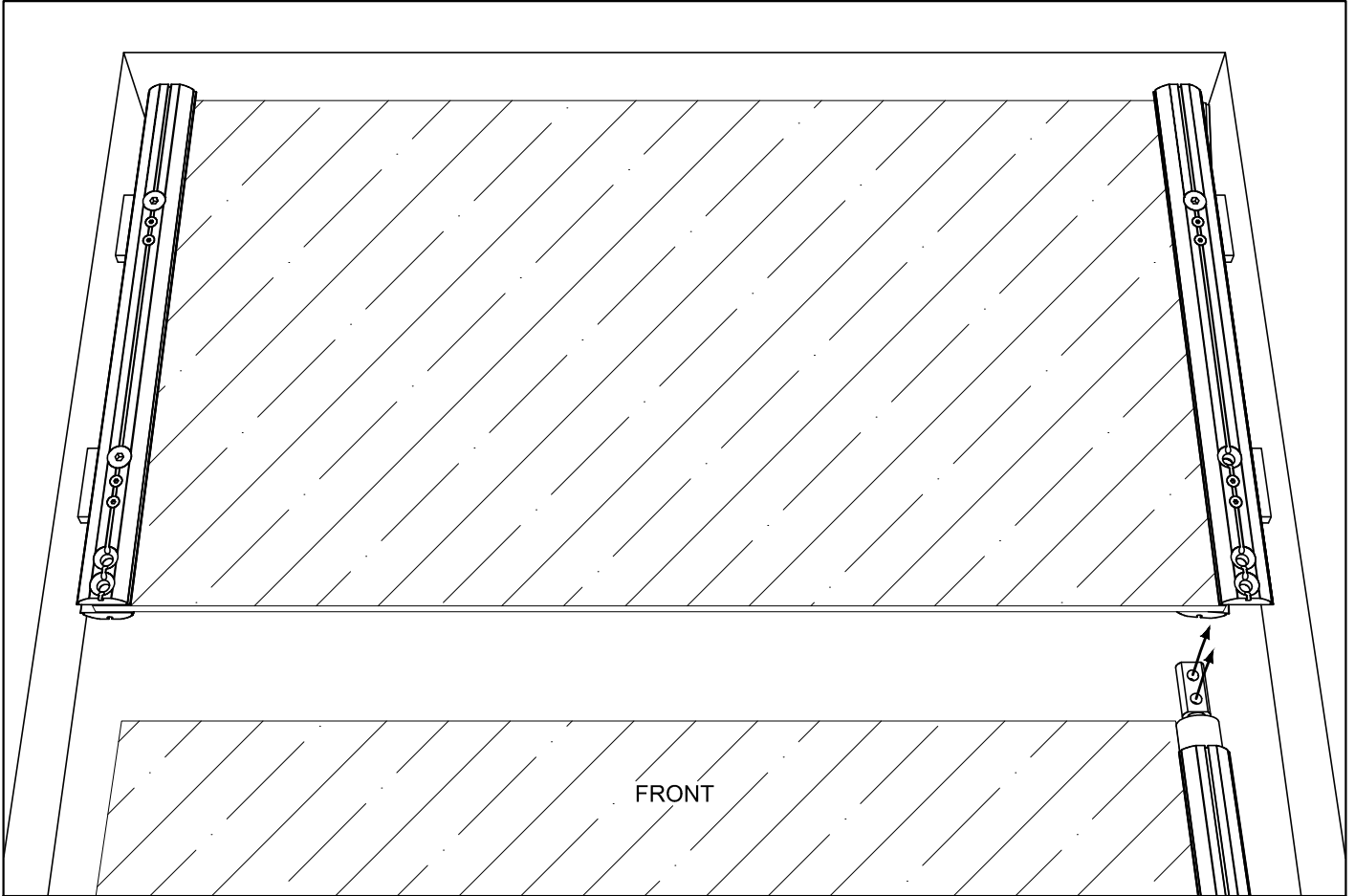
D2.08

ZENITH D2 - MOUNTING THE LEFT ALUMINIUM BAR AND LEAF
FREE TO ROTATE THE RIGHT ONE



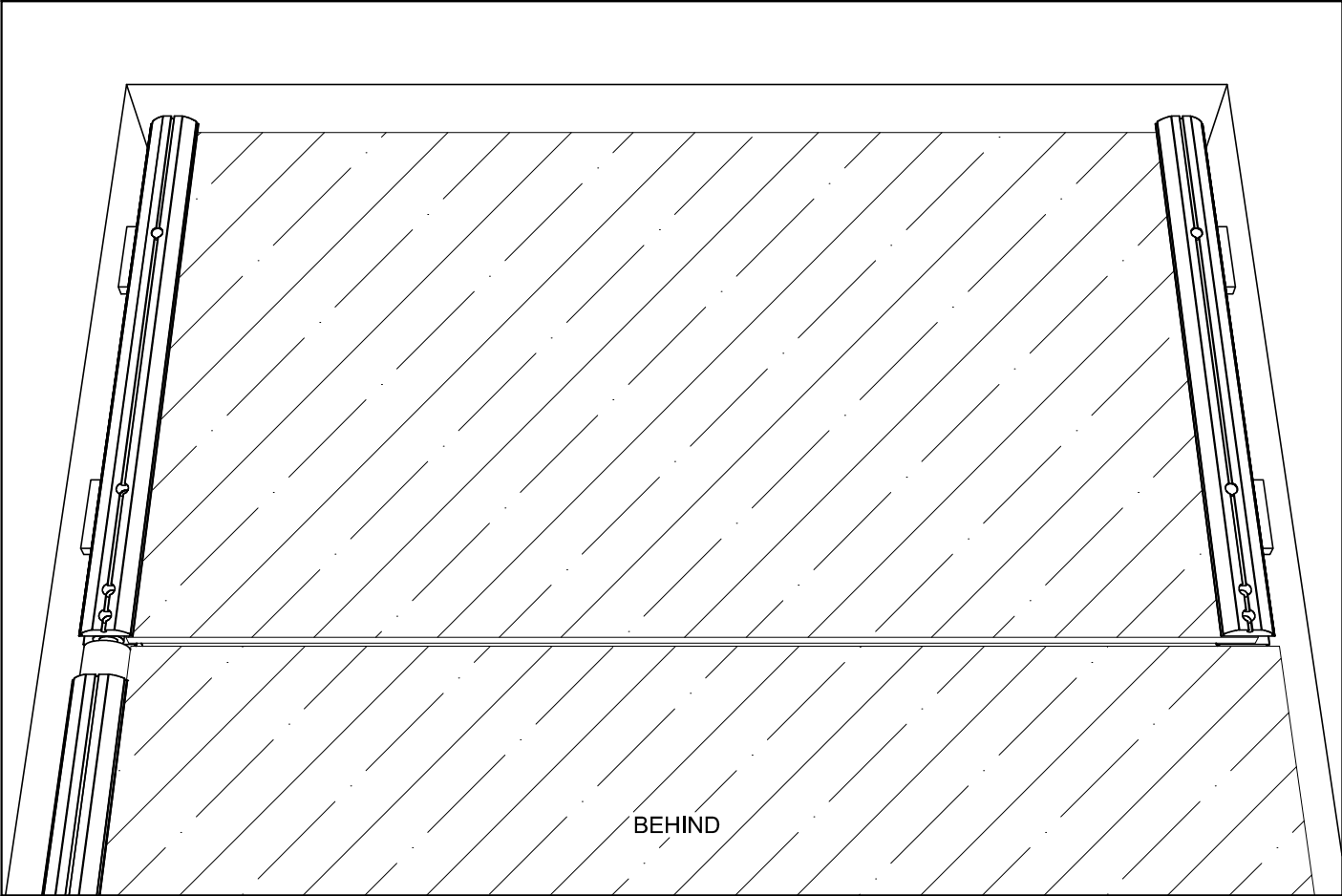
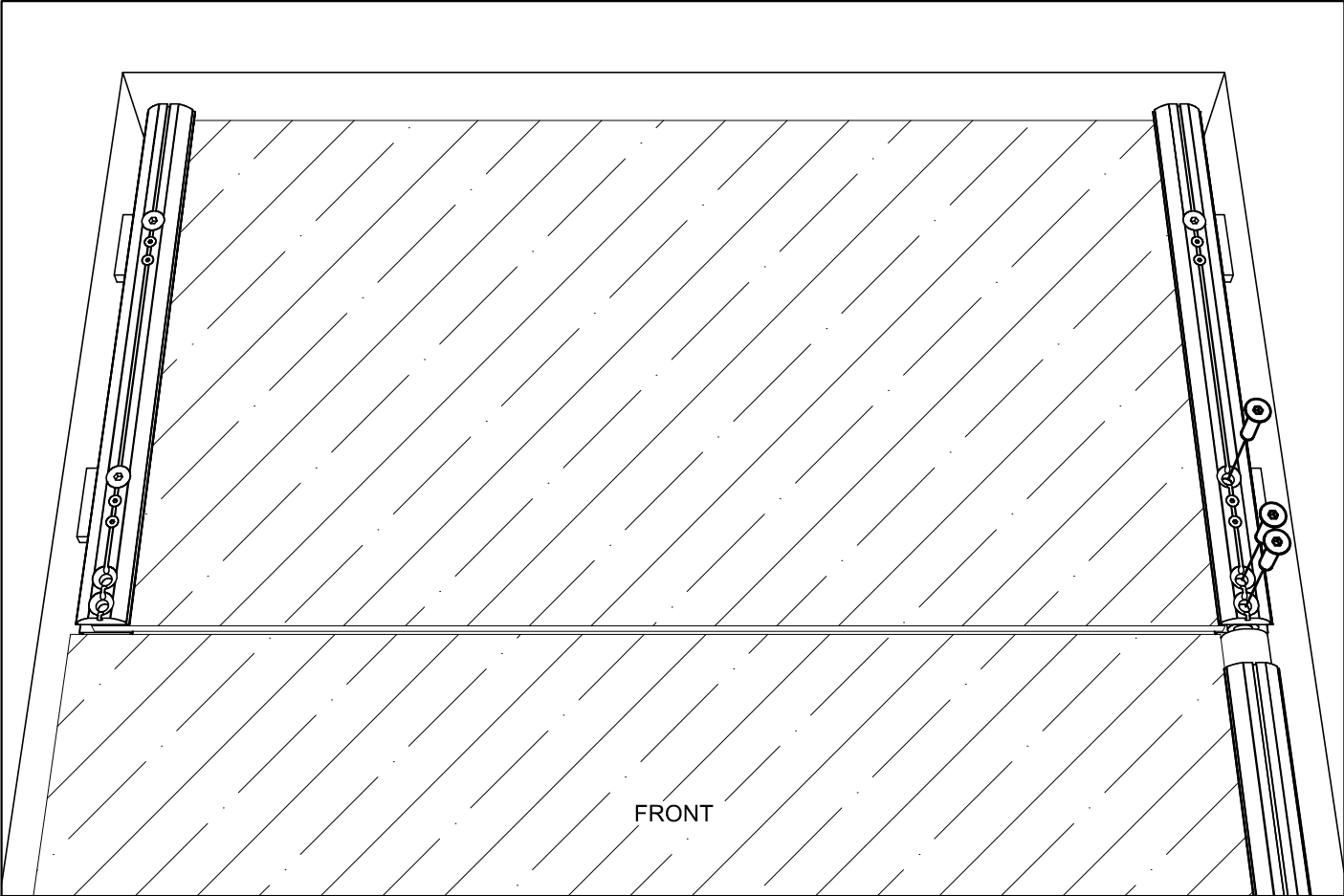
D2.09

ZENITH D2 - MOUNTING DOOR CLOSER, ALUMINIUM BARS AND ACCESSORIES ON THE GLASS DOOR



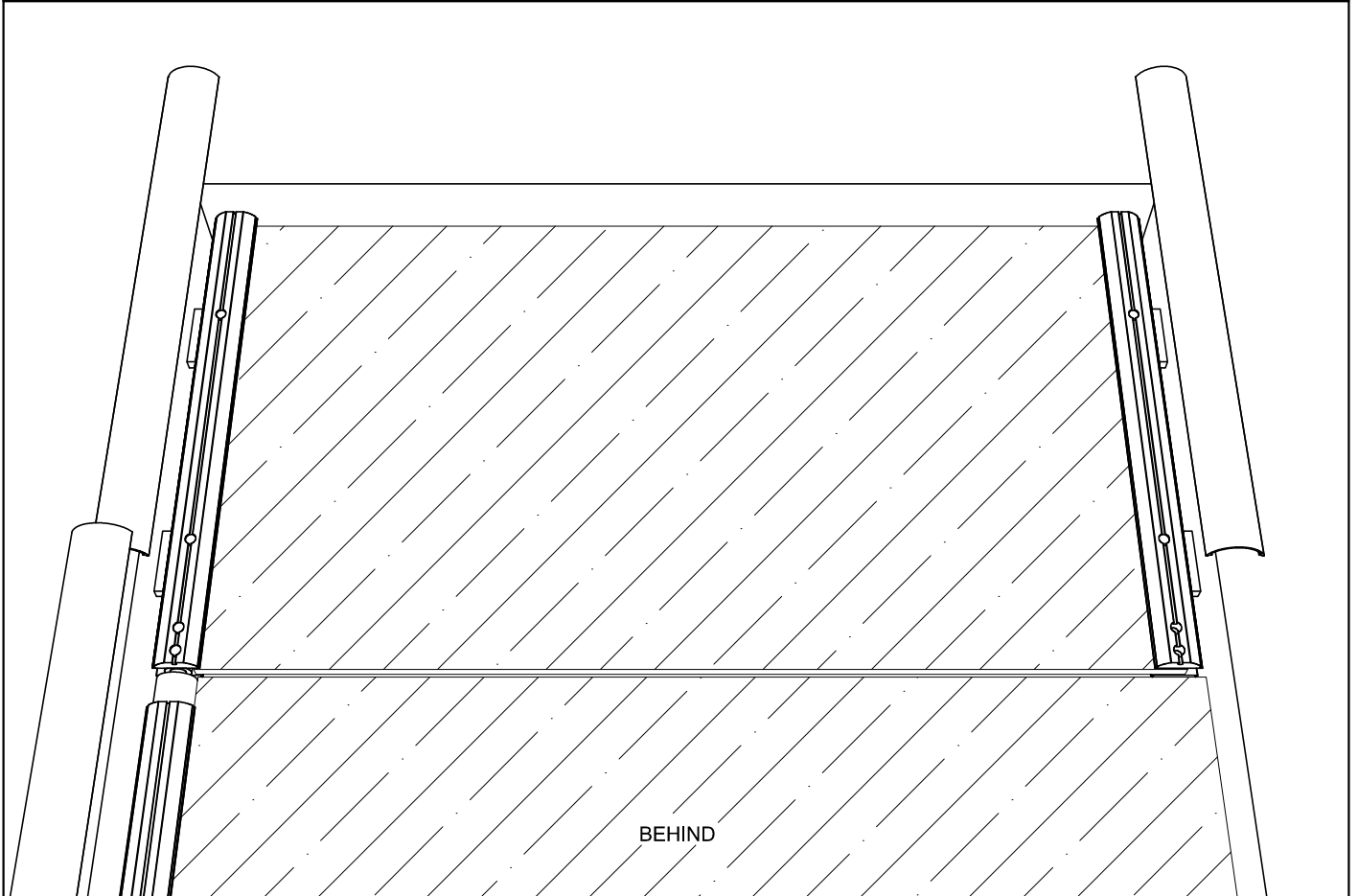
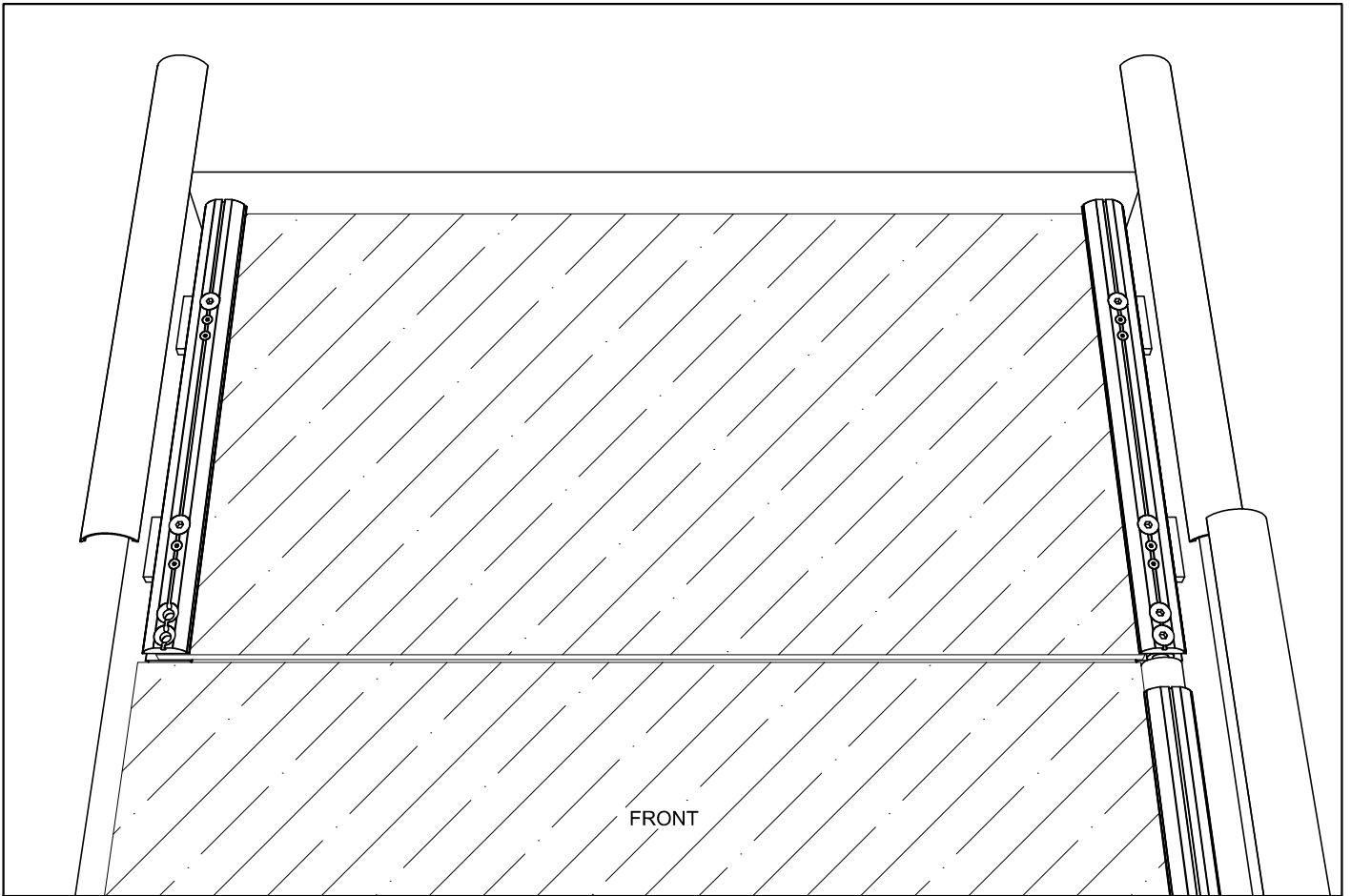
D2.10

ZENITH D2 - INSTALL THE DOOR



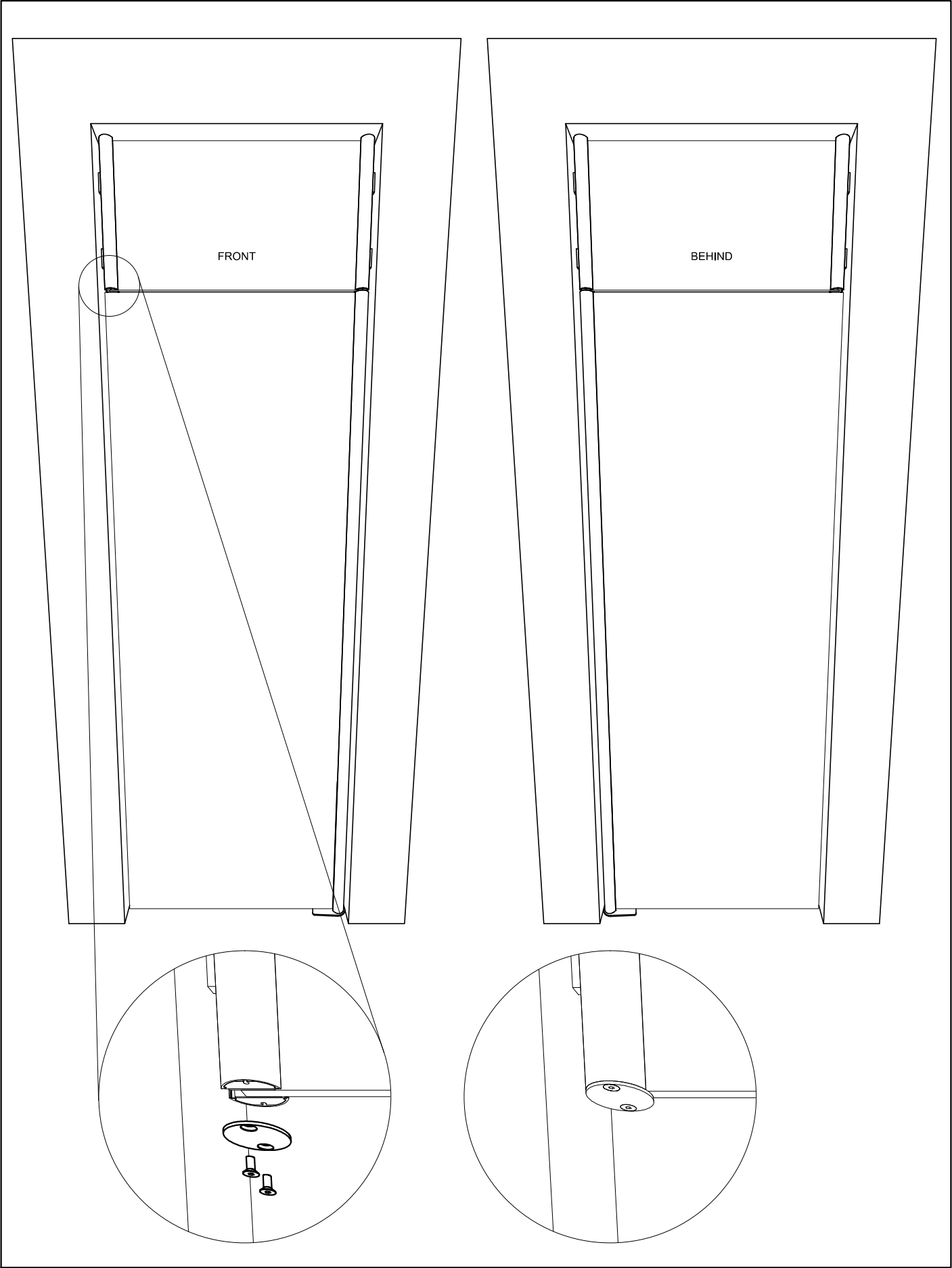
D2.11

ZENITH D2 - CLOSE THE RIGHT ALUMINIUM BAR



D2.12

ZENITH D2 - MOUNTING COVERPLATES



D2.13

ZENITH D2 - GLASS DOOR WITH OVERPANEL