



ALFA SRL

ZENITH D - INSTALLATION INSTRUCTIONS

update 1.0
06/2011

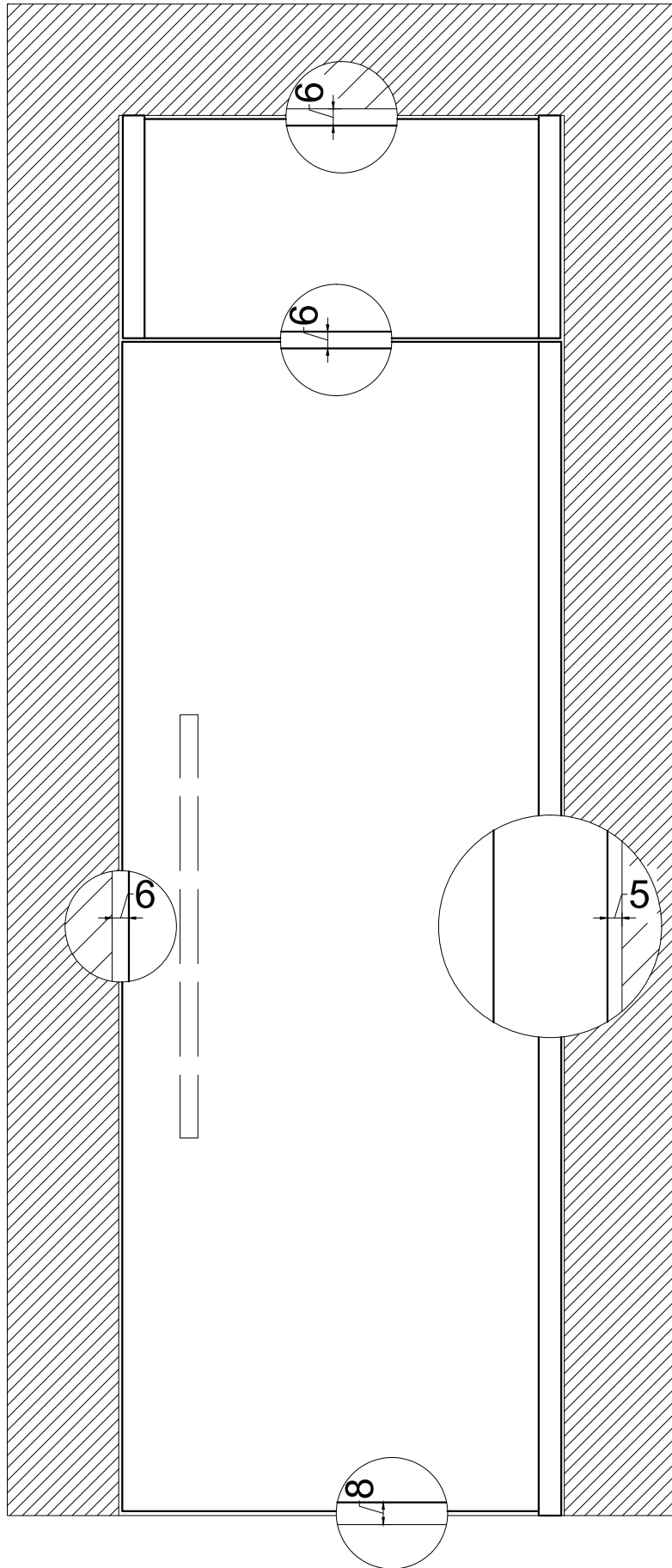
GLASS DOOR WITH OVERPANEL

solutions D2 and DD2

Note: for installation of the glass door see instructions D1 and DD1

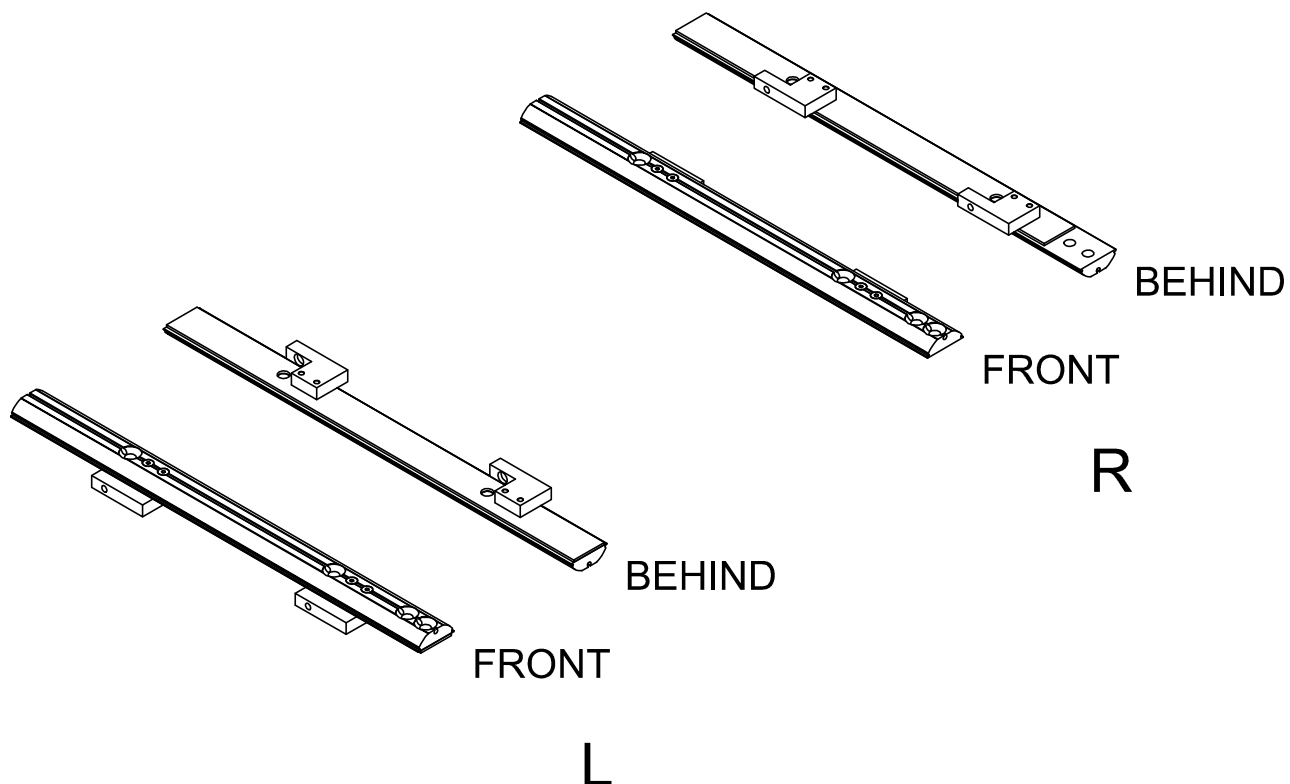
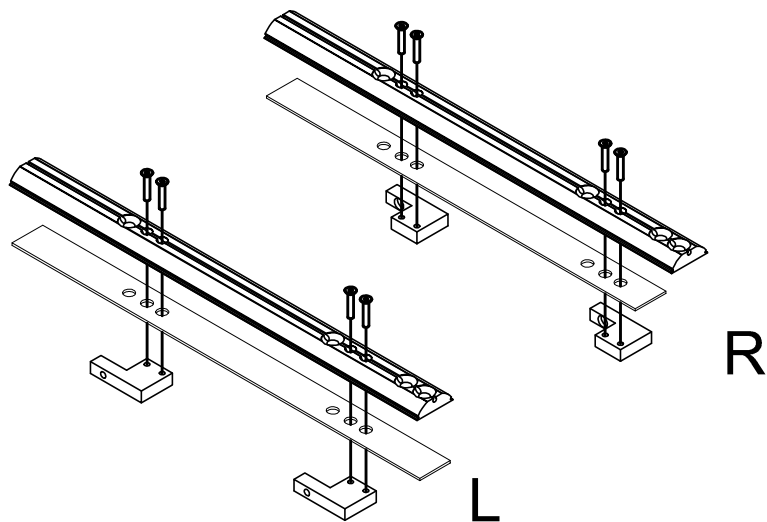
D2.00

- ZENITH D2 - DD2
INSTALLATION INSTRUCTIONS
GLASS DOOR WITH OVERPANEL



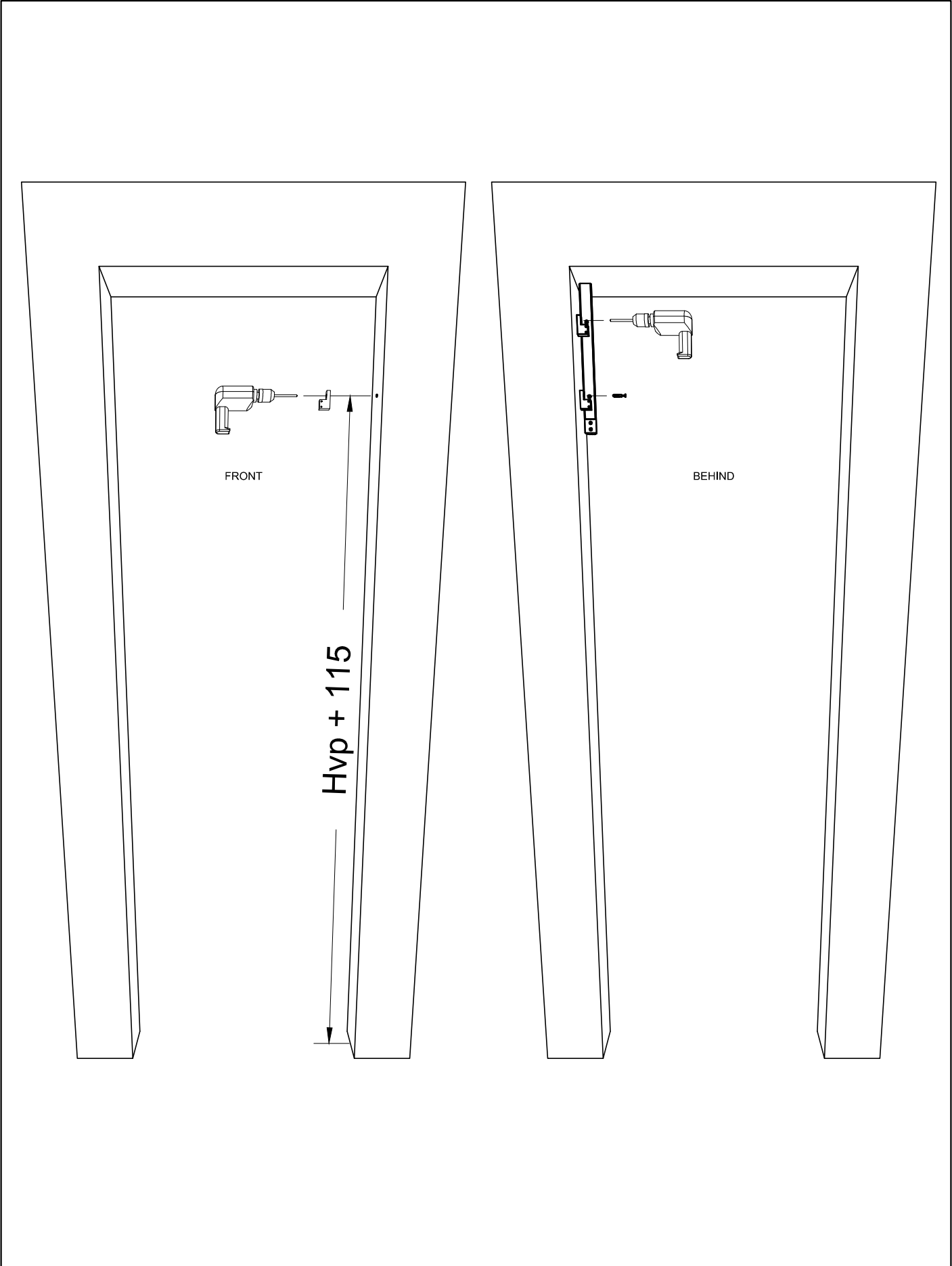
D2.01

ZENITH D2 - GLASS DOOR WITH OVERPANEL



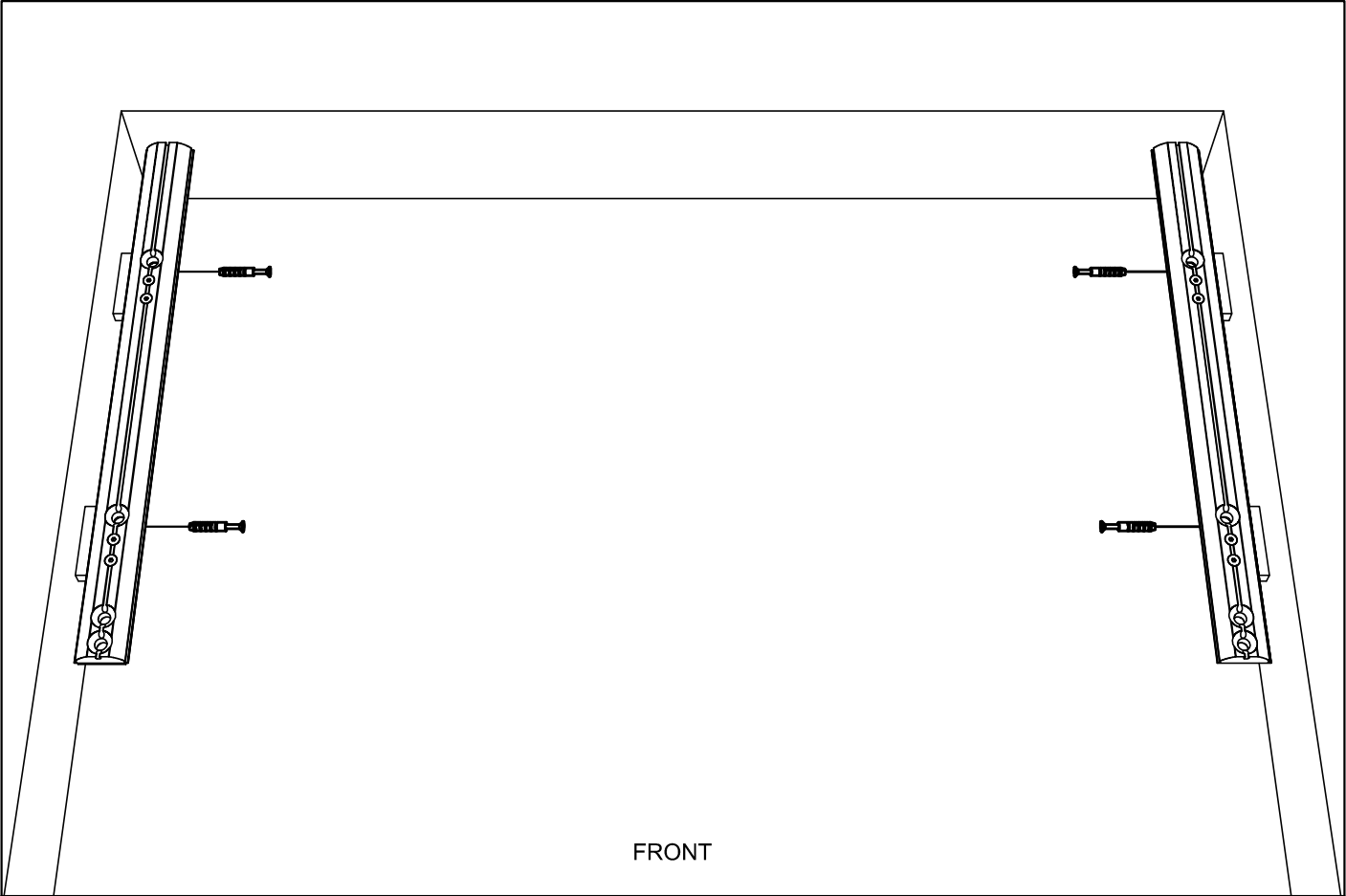
D2.02

ZENITH D2 - PREPARING FOR THE BRACKETS ("L" SHAPED)
TO THE WALL

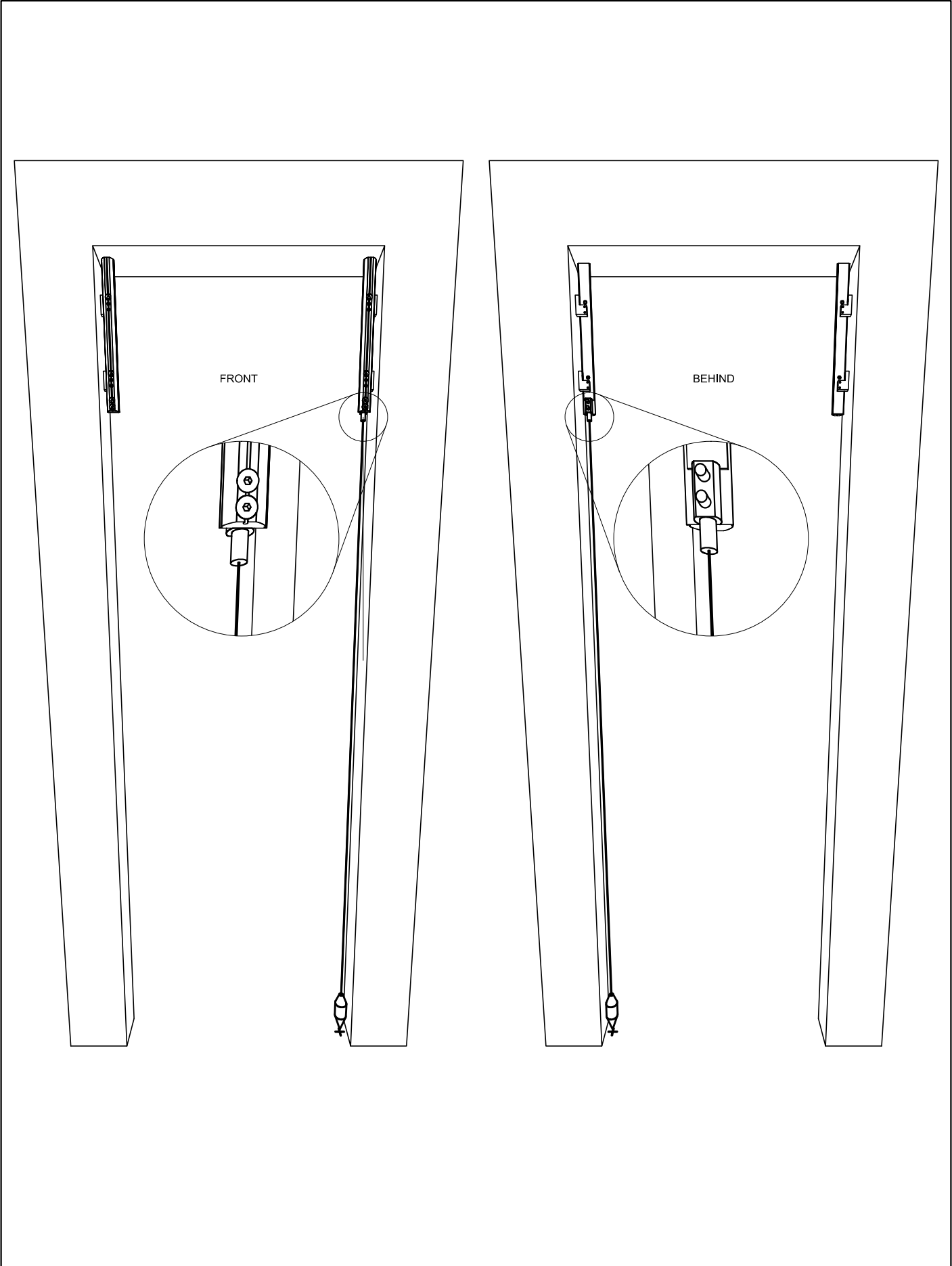


D2.03

ZENITH D2 - POSITION OF THE FIRST HOLE OF ARTICLE SF KIT ZD 00

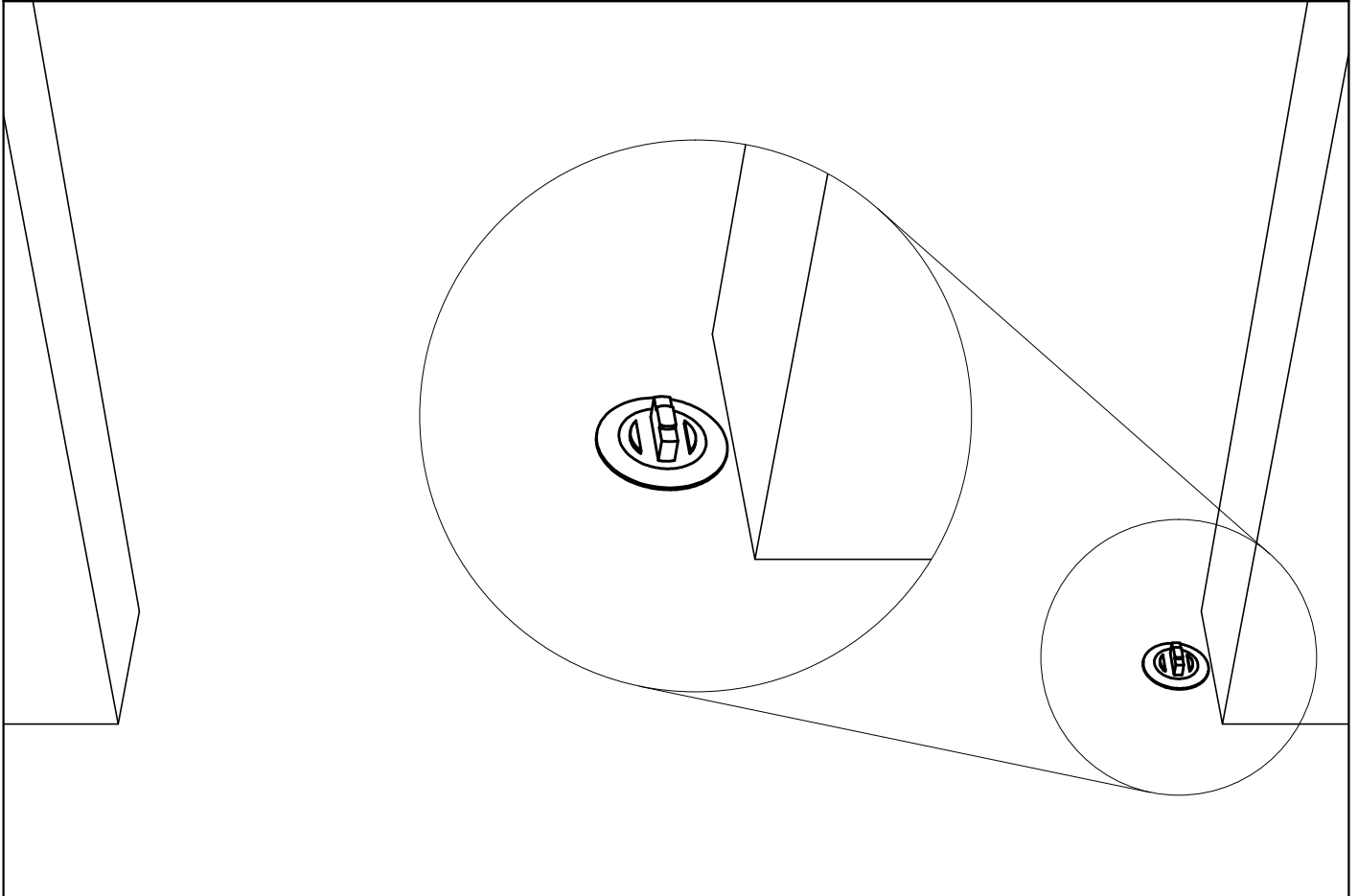
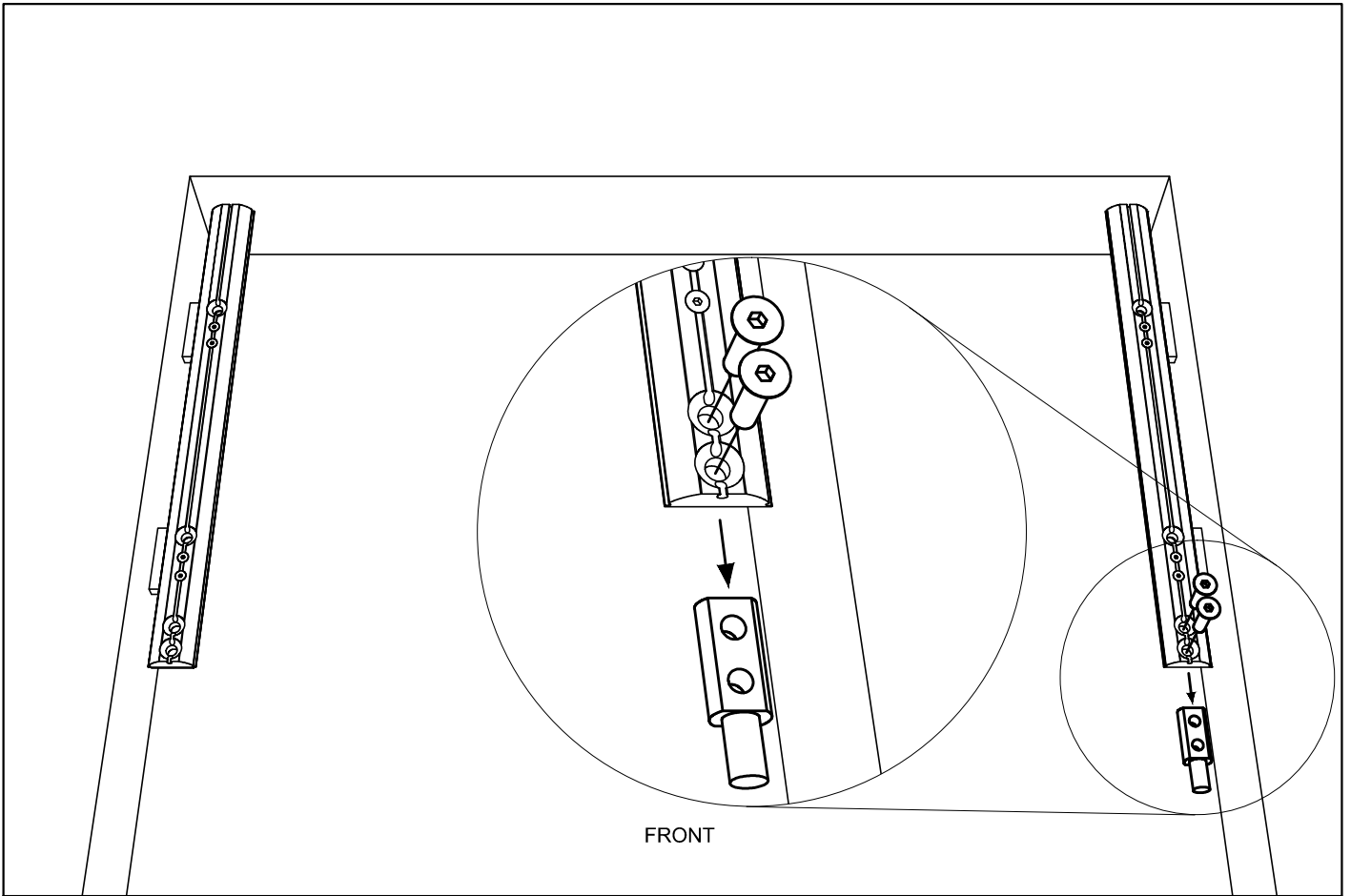


D2.04	ZENITH D2 - FIXING BRACKETS
-------	-----------------------------

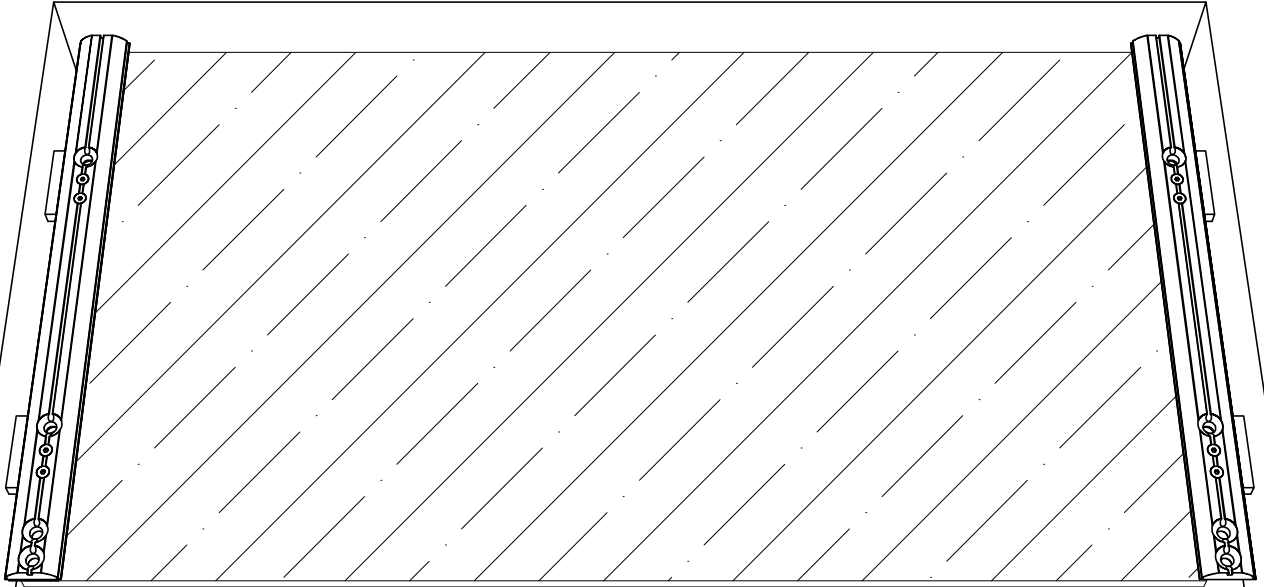


D2.05

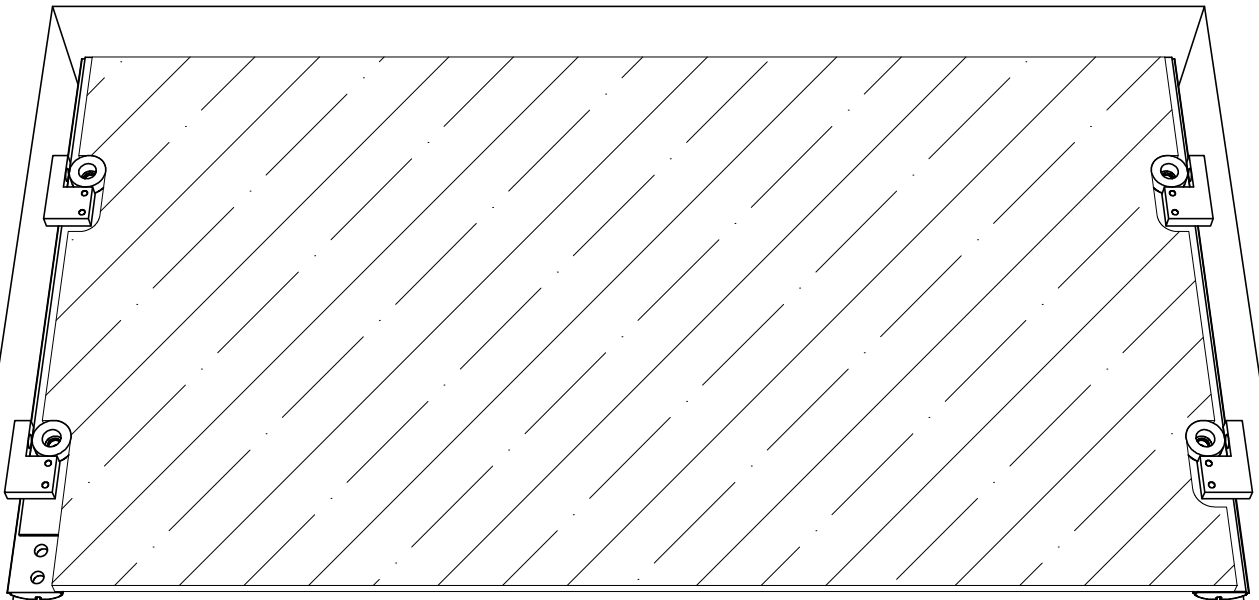
ZENITH D2 - MOUNTING THE INDICATED PIVOT AND FINDING
THE DOOR CLOSER CENTRE ON THE GROUND



D2.06	ZENITH D2 - REMOVE THE TOP PIVOT AND SETTING THE BOTTOM ACCESSORY ON THE GROUND (see installation instruction of the door)
-------	--



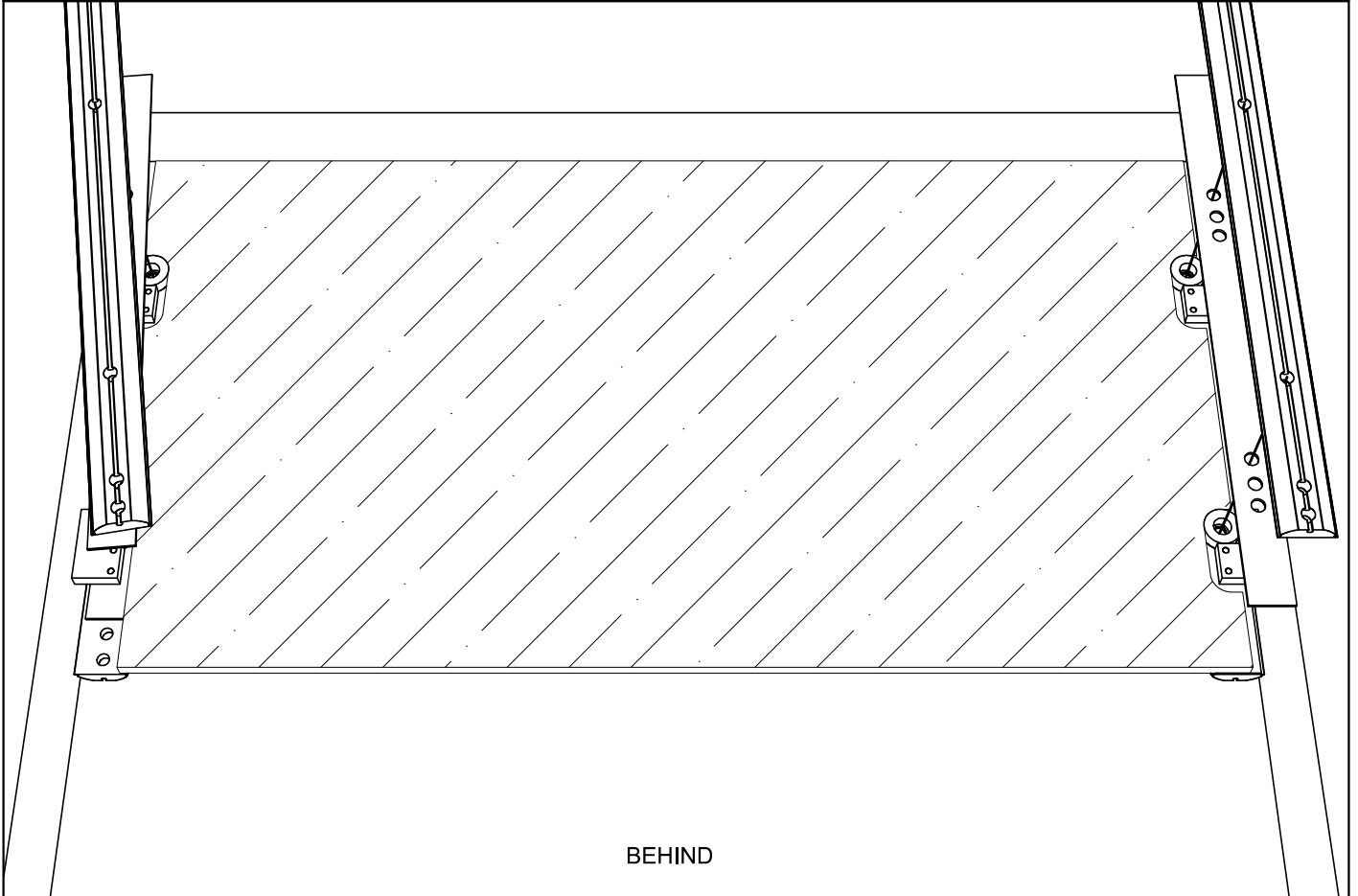
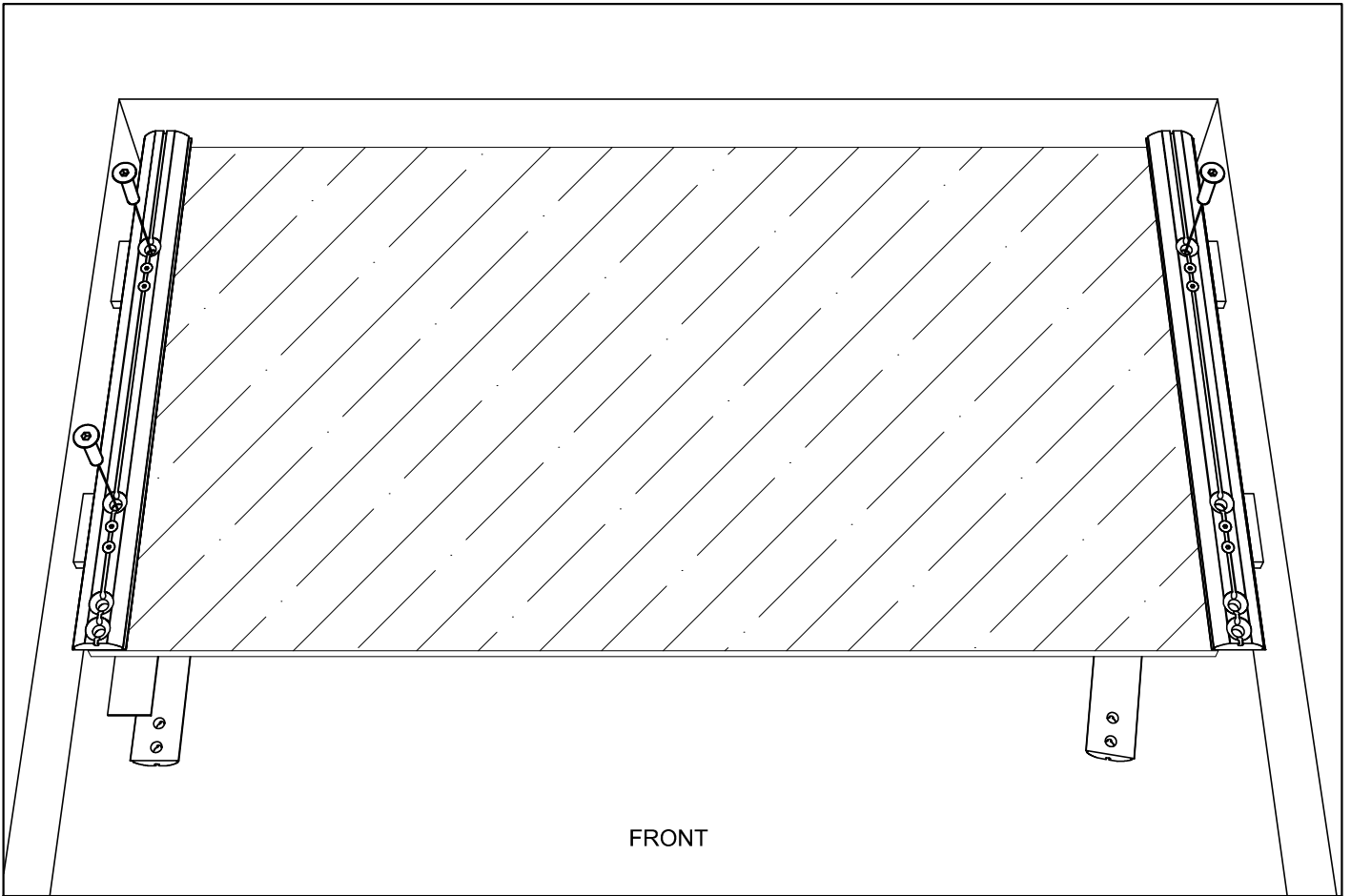
FRONT



BEHIND

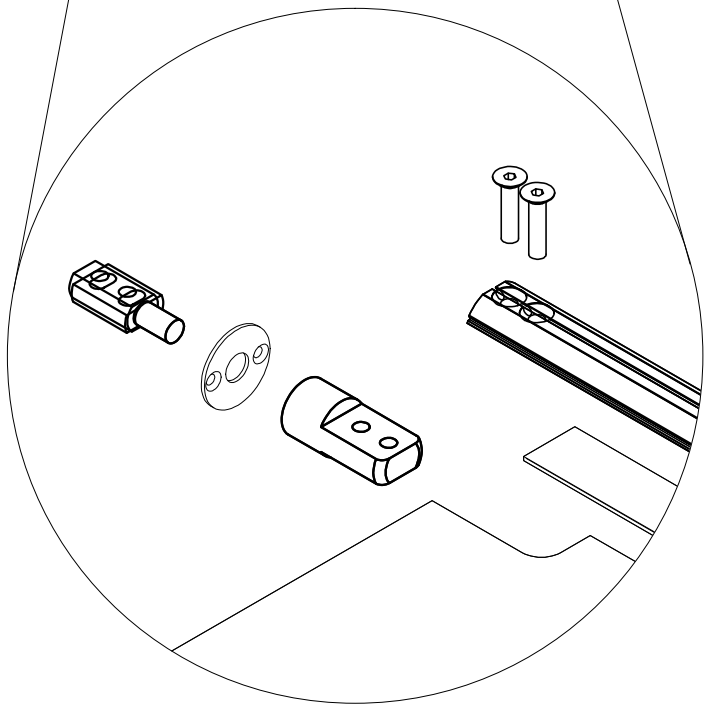
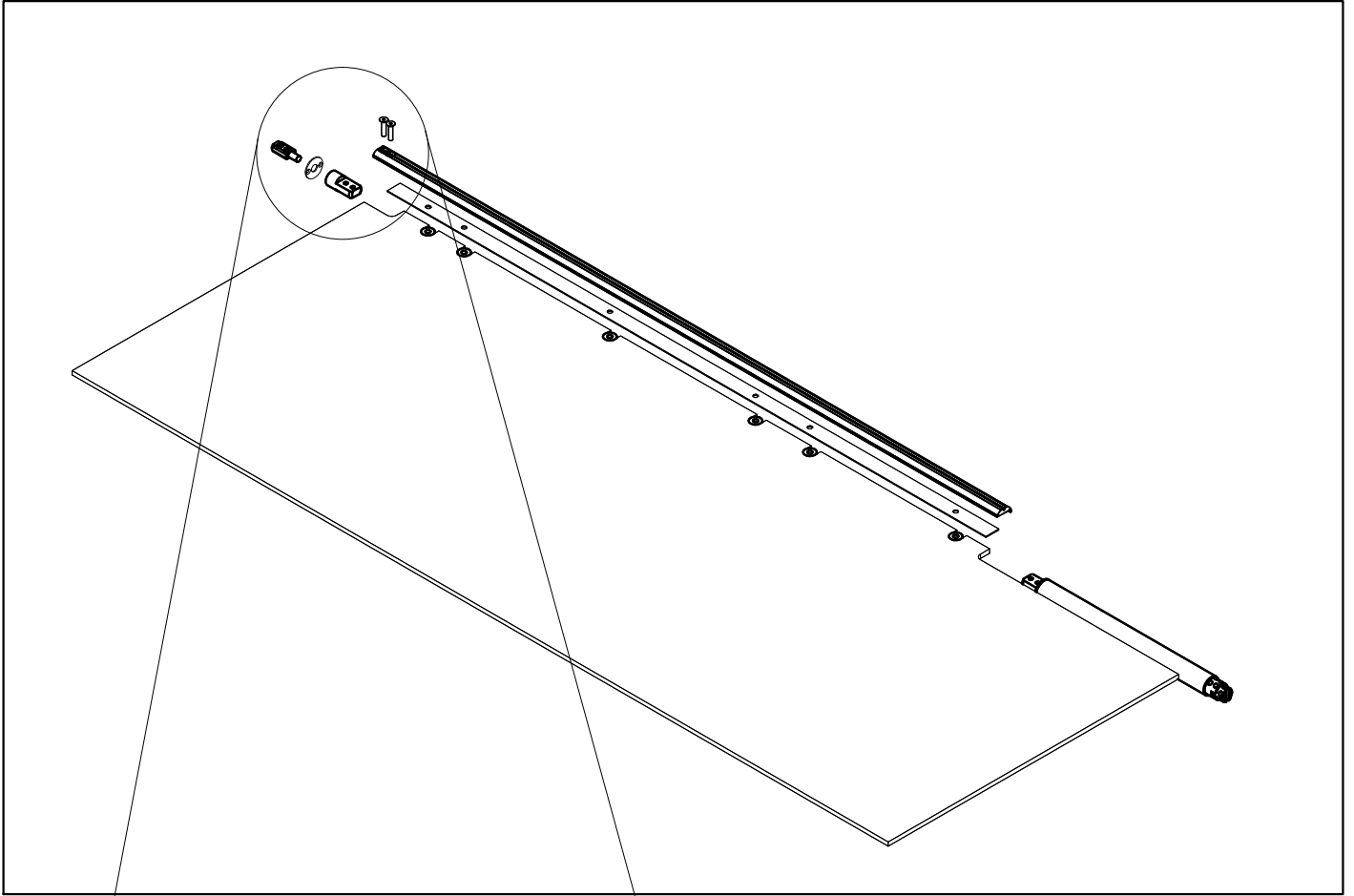
D2.07

ZENITH D2 - INSTALL THE OVERPANEL

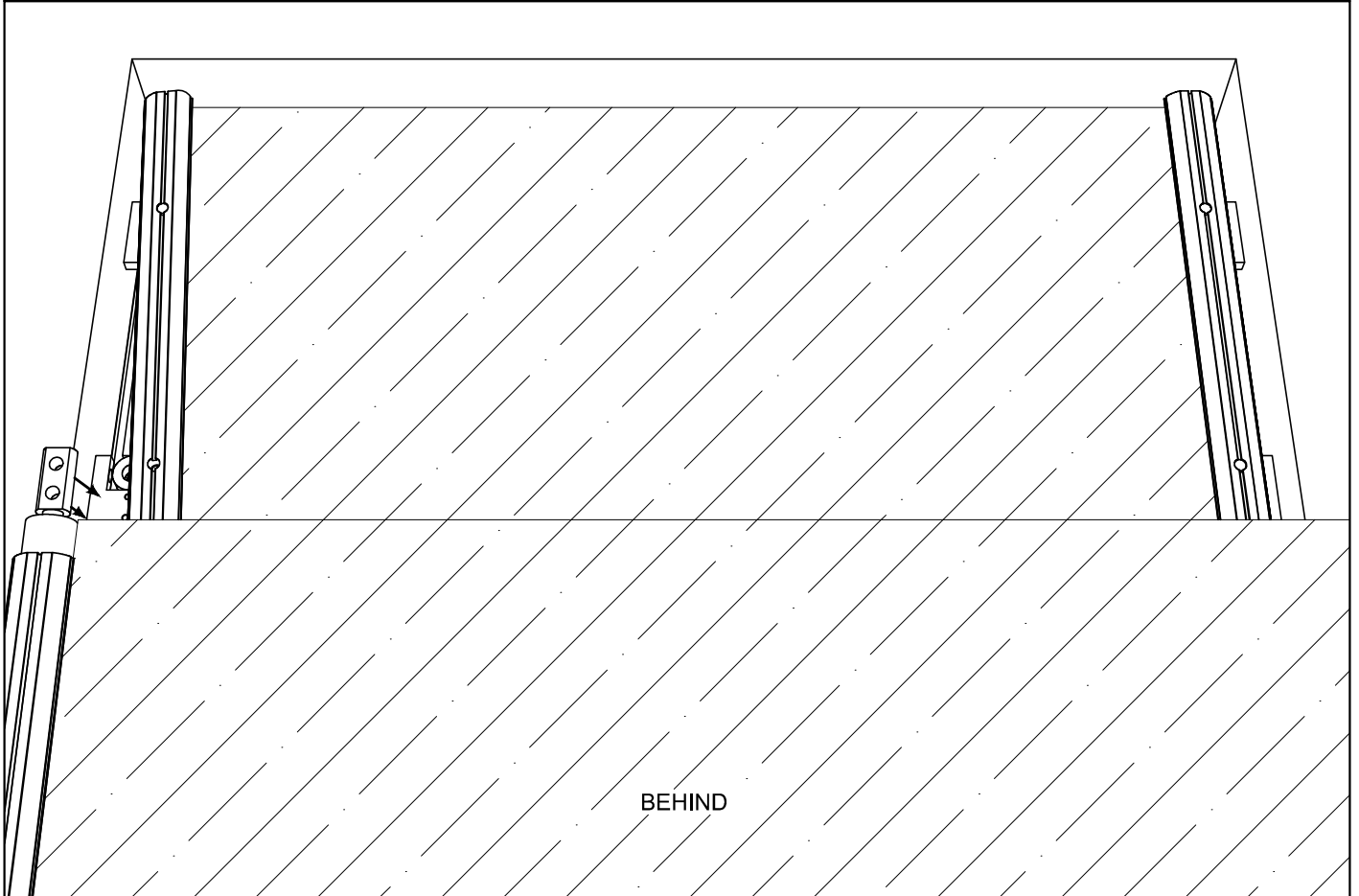
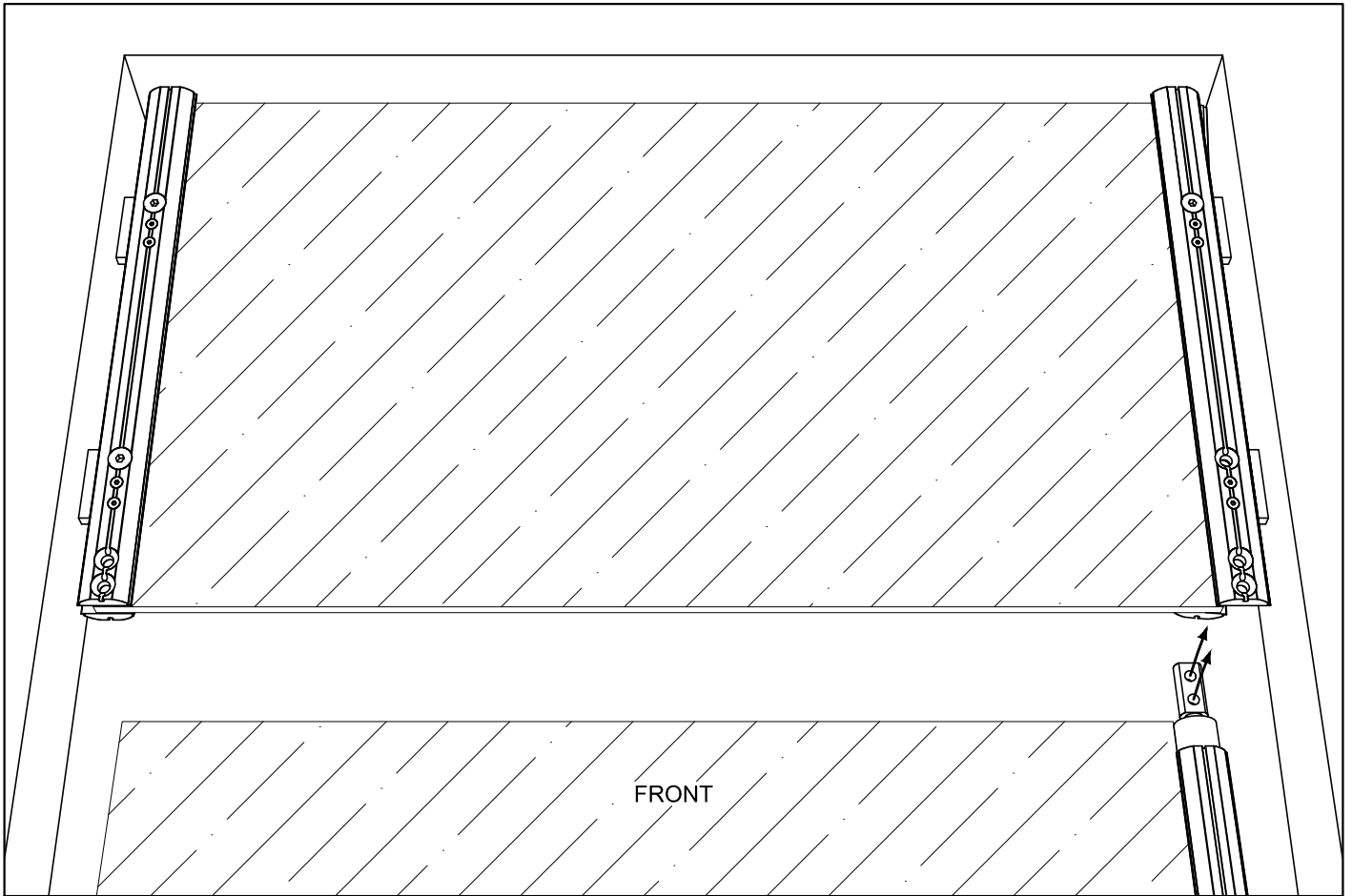


D2.08

ZENITH D2 - MOUNTING THE LEFT ALUMINIUM BAR AND LEAVE
FREE TO ROTATE THE RIGHT ONE

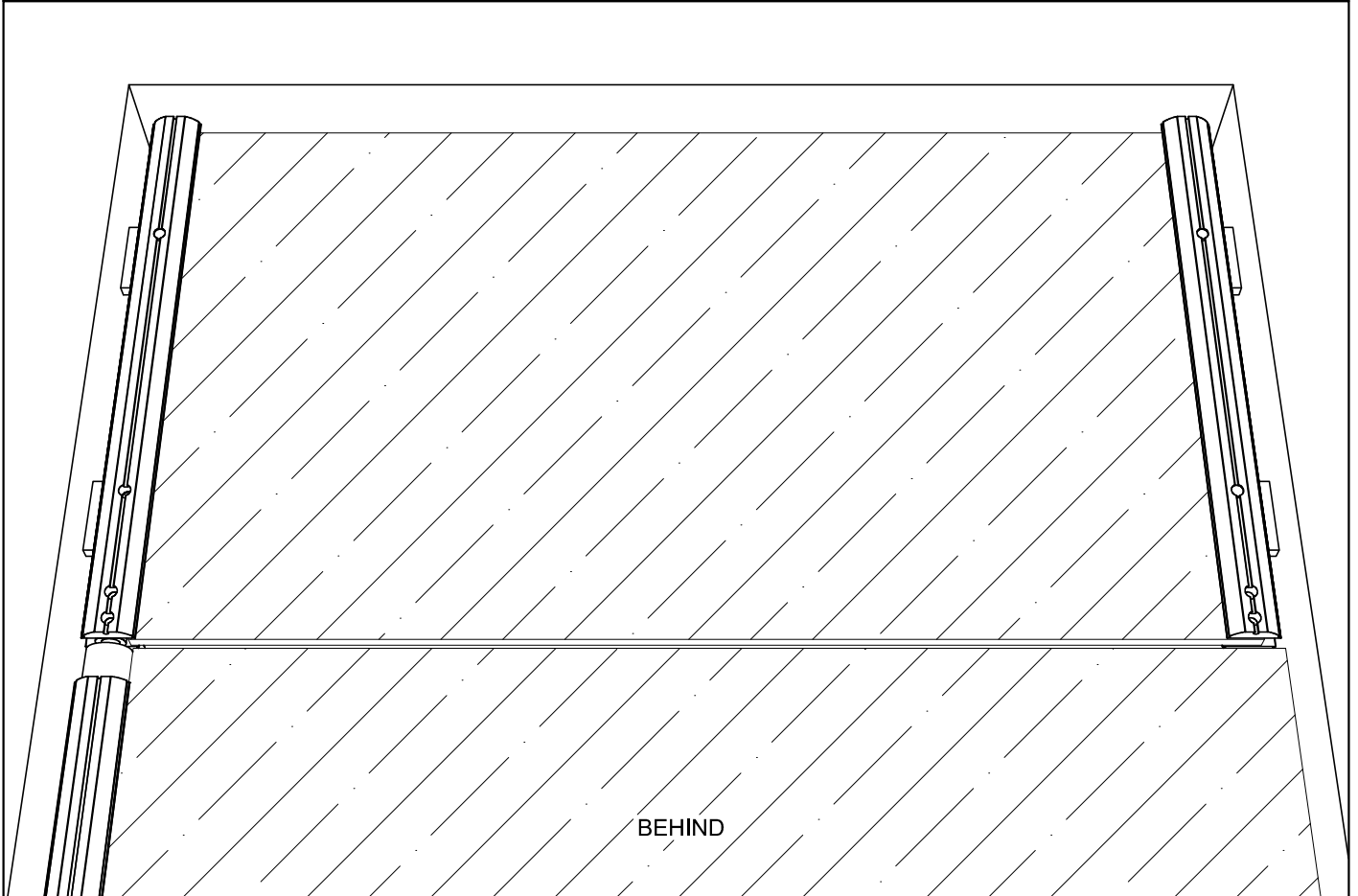
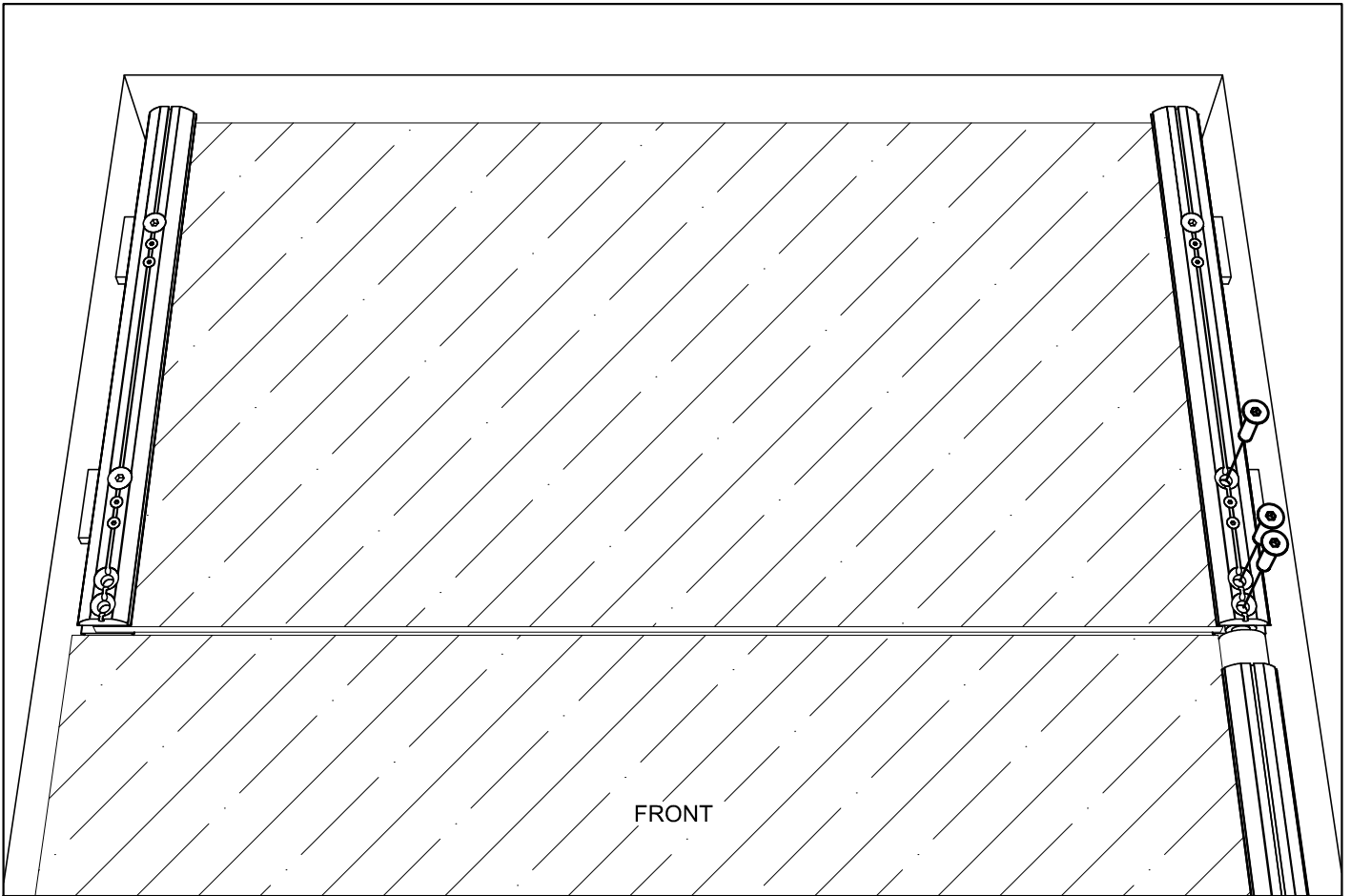


D2.09	ZENITH D2 - MOUNTING DOOR CLOSER, ALUMINIUM BARS AND ACCESSORIES ON THE GLASS DOOR
-------	--



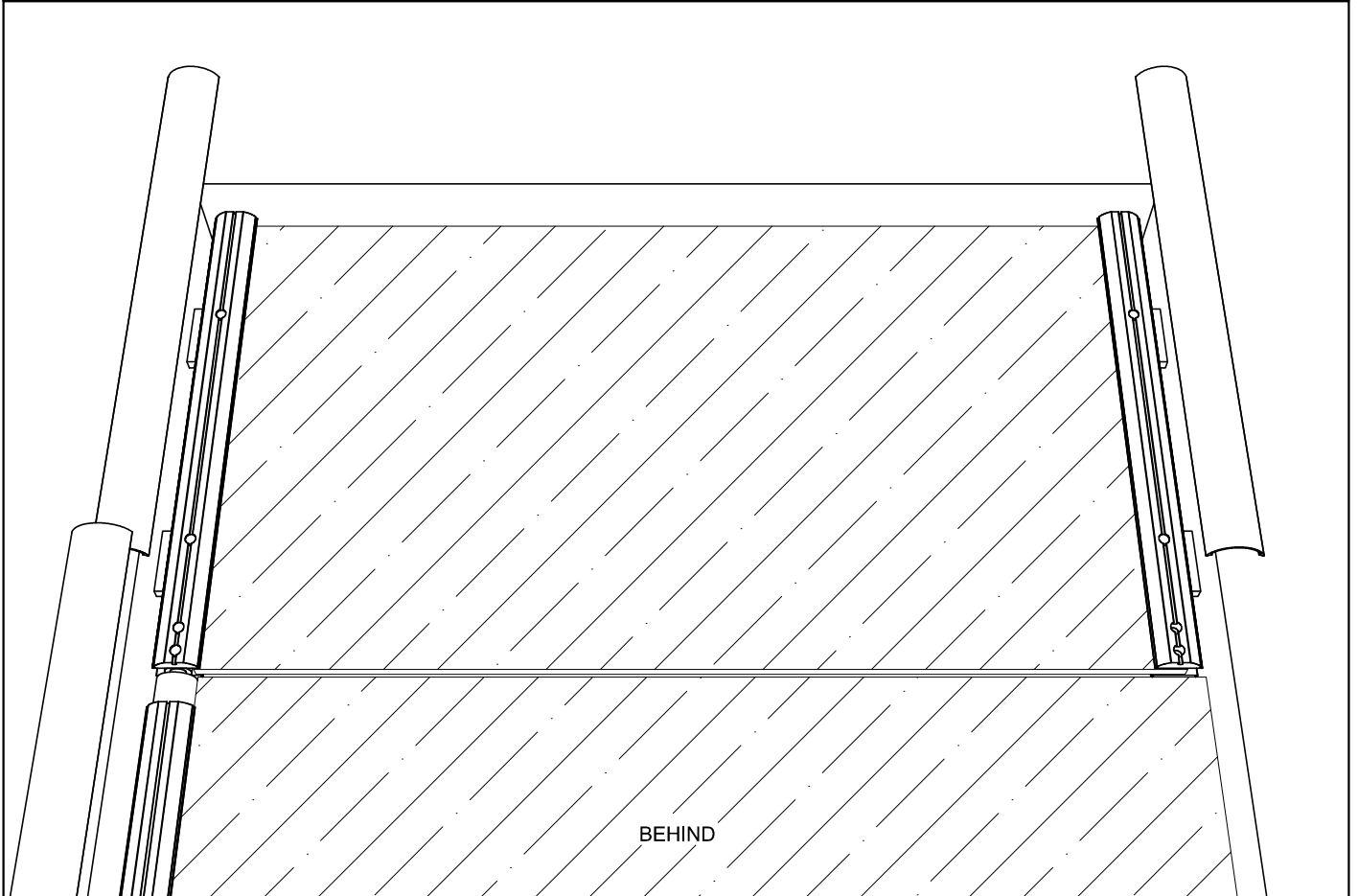
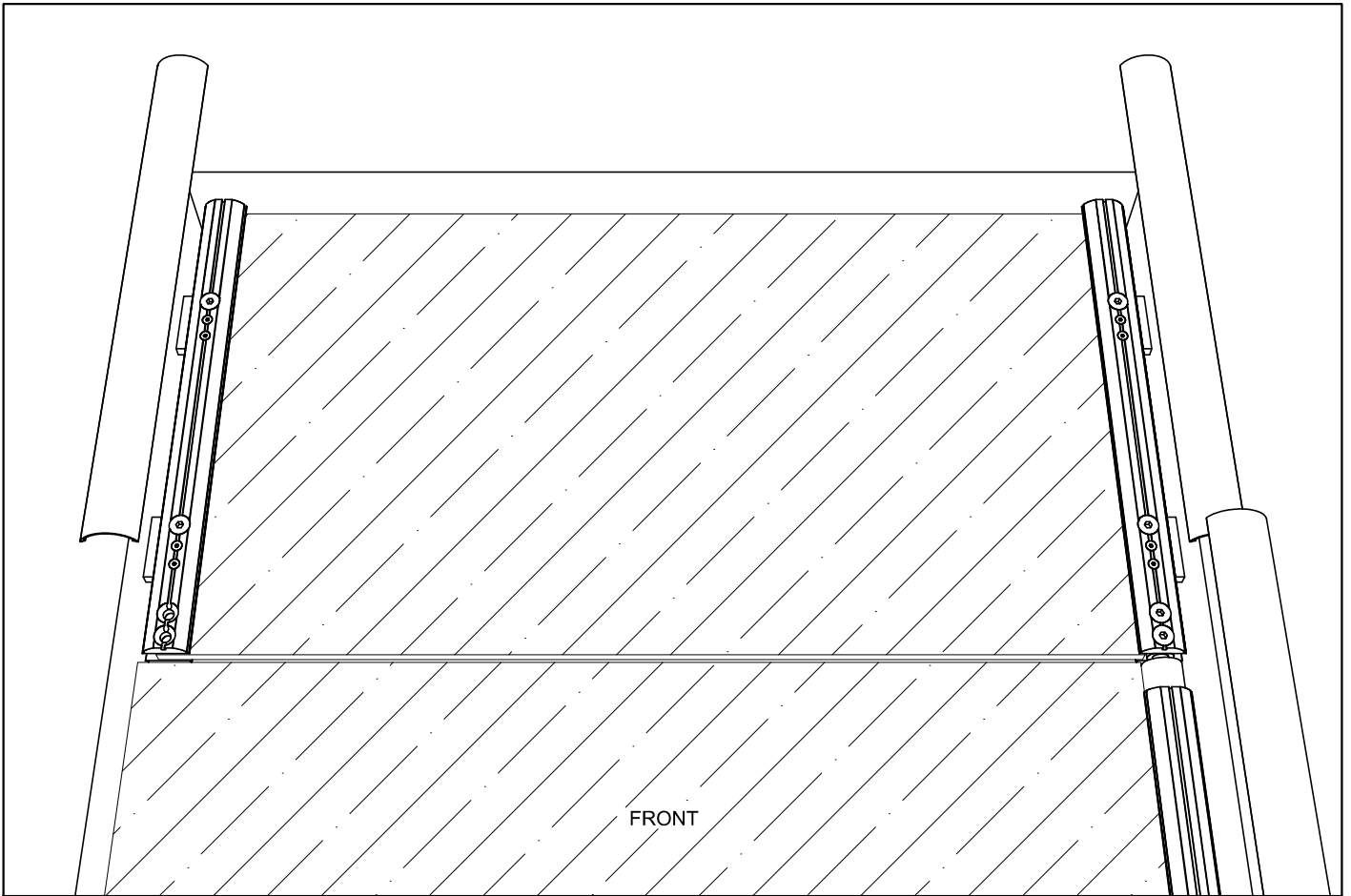
D2.10

ZENITH D2 - INSTALL THE DOOR



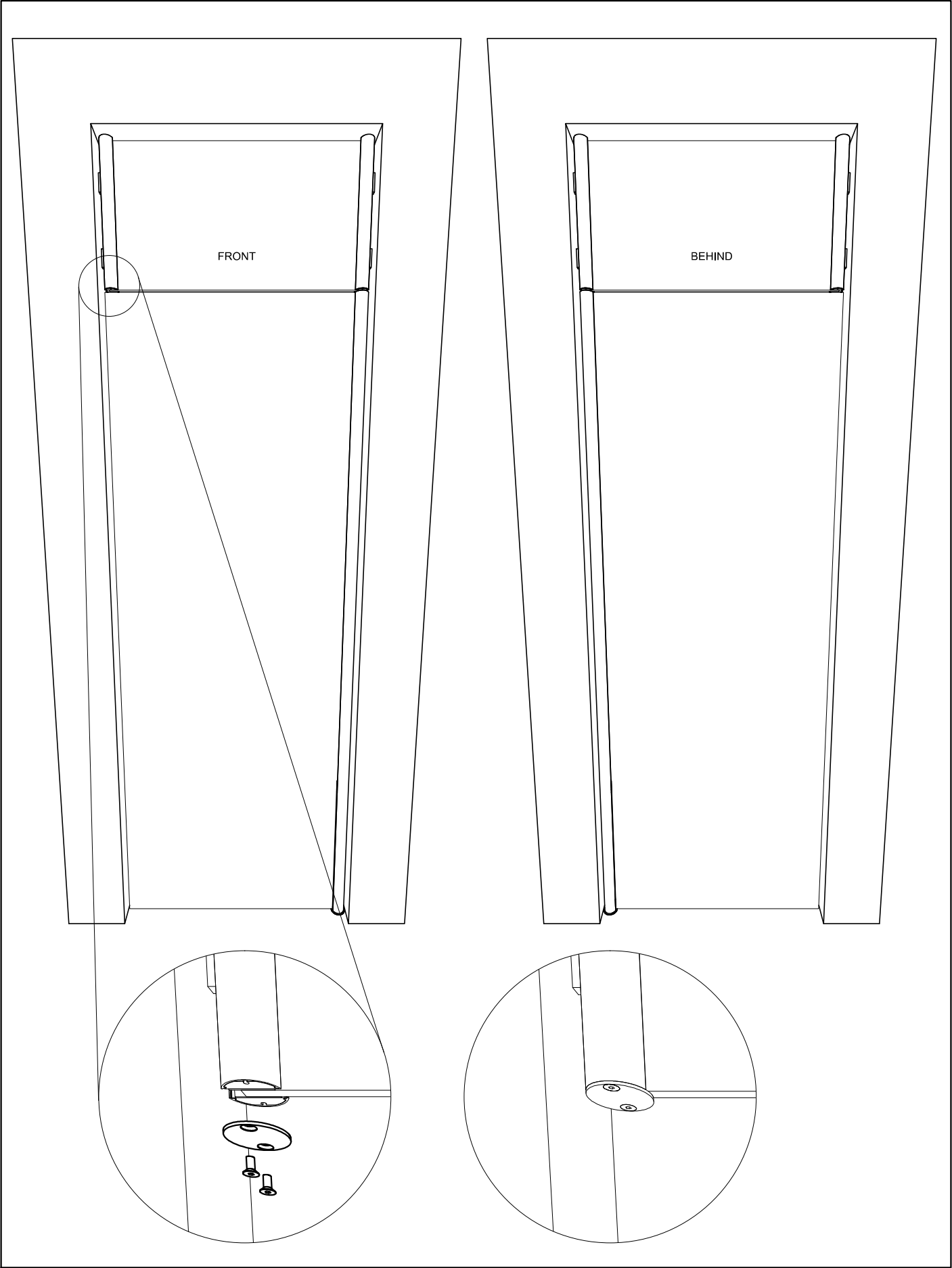
D2.11

ZENITH D2 - CLOSE THE RIGHT ALUMINIUM BAR



D2.12

ZENITH D2 - MOUNTING COVERPLATES



D2.13

ZENITH D2 - GLASS DOOR WITH OVERPANEL