



ALFA SRL

ZENITH D - INSTALLATION INSTRUCTIONS

update 1.0
06/2011

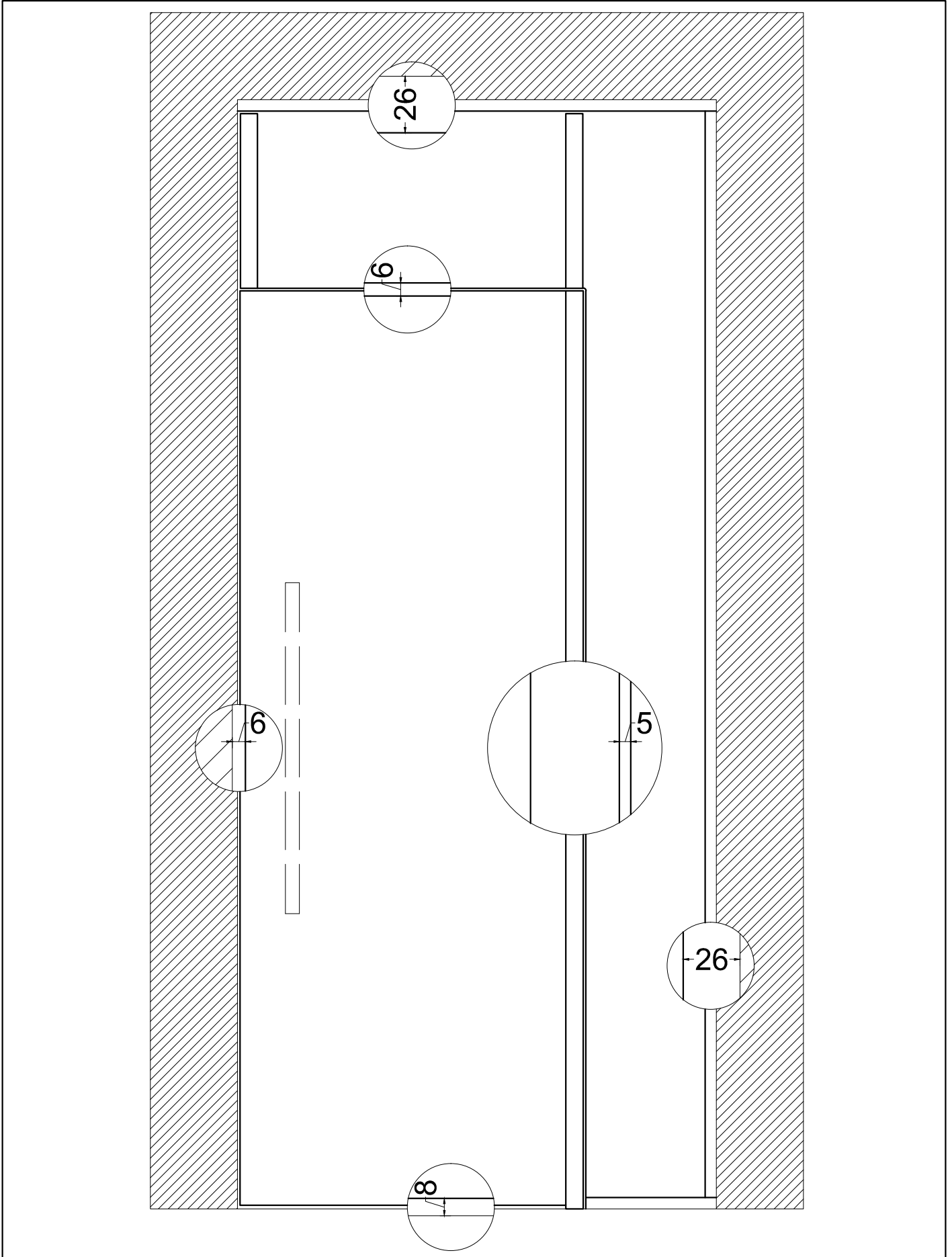
GLASS DOOR WITH OVERPANEL AND SIDELIGHT

solutions D3 D4 D5 D6

Note: for installation of the glass door see instructions D1 and DD1

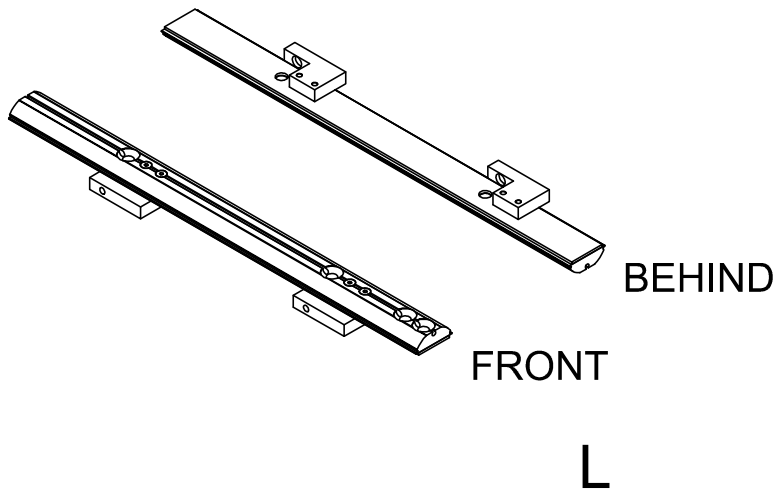
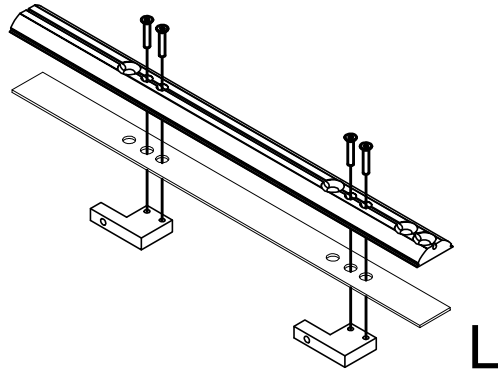
D3.00

ZENITH D3 - D4 - D5 - D6
INSTALLATION INSTRUCTIONS
GLASS DOOR WITH OVERPANEL AND SIDELIGHT



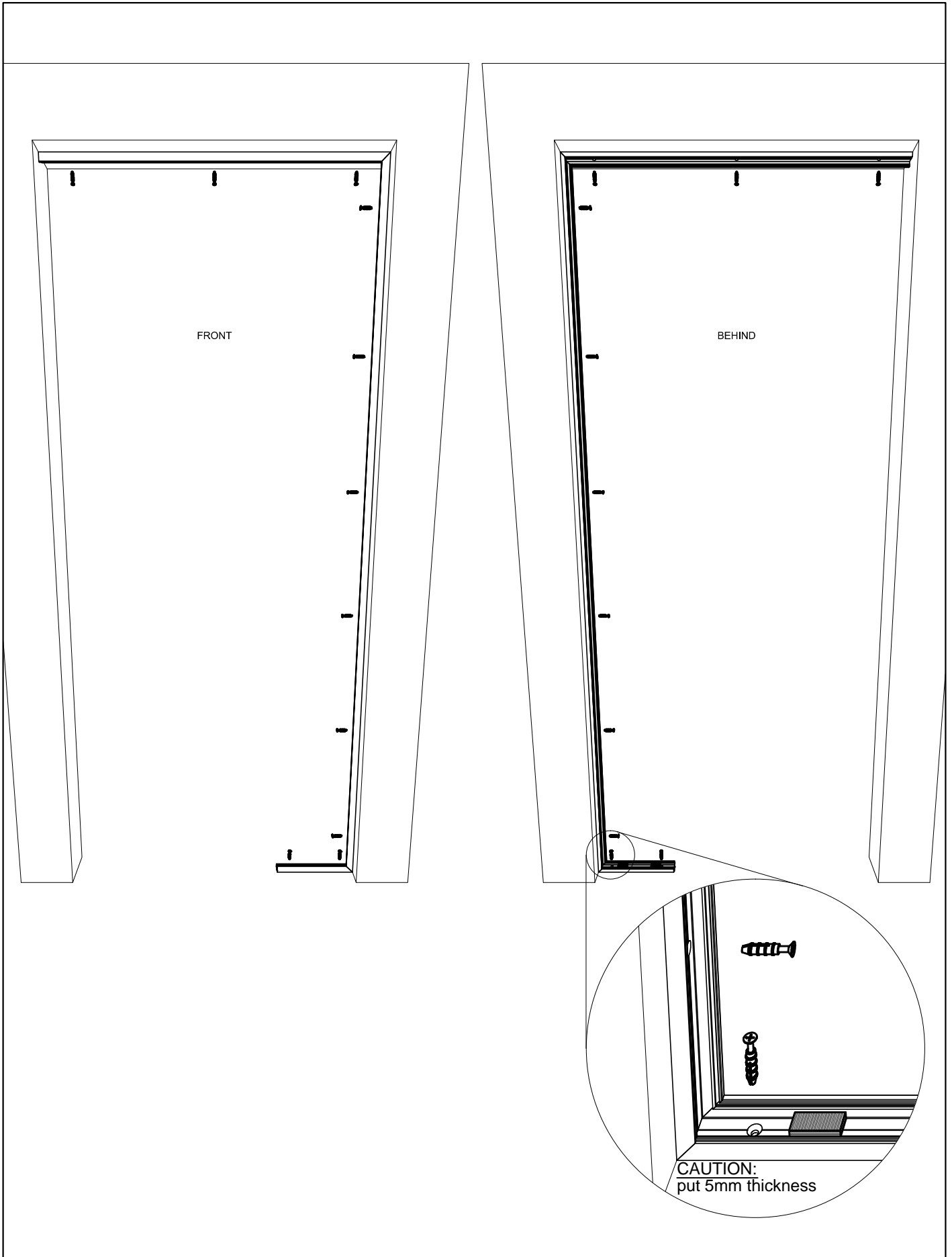
D3.01

ZENITH D3 - GLASS DOOR WITH OVERPANEL AND SIDELIGHT



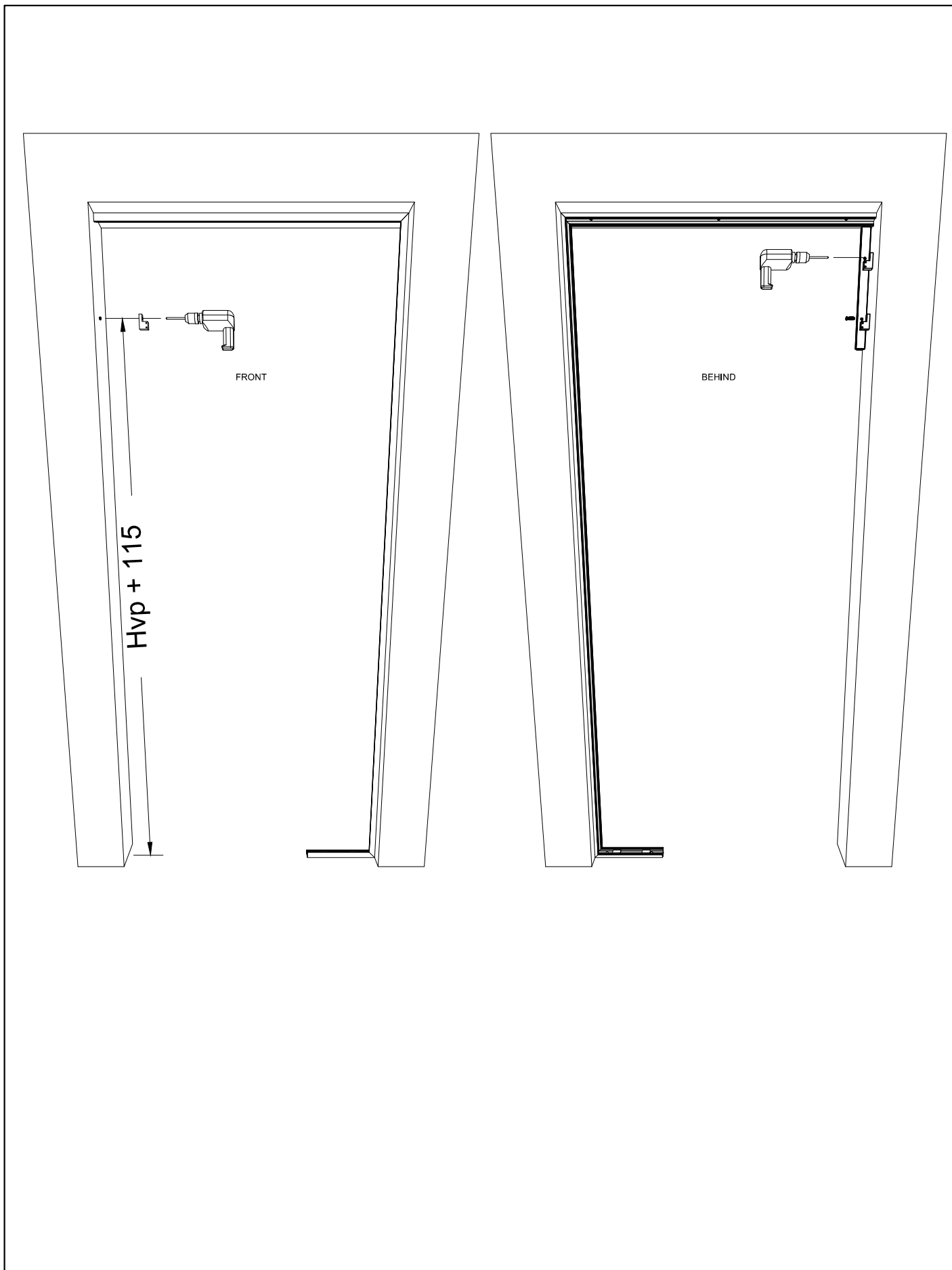
D3.02

ZENITH D3 - PREPARING FOR THE BRACKETS ("L" SHAPED)
TO THE WALL MOUNTING



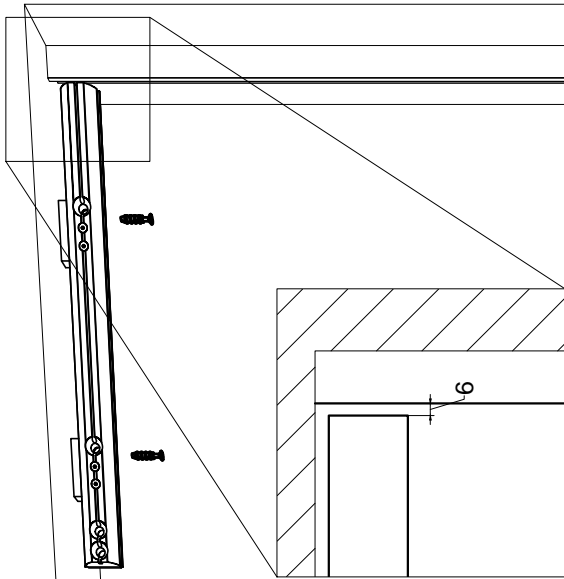
D3.03

ZENITH D3 - FIX THE PROFILE AT THE WALL AND ON THE FLOOR



D3.04

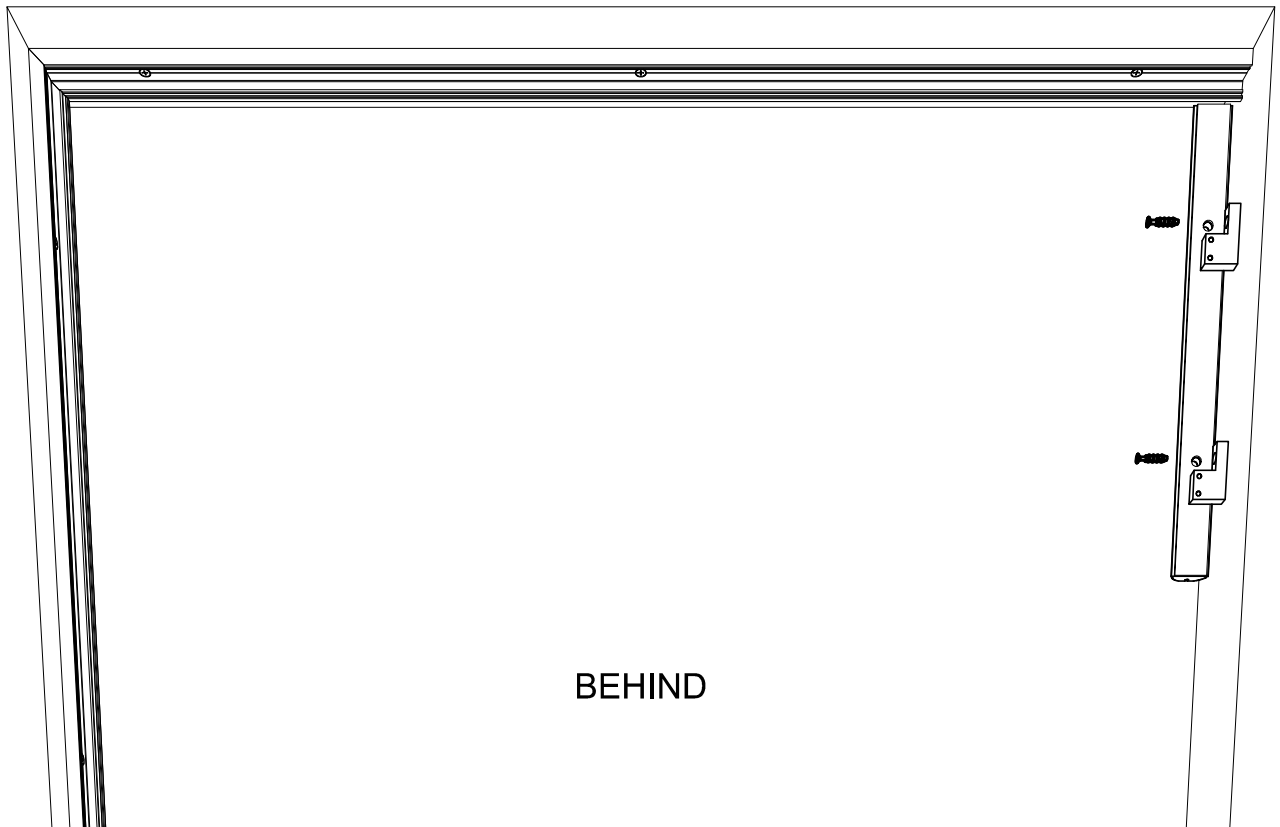
ZENITH D3 - POSITION OF THE FIRST HOLE OF THE ARTICLE SF KIT ZD 00



CAUTION:
Leave 6mm thickness between
the bracket and the aluminium bar

SEE CT.D3.10

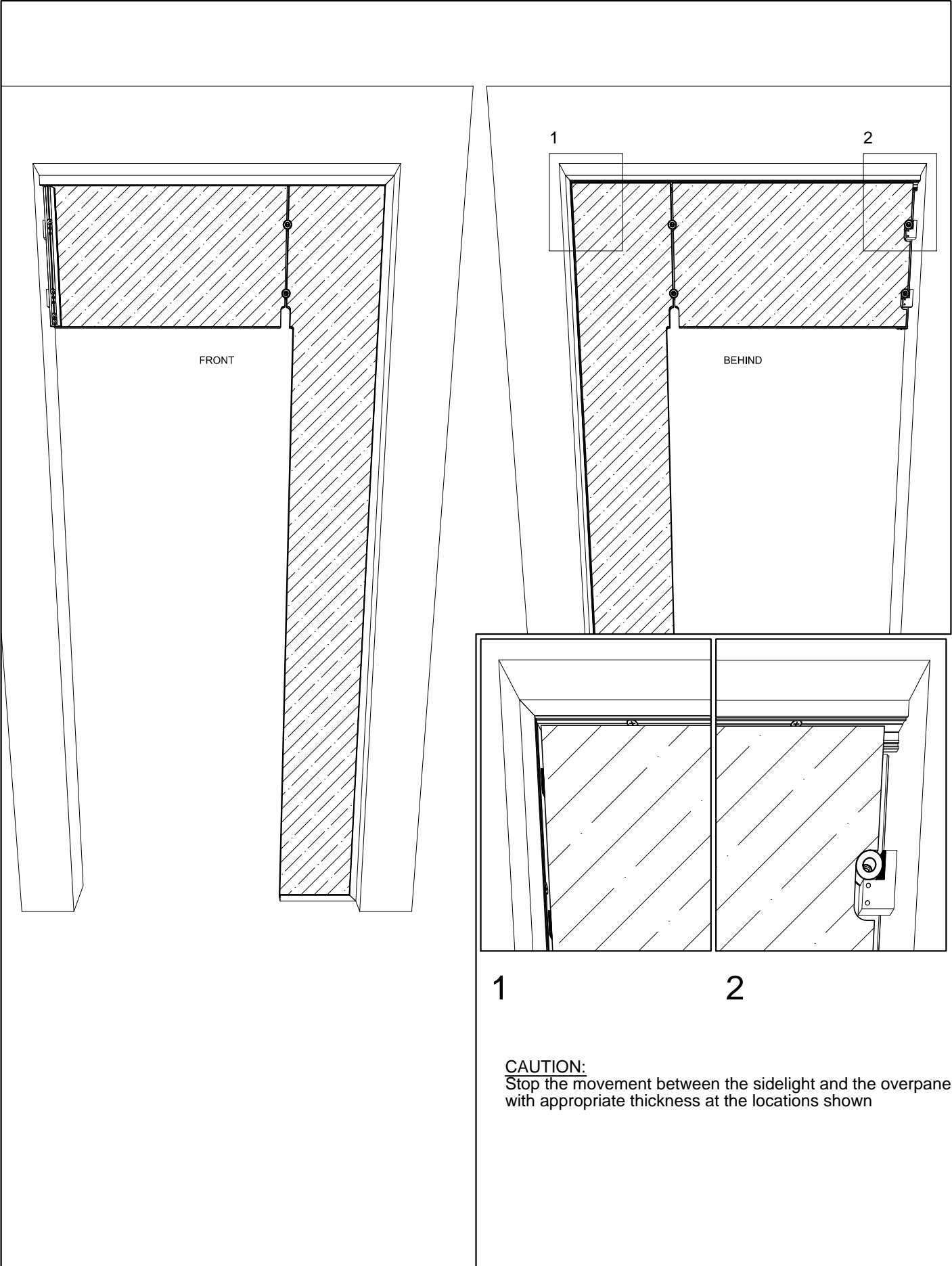
FRONT

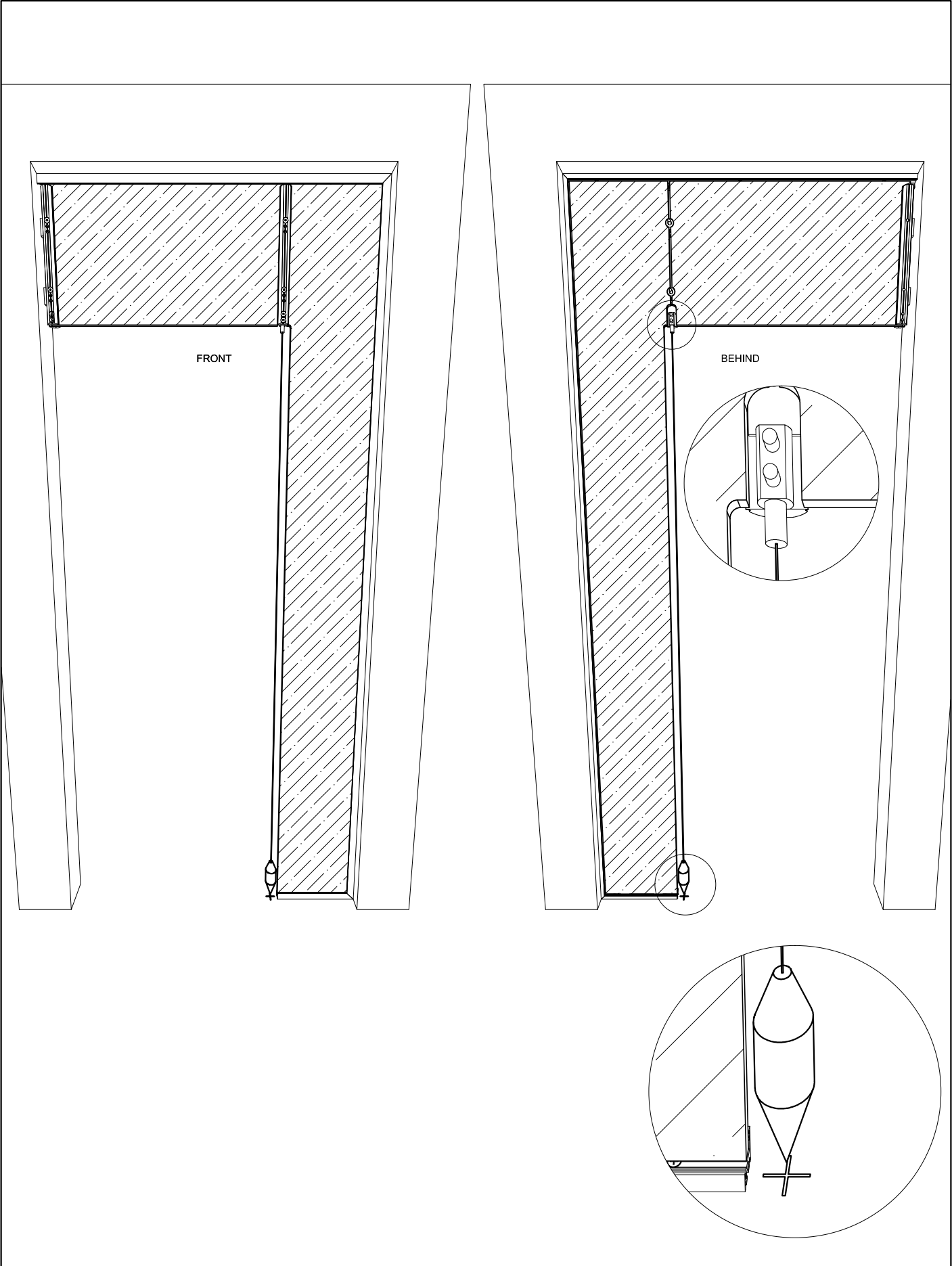


BEHIND

D3.05

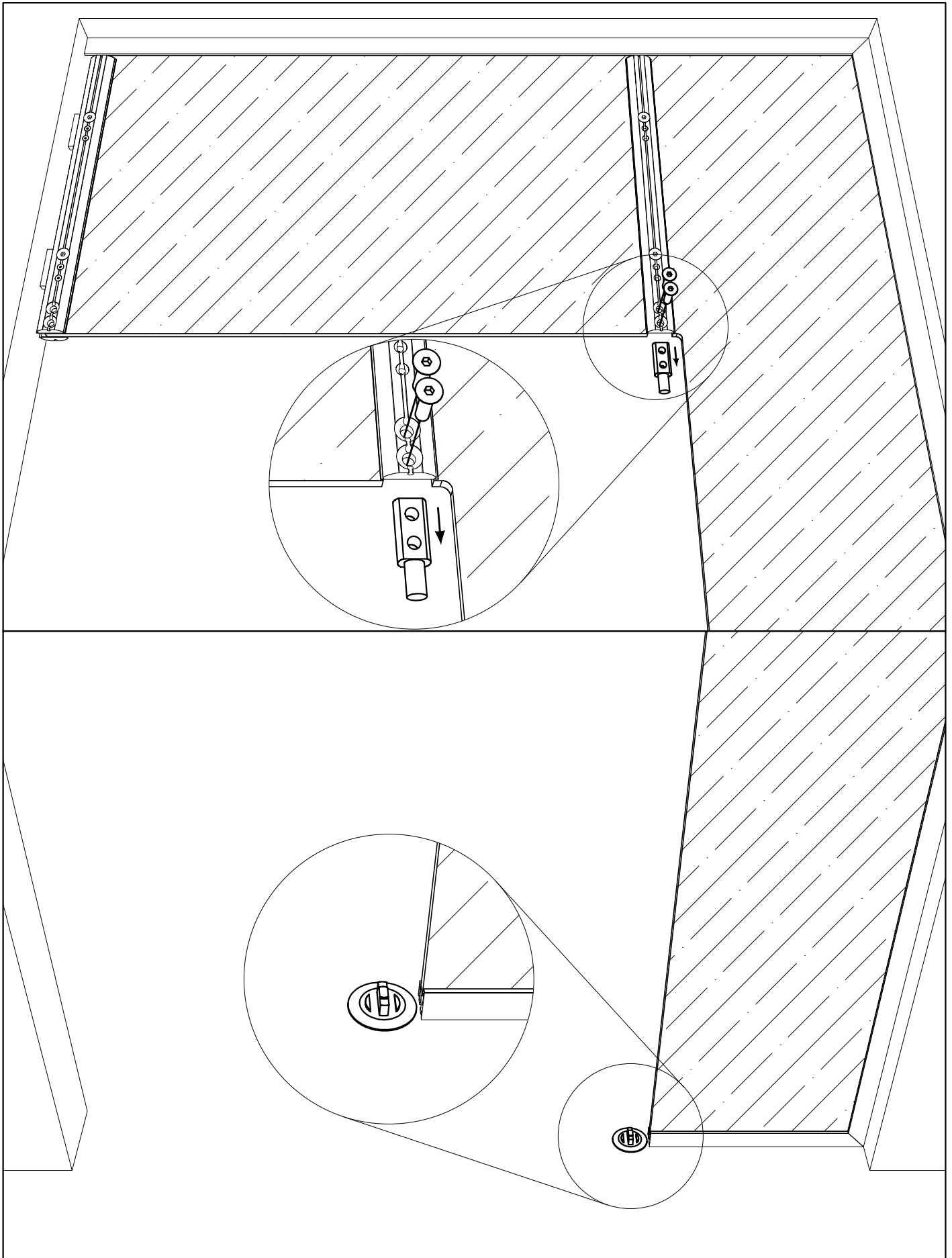
ZENITH D3 - FIX THE LEFT BRACKETS AT THE WALL





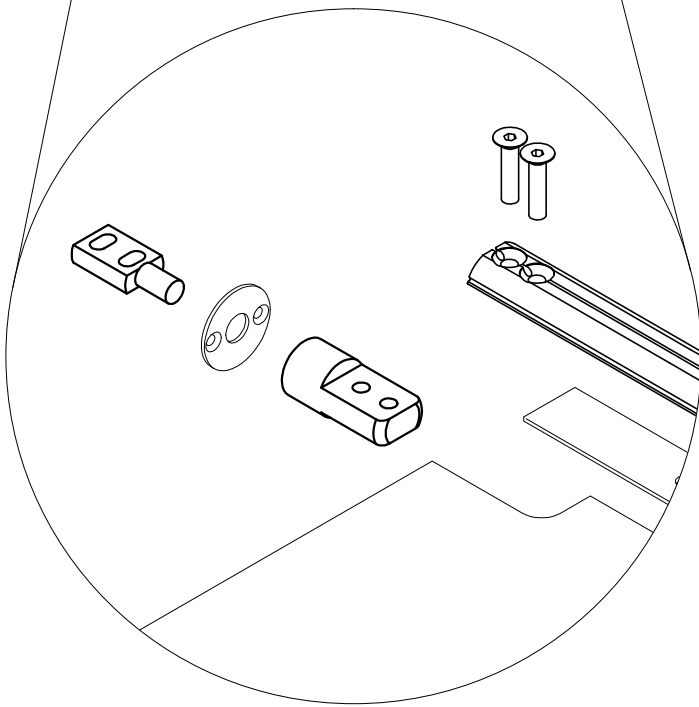
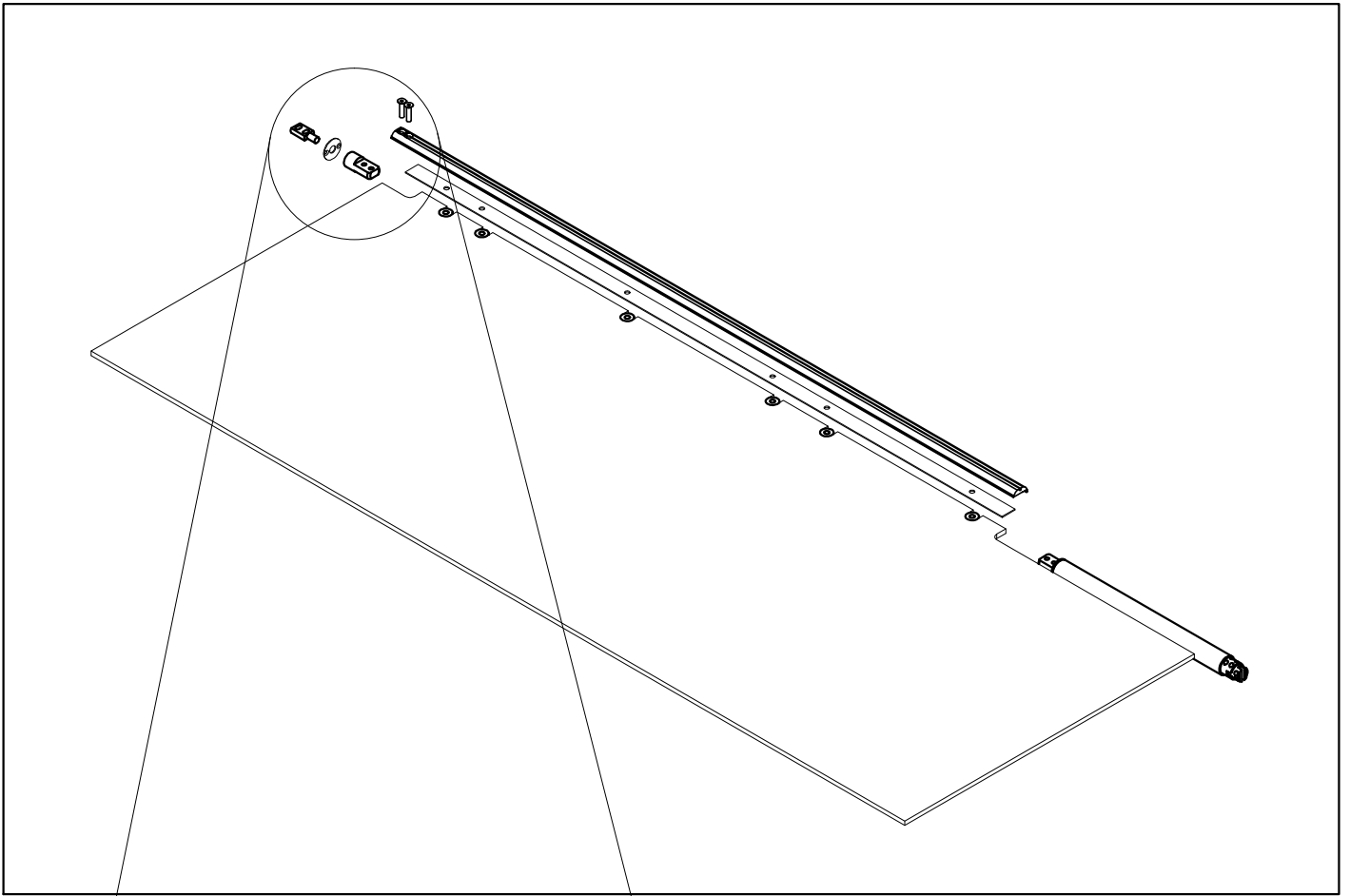
D3.07

ZENITH D3 - MOUNTING THE ALUMINIUM BARS AND THE PIVOT
AND FINDING THE DOOR CLOSER CENTRE ON THE
GROUND

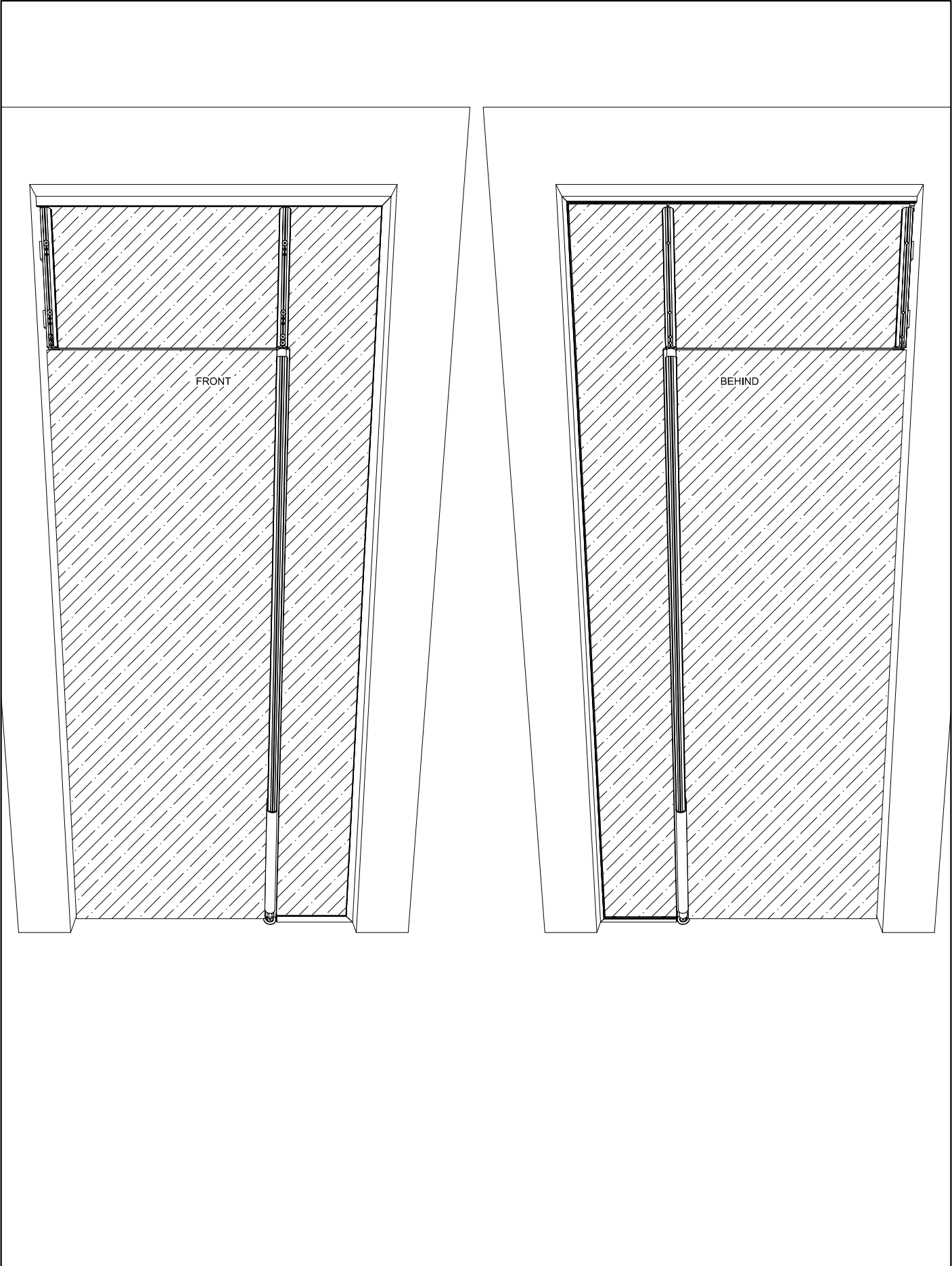


D3.08

ZENITH D3 - REMOVE THE TOP PIVOT AND SETTING THE BOTTOM
ACCESSORY ON THE GROUND
(see installation instructions of the door)

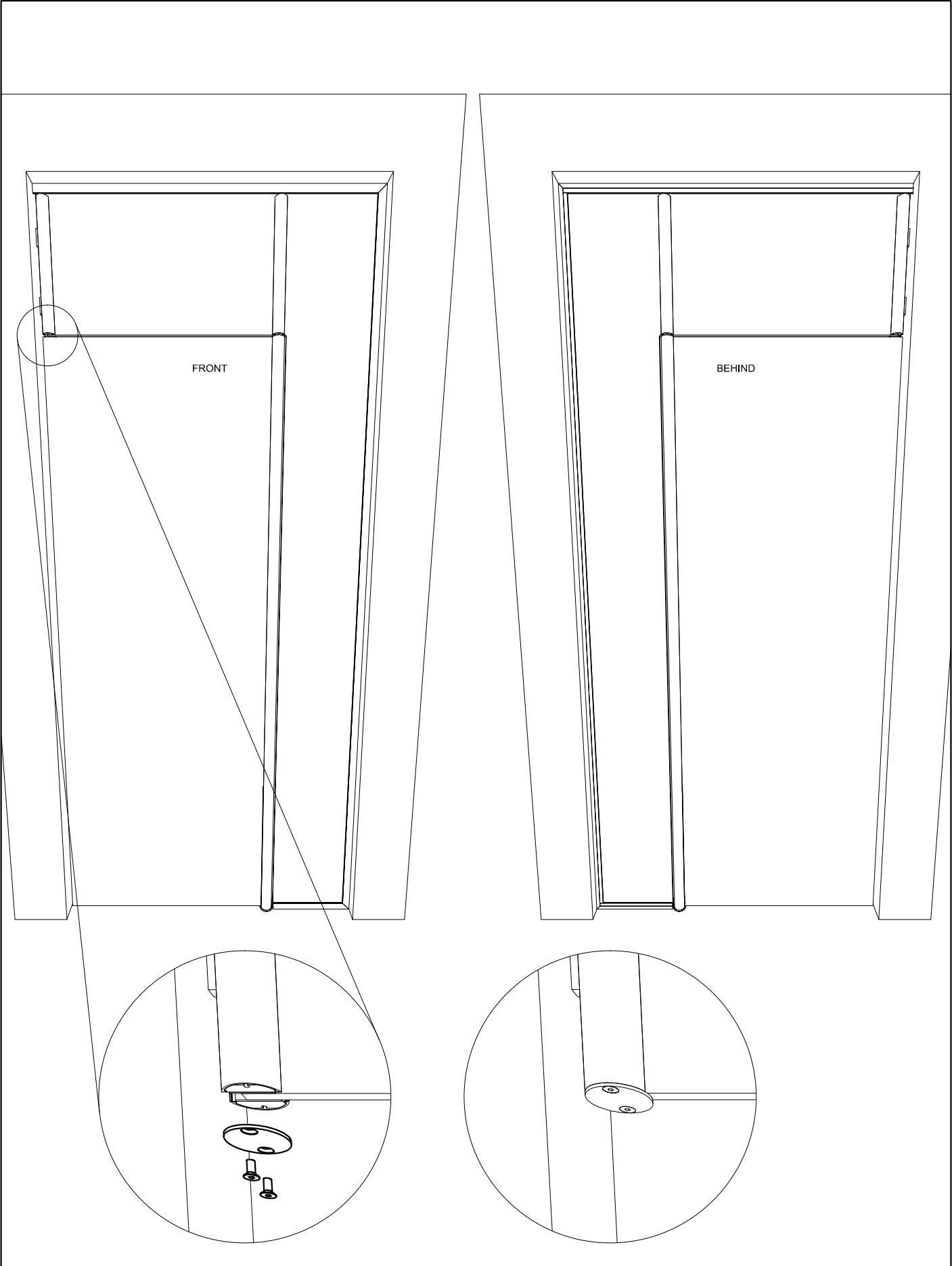


D3.09	ZENITH D3 - MOUNTING DOOR CLOSER, ALUMINIUM BARS AND ACCESSORIES ON THE GLASS DOOR
-------	--



D3.10

ZENITH D3 - INSTALL THE DOOR AND MOUNTING THE REMAINING ALUMINIUM BARS



D3.11

ZENITH D3 - MOUNTING COVERPLATES AND THE REMAINING
PROFILES FOR FIXED PANELS